



Echo/Surround Processor

PT2398

Description

PT2398 is an echo/surround audio processor IC utilizing CMOS Technology and is functionally compatible with ES56028. Equipped with ADC and DAC, it uses digital processing to generate the delay time, which in turn, can be controlled manually or by a micro controller. PT2398 also features an internal VCO circuit in the system clock, thereby, making the frequency easily adjustable. The pin assignments and application circuit are optimized for easy PCB layout and cost saving advantage.

Features

- CMOS Technology
- Least External Components
- Auto Muting Function
- Auto Reset Function
- Low Noise
- Low Distortion
- Wide Range Time Delay Settings
- Can be Controlled Manually or by Micro Controller
- External Adjustable VCO
- Very Low Operating Current (Typ. 30 mA)

Applications

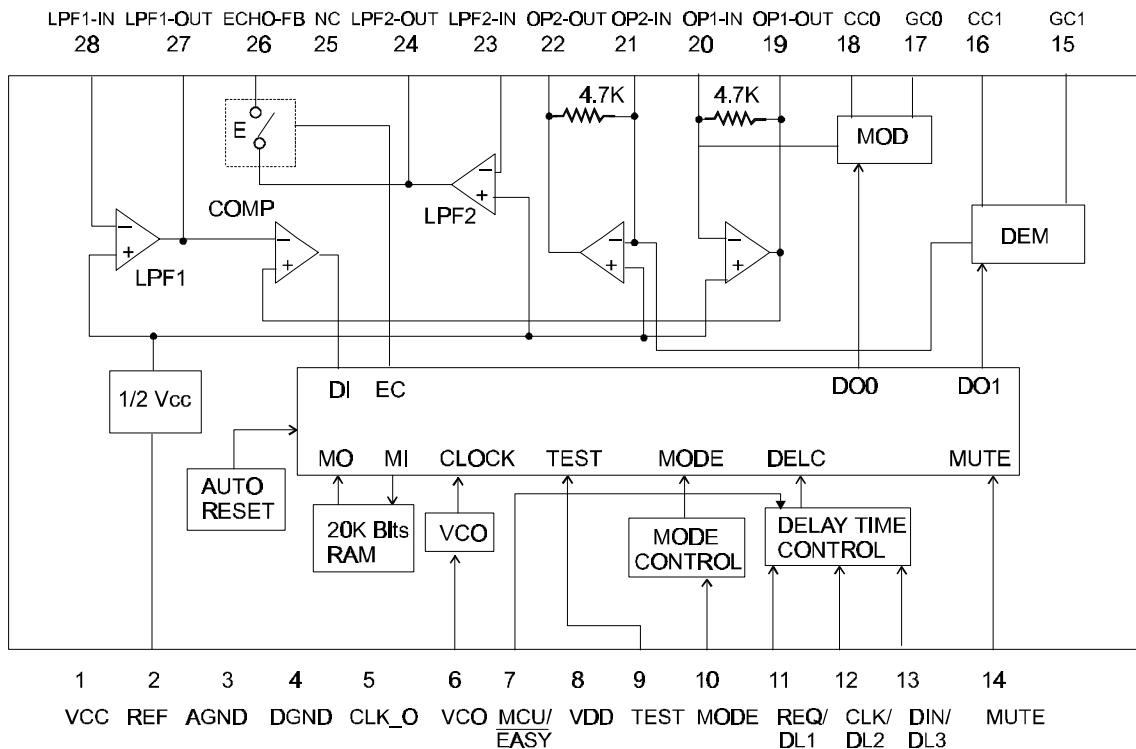
- Video Tape Recorder
- Video Compact Disk
- Television
- CD Player
- Car Stereo
- KARAOKE Mixer
- Electronic Musical Instrument
- Audio Equipment with Echo/Surround Processor



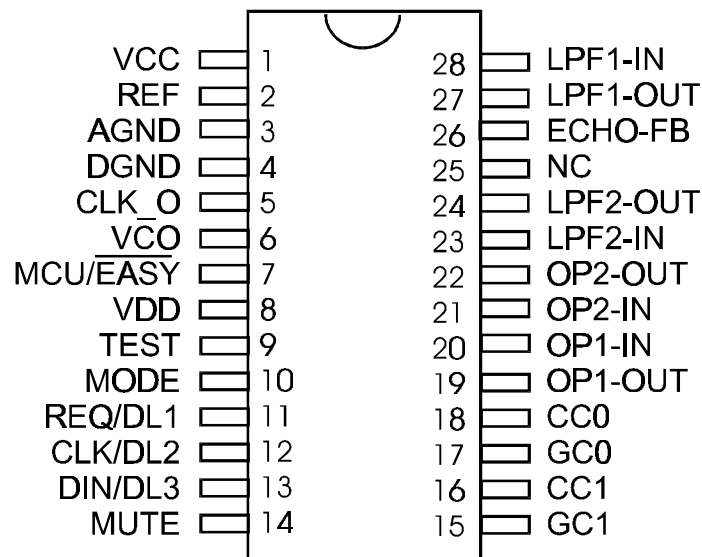
Echo/Surround Processor

PT2398

Block Diagram



Pin Configuration



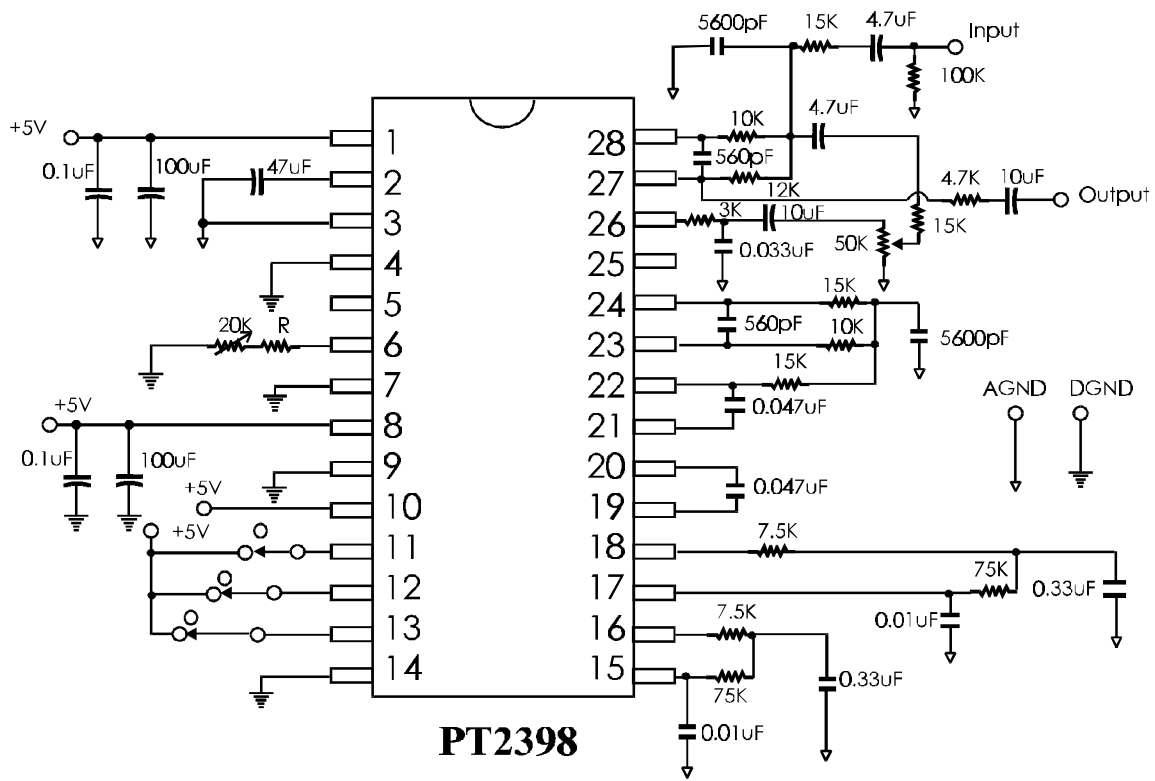
PT2398



Echo/Surround Processor

PT2398

PT2398 Echo Application Circuit



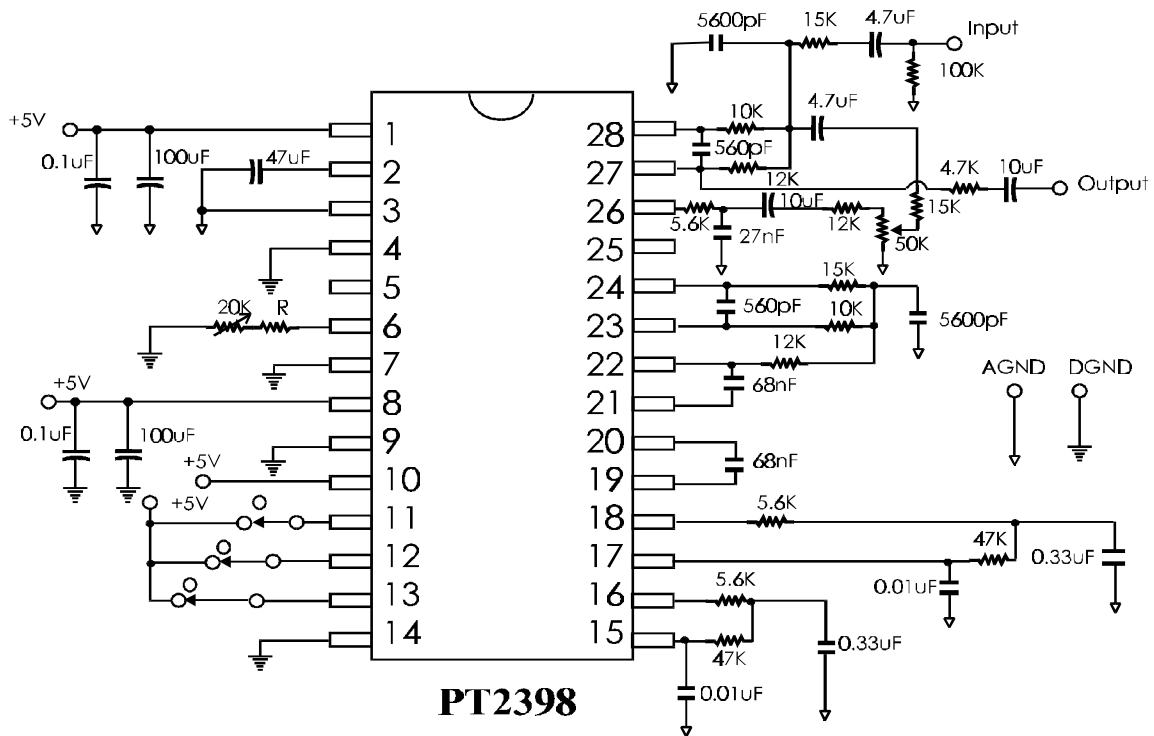
Note: External Resistor having a value of 10 K Ohms to 50 K Ohms may be used. The recommended Resistor Value (R) is 10 K Ohms. When the value of the Resistor (R) increases, the range of the Delay Time also increases.



Echo/Surround Processor

PT2398

PT2398 Application Circuit (ERSO-compatible)



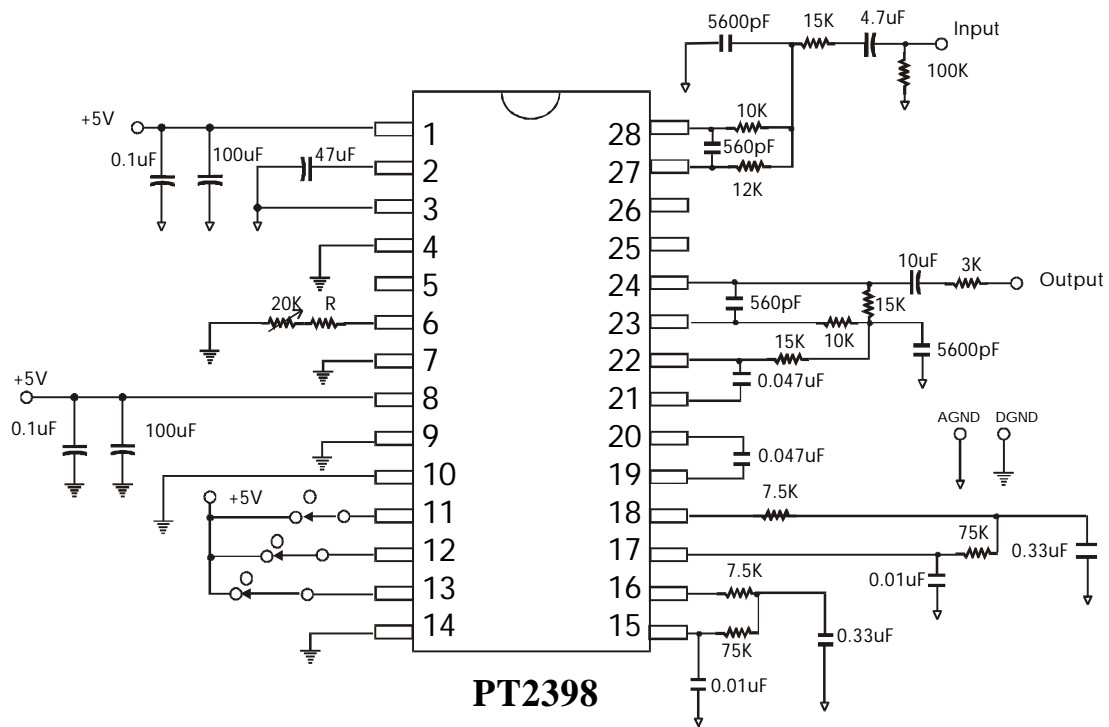
Note: The performance of PT2398 in this application circuit is similar to ES56033



Echo/Surround Processor

PT2398

PT2398 Surround Application Circuit



Note: External Resistor having a value of 10 K Ohms to 50 K Ohms may be used. The recommended Resistor Value (R) is 10 K Ohms. When the value of the Resistor (R) increases, the range of the Delay Time also increases.

Order Information

Part Number	Package
PT2398	28 Pins, DIP (600 mil)