

PLEASE CHECK WWW.MOLEX.COM FOR LATEST PART INFORMATION

Part Number: **0357181810**
Status: **Active**
Description: 4.75mm (.187") Safe Lock Terminal, Quick Disconnect, Female, 0.30mm (.012") Tab Thickness, Wire Range 18-20 AWG (0.80-0.52mm²), Pre-Tin Plated

Documents:

[Drawing \(PDF\)](#) [Product Specification PS-35161-002 \(PDF\)](#)
[Product Specification PS-35161-001 \(PDF\)](#) [RoHS Certificate of Compliance \(PDF\)](#)

Agency Certification

CSA	LR95446
TUV	R9451159
UL	E92853

General

Product Family	Quick Disconnects
Series	35718
Crimp Quality Equipment	Yes
Product Name	Safelock
Type	Quick Disconnect

Physical

Barrel Type	Open
Gender	Female
Glow-Wire Compliant	No
Insulation	None
Lock to Mating Part	Yes
Material - Metal	Brass
Material - Plating Mating	Tin
Material - Plating Termination	Tin
Orientation	Straight
Packaging Type	Reel
Plating min: Mating (µin)	40
Plating min: Mating (µm)	1
Plating min: Termination (µin)	40
Plating min: Termination (µm)	1
Polarized to Mating Part	No
Tab Thickness	0.30mm (.012")
Tab Width	4.75mm (.187")
Temperature Range - Operating	-40°C to +105°C
Termination Interface: Style	Crimp or Compression
Wire Insulation Diameter	3.10mm (.122") max.
Wire Size AWG	18, 20
Wire Size mm ²	0.52 - 0.80

Electrical

Voltage - Maximum	250V
-------------------	------

Material Info

Reference - Drawing Numbers

Product Specification	PS-35161-001, PS-35161-002
Sales Drawing	SD-35718-001

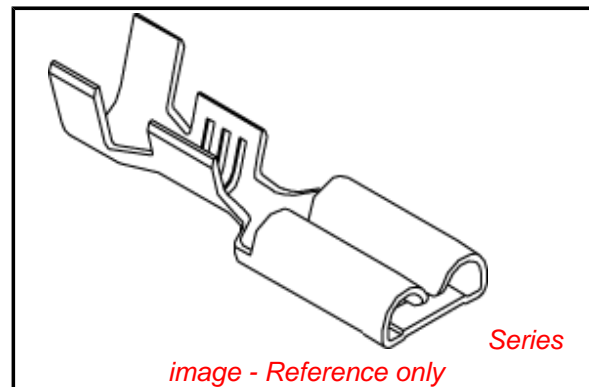


image - Reference only

EU RoHS

ELV and RoHS Compliant
REACH SVHC Contains SVHC: No
Halogen-Free Status

China RoHS



Need more information on product environmental compliance?

Email productcompliance@molex.com
 For a multiple part number RoHS Certificate of Compliance, [click here](#)

Please visit the [Contact Us](#) section for any non-product compliance questions.

Search Parts in this Series

35718Series

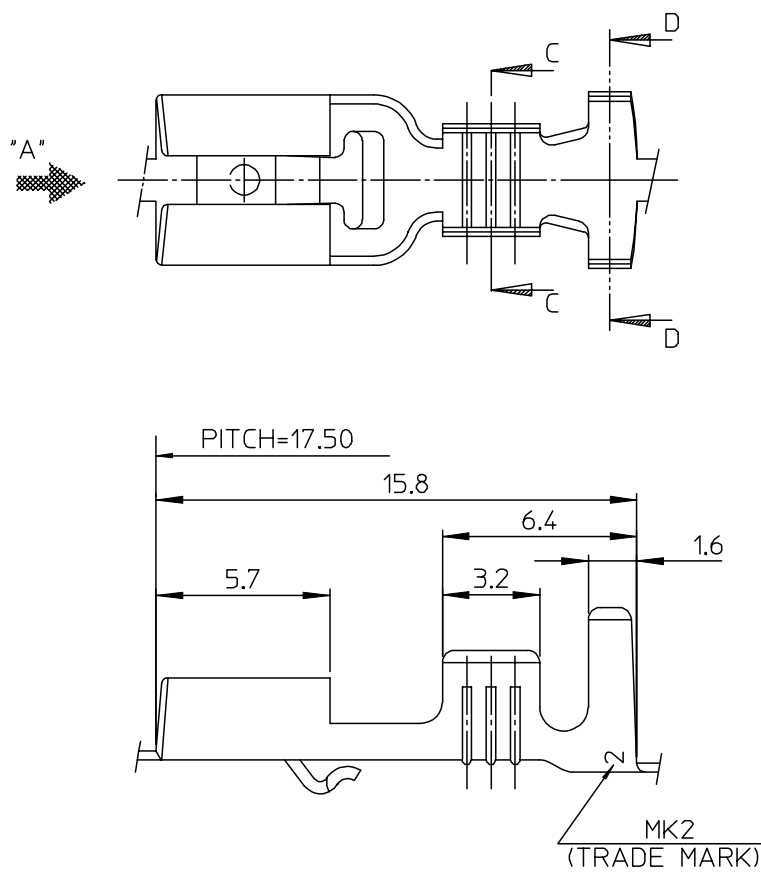
Use With

4.75mm (.187") Tab

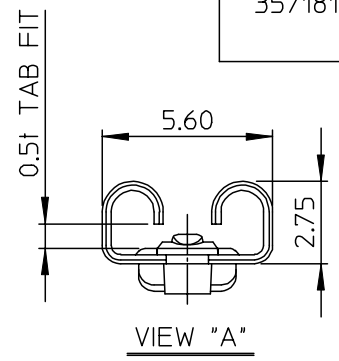
PLEASE CHECK WWW.MOLEX.COM FOR LATEST PART INFORMATION

DWG. NO. SD-35718-001
 SIMILAR ITEM
 PROJECT NO.
 DO NOT SCALE DRAWING DIMENSION IN METRIC

8 7 6 5 4 3 2 1

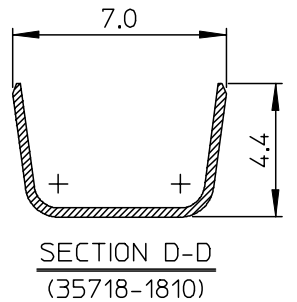
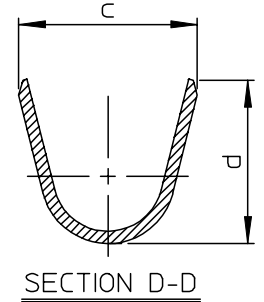
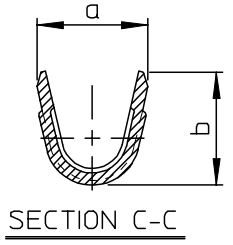


MATERIAL NO.	ENG NO.	a	b	c	d	WIRE RANGE
357181610	35718-1610	2.1	2.2	3.9	3.9	AWG #24-#22
357181710	35718-1710	3.2	3.4	5.3	5.2	AWG #20-#16
357181810	35718-1810	4.0	4.0	--	--	AWG #20-#20
						AWG #18-#20
						AWG #18-#18



NOTES

1. MATERIAL : BRASS,0.30mm THICKNESS
2. FINISH : PRE-PLATED TIN
3. MATING TAB THICKNESS: 0.5mm
4. RECOMMENDED LENGTH OF WIRE STRIP IS 4.5-5.0mm



REDRAWN ECN NO. KOR2004-0079 DRWN. C.B.CHIN 03/12/08 CHK: W.Y.YANG APPR: CW.LEE	DESCRIPTION MAJOR $\nabla = 0$ CRITICAL $\nabla C = 0$	GENERAL TOLERANCES: (UNLESS SPECIFIED)		SCALE 5:1	DESIGN UNITS <input checked="" type="checkbox"/> mm <input type="checkbox"/> INCH	THIRD ANGLE <input checked="" type="checkbox"/> THIRD ANGLE PROJECTION	DIMENSIONS: <input type="checkbox"/> mm <input type="checkbox"/> INCH <input checked="" type="checkbox"/> mm ONLY	SHT REV
		4 PLACES $\pm 0.$	mm INCH	DRAWN BY & DATE J.S.KANG 94/01/04	TITLE: .187 SAFE LOCK RECEPTACLE			
		3 PLACES $\pm 0.$	mm INCH	CHECKED BY & DATE B.K.CHOI 94/01/04				
		2 PLACES ± 0.30	mm INCH	APPROVED BY & DATE C.W.LEE 94/01/04	MOLEX INCORPORATED			
1 PLACE ± 0.30	mm INCH	CAD FILENAME S7181610AA.MI	MATERIAL NO. SEE CHART	DRAWING NO. SD-35718-001				SHEET NO. 1 OF 1
B	REV	DRAFT WHERE APPLICABLE MUST REMAIN WITHIN DIMENSIONS			THIS DRAWING CONTAINS INFORMATION THAT IS PROPRIETARY TO MOLEX INCORPORATED AND SHOULD NOT BE USED WITHOUT WRITTEN PERMISSION.			SIZE B