

PLEASE CHECK WWW.MOLEX.COM FOR LATEST PART INFORMATION

Part Number: [0476130101](#)
Status: **Active**
Overview: [battery connectors](#)
Description: 0.70mm (.028") Pitch Battery Connector, with Ribs, 8 circuits, Lead-free

Documents:

[3D Model](#) [RoHS Certificate of Compliance \(PDF\)](#)
[Drawing \(PDF\)](#)

General

Product Family	PCB Headers
Series	47613
Application	Board-to-Board
Comments	With ribs, Housing Diameter 12.15mm (.478")
Overview	battery connectors
Product Name	Battery Connector, Compression Connector

Physical

Breakaway	No
Circuits (Loaded)	8
Color - Resin	Black
Durability (mating cycles max)	5,000
First Mate / Last Break	No
Glow-Wire Compliant	No
Guide to Mating Part	Yes
Keying to Mating Part	Yes
Lock to Mating Part	No
Material - Metal	Copper Alloy
Material - Plating Mating	Gold
Material - Plating Termination	Gold
Material - Resin	Nylon
Number of Rows	1
Orientation	Vertical
PCB Locator	Yes
PCB Retention	Yes
Packaging Type	Tray
Pitch - Mating Interface (in)	0.028 In
Pitch - Mating Interface (mm)	0.70 mm
Plating min: Mating (µin)	15
Plating min: Mating (µm)	0.38
Plating min: Termination (µin)	50
Plating min: Termination (µm)	1.27
Polarized to Mating Part	Yes
Polarized to PCB	Yes
Temperature Range - Operating	-40°C to +85°C
Termination Interface: Style	Through Hole

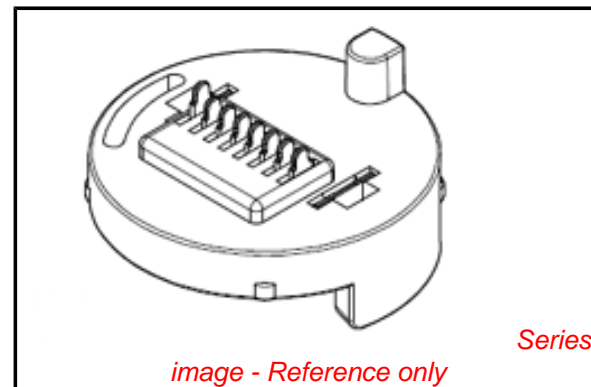
Electrical

Current - Maximum per Contact	1.5A, 1A
Voltage - Maximum	200V

Material Info

Reference - Drawing Numbers

Sales Drawing	SD-47613-001
---------------	--------------



EU RoHS

**ELV and RoHS
Compliant**
**REACH SVHC
Not Reviewed**
**Halogen-Free
Status**

China RoHS



**Need more information on product
environmental compliance?**

Email productcompliance@molex.com
 For a multiple part number RoHS Certificate of
 Compliance, [click here](#)

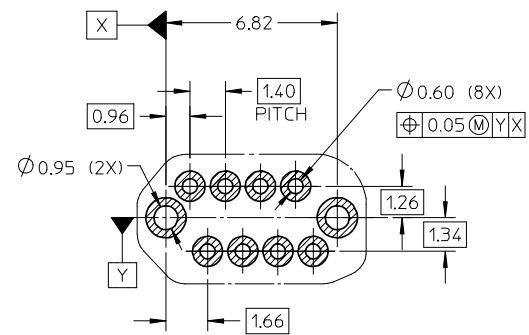
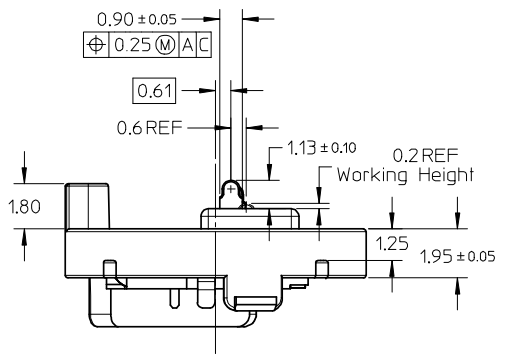
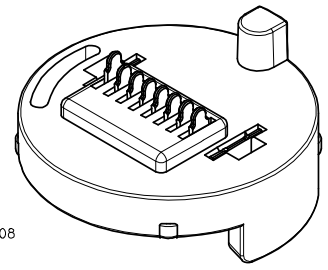
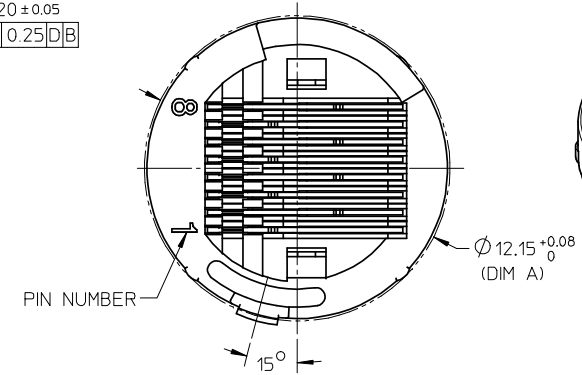
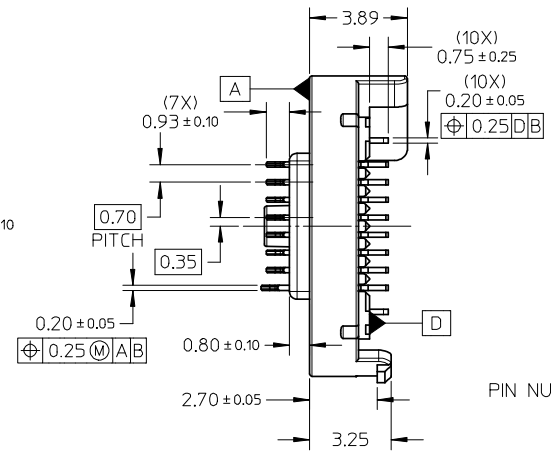
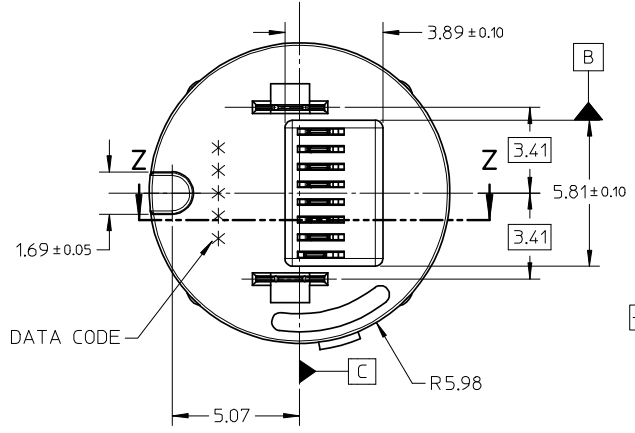
Please visit the [Contact Us](#) section for any
 non-product compliance questions.

Search Parts in this Series

47613Series

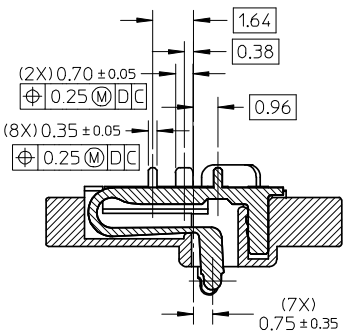
This document was generated on 05/26/2010

PLEASE CHECK WWW.MOLEX.COM FOR LATEST PART INFORMATION



RECOMMENDED PCB LAYOUT
(DEFAULT TOLERANCE: ± 0.05)
BOTTOM VIEW

- NOTE:
- MATERIAL:
HOUSING: NYLON, GLASS FILLED, UL 94V-0, COLOR IS BLACK
TERMINAL: COPPER ALLOY, 0.20 mm
FITTING_NAIL: COPPER ALLOY, 0.20mm
 - FINISH:
CONTACT AREA: 15 MICRO INCHES GOLD PLATING OVER 50 MICRO INCHES MIN NICKEL
SOLDER AREA: GOLD FLASH OVER 50 MICRO INCHES MIN NICKEL
RESET AREA: 50 MICRO INCHES MIN NICKEL
FITTING_NAIL: 100 MICRO INCHES MIN TIN PLATING OVER 50 MICRO INCHES MIN NICKEL
 - PRODUCT SPECIFICATION: PS-47613-001
 - DATE CODE: * ** * (5 DIGITS)
DAY
MONTH
YEAR
 - PIN CONFIGURATION IS AS FOLLOWS:
PIN1--GND
PIN2--SPI-sclt
PIN3--RESET
PIN4--IRD (This pin is for insert detection)
PIN5--SPI-sdo (omap data out)
PIN6--SPI-sdi (omap data in)
PIN7--SPI-sen
PIN8--VDD



SECTION Z-Z

RELEASE
EC NO: SH2008-0364
DRWN: JYANG13
CHKD: YLZHU
APPR: HWANG
2008/01/17
2008/02/21
2008/02/21

QUALITY SYMBOLS
▽=0
∇=0

	GENERAL TOLERANCES (UNLESS SPECIFIED)	
	mm	INCH
4 PLACES	± ---	± ---
3 PLACES	± ---	± ---
2 PLACES	± 0.15	± ---
1 PLACE	± 0.25	± ---
ANGULAR ± 3 °		

DIMENSION STYLE		SCALE	DESIGN UNITS	THIRD ANGLE PROJECTION
MM ONLY		5:1	METRIC	☉
DRAWN BY	DATE	TITLE		
YLZHU	2007/07/11	SALES DRAWING FOR 8 PIN ACCESSORY CONNECTOR		
CHECKED BY	DATE			
XIXU	2007/07/11			
APPROVED BY	DATE			
HWANG	2007/07/11	MOLEX INCORPORATED		
MATERIAL NO.	DOCUMENT NO.	SD-47613-001		
SEE TABLE	SHEET NO. 1 OF 1			

476130101	12.15 +0.08/0	476130102	476130103	476130004
476130001	NONE(Without Ribs)	476130002	476130203	
FINISH GOODS	DIM A	HOUSING	TERMINAL	FITTING-NAIL

DRAFT WHERE APPLICABLE
MUST REMAIN WITHIN DIMENSIONS

THIS DRAWING CONTAINS INFORMATION THAT IS PROPRIETARY TO MOLEX INCORPORATED AND SHOULD NOT BE USED WITHOUT WRITTEN PERMISSION