

**PLEASE CHECK WWW.MOLEX.COM FOR LATEST PART INFORMATION**

**Part Number:** [0449142401](#)  
**Status:** **Active**  
**Overview:** [microfit\\_30](#)  
**Description:** 3.00mm (.118") Pitch Micro-Fit 3.0 CPI™ Header, Compliant Pin Interface, Dual Row, Vertical, 24 Circuits, Tin (Sn) Plating, Glow Wire Compatible

**Documents:**

[3D Model](#) [Product Specification PS-43045 \(PDF\)](#)  
[Drawing \(PDF\)](#) [RoHS Certificate of Compliance \(PDF\)](#)

**Agency Certification**

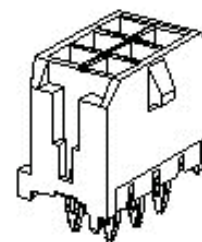
CSA LR19980  
TUV R72081037  
UL E29179

**General**

Product Family PCB Headers  
Series [44914](#)  
Application Wire-to-Board  
Application Tooling Part Link 622008400  
Comments Glow Wire Equivalent Part Number [449142401](#). High Temperature, Square Pin  
Overview [microfit\\_30](#)  
Product Literature Order No USA-106  
Product Name Micro-Fit 3.0 CPI™

**Physical**

Breakaway No  
Circuits (Loaded) 24  
Circuits (maximum) 24  
Color - Resin Black  
Durability (mating cycles max) 30  
Flammability 94V-0  
Glow-Wire Compliant Yes  
Material - Metal High Performance Alloy (HPA)  
Material - Plating Mating Tin  
Material - Plating Termination Tin  
Material - Resin High Temperature Thermoplastic  
Number of Rows 2  
Orientation Vertical  
PCB Locator Yes  
PCB Retention Yes  
Packaging Type Tray  
Pitch - Mating Interface (in) 0.118 In  
Pitch - Mating Interface (mm) 3.00 mm  
Plating min: Mating (µin) 200  
Plating min: Mating (µm) 5  
Plating min: Termination (µin) 200  
Plating min: Termination (µm) 5  
Polarized to PCB Yes  
Shrouded Fully  
Stackable No  
Surface Mount Compatible (SMC) No  
Temperature Range - Operating -40°C to +105°C  
Termination Interface: Style Through Hole - Compliant Pin



Series

image - Reference only

**EU RoHS**

**ELV and RoHS Compliant**  
**REACH SVHC Contains SVHC: No**  
**Halogen-Free Status**

**China RoHS**



**Halogen-Free**

**Need more information on product environmental compliance?**

Email [productcompliance@molex.com](mailto:productcompliance@molex.com)  
For a multiple part number RoHS Certificate of Compliance, [click here](#)

Please visit the [Contact Us](#) section for any non-product compliance questions.

**Search Parts in this Series**

[44914Series](#)

**Mates With**

[43025-2400](#)

**Application Tooling | FAQ**

*Tooling specifications and manuals are found by selecting the products below. Crimp Height Specifications are then contained in the Application Tooling Specification document.*

**Global**

Description	Product #
Micro-Fit™	<a href="#">0622008400</a>
Compliant Pin	
Insertion Flat Rock	
Tool	

**Electrical**

Current - Maximum per Contact

5A

Voltage - Maximum

250V

**Material Info****Reference - Drawing Numbers**

Packaging Specification

PK-70873-0314

Product Specification

PS-43045, RPS-43045-003, RPS-43045-004

Sales Drawing

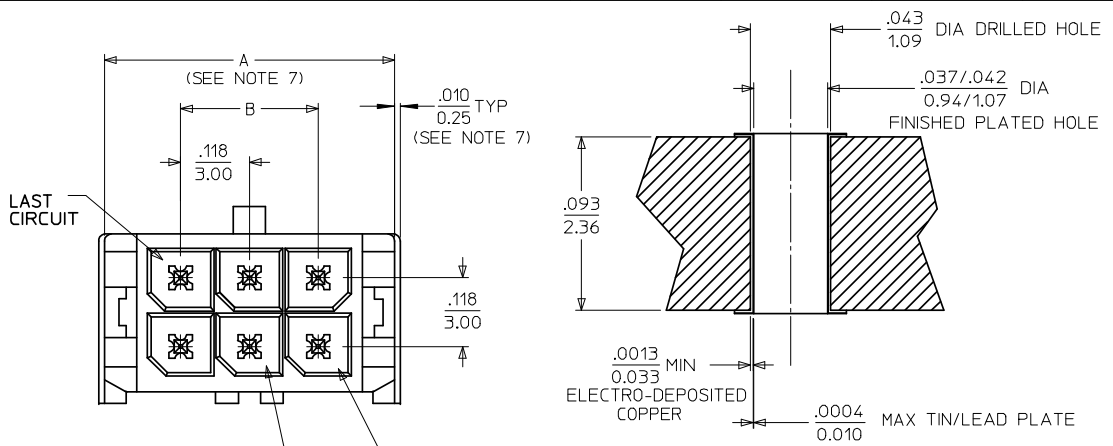
SD-44914-001

This document was generated on 05/24/2010

**PLEASE CHECK [WWW.MOLEX.COM](http://WWW.MOLEX.COM) FOR LATEST PART INFORMATION**

13 12 11 10 9 8 7 6 5 4 3 2 1

J  
I  
H  
G  
F  
E  
D  
C  
B  
A

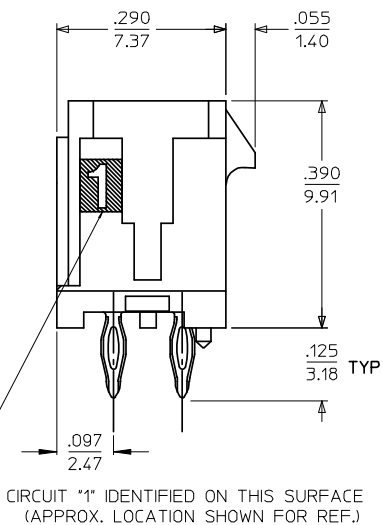
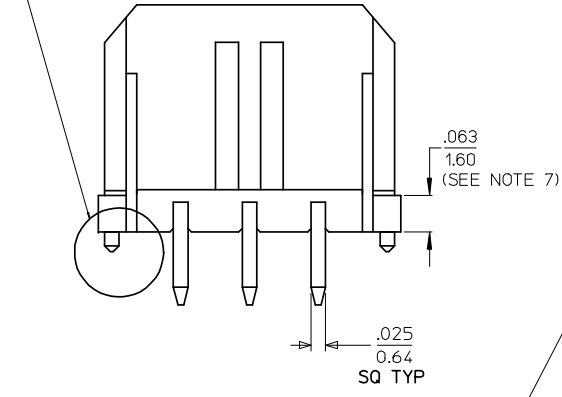


SECTION Z-Z  
SCALE : 20/1

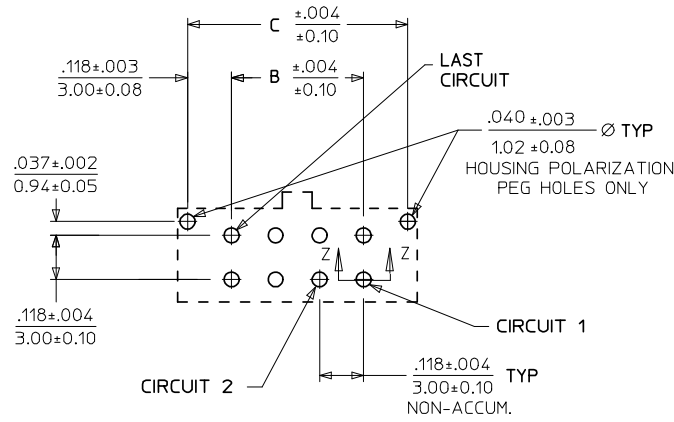
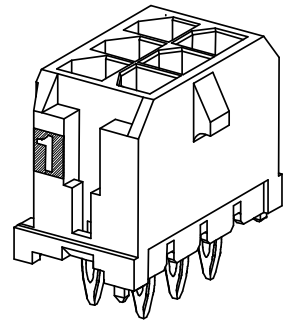
	FINISH: A	FINISH: B	FINISH: C
CKTS	MATERIAL NO:	MATERIAL NO:	MATERIAL NO:
02	44914-0201	44914-0202	44914-0203
04	44914-0401	44914-0402	44914-0403
06	44914-0601	44914-0602	44914-0603
08	44914-0801	44914-0802	44914-0803
10	44914-1001	44914-1002	44914-1003
12	44914-1201	44914-1202	44914-1203
14	44914-1401	44914-1402	44914-1403
16	44914-1601	44914-1602	44914-1603
18	44914-1801	44914-1802	44914-1803
20	44914-2001	44914-2002	44914-2003
22	44914-2201	44914-2202	44914-2203
24	44914-2401	44914-2402	44914-2403

CKTS	A (SEE NOTE 7)	B	C
02	.262 6.65	NA	.236 6.00
04	.380 9.65	.118 3.00	.354 9.00
06	.498 12.65	.236 6.00	.472 12.00
08	.616 15.65	.354 9.00	.591 15.00
10	.734 18.65	.472 12.00	.709 18.00
12	.852 21.65	.591 15.00	.827 21.00
14	.970 24.65	.709 18.00	.945 24.00
16	1.088 27.65	.827 21.00	1.063 27.00
18	1.206 30.65	.945 24.00	1.181 30.00
20	1.325 33.65	1.063 27.00	1.299 33.00
22	1.443 36.65	1.181 30.00	1.417 36.00
24	1.561 39.65	1.299 33.00	1.535 39.00

NOTE : (2) POLARIZATION PEGS ARE SHOWN. HOWEVER, ASSEMBLIES MAY BE MANUFACTURED WITH (1) PEG ONLY.



CIRCUIT "1" IDENTIFIED ON THIS SURFACE (APPROX. LOCATION SHOWN FOR REF.)



PCB LAYOUT: COMPONENT SIDE  
RECOMMEND PCB THICKNESS: .093/2.36

PCB LAYOUT: 2 CKT HEADER

NOTES:

- HOUSING MATERIAL: GLASS FILLED LIQUID CRYSTAL POLYMER, UL94V-0, COLOR: BLACK  
TERMINAL MATERIAL: MODIFIED TIN/BRASS ALLOY
- FINISH: A = .000200/(0.0051) MIN. TIN OVER .000050/(0.0013) MIN. NICKEL PLATE.  
B = .000015/(0.00038) MINIMUM GOLD IN SELECTIVE AREA;  
.000060/(0.00152) MINIMUM TIN/LEAD (90/10) ON PCB TAILS,  
BOTH OVER .000050/(0.00127) MINIMUM NICKEL PLATE.  
C = .000030/(0.00076) MINIMUM GOLD IN SELECTIVE AREA;  
.000060/(0.00152) MINIMUM TIN/LEAD (90/10) ON PCB TAILS,  
BOTH OVER .000050/(0.00127) MINIMUM NICKEL PLATE.
- PRODUCT SPECIFICATION: PS-43045
- TRAY PACKAGED: SEE MOLEX DRAWING PK-70873-0314
- MATES WITH MICRO FIT (3.0) RECEPTACLE SERIES 43025
- HEADER INSTALLATION REQUIRES A MINIMUM FORCE OF 24LBS/(107 N) PER CIRCUIT DISTRIBUTED EQUALLY ACROSS THE ENTIRE HOUSING SURFACE.
- .010/0.25 OFFSETS ARE PRESENT ON ALL PARTS MANUFACTURED AFTER 11/1/2007, AND ON PARTS PRIOR TO 11/1/2007 THAT CONTAIN A GREEN DOT ON THE PRIMARY SHIPPING CARTON LABEL.
- THIS PART CONFORMS TO CLASS B REQUIREMENTS OF COSMETIC SPECIFICATION PS-45499-002.

ADD .097 DIM. NOTE 8 EC NO: UCP2008-0324 DRWN:MKI/PPER 2007/12/19 CHKD:SSOUSEK 2007/12/20 APPR:FSM/LTH 2007/12/21 H2 REV	QUALITY SYMBOLS ▽=0 ▽=0	GENERAL TOLERANCES (UNLESS SPECIFIED) <table border="1"> <thead> <tr> <th></th> <th>mm</th> <th>INCH</th> </tr> </thead> <tbody> <tr> <td>4 PLACES</td> <td>±---</td> <td>±---</td> </tr> <tr> <td>3 PLACES</td> <td>±---</td> <td>±.010</td> </tr> <tr> <td>2 PLACES</td> <td>±0.25</td> <td>±.014</td> </tr> <tr> <td>1 PLACE</td> <td>±0.36</td> <td>±---</td> </tr> </tbody> </table>		mm	INCH	4 PLACES	±---	±---	3 PLACES	±---	±.010	2 PLACES	±0.25	±.014	1 PLACE	±0.36	±---	DIMENSION STYLE IN/MM	SCALE ---	DESIGN UNITS METRIC	THIRD ANGLE PROJECTION
		mm	INCH																		
	4 PLACES	±---	±---																		
	3 PLACES	±---	±.010																		
2 PLACES	±0.25	±.014																			
1 PLACE	±0.36	±---																			
DRAWN BY BURLERSON 2001/08/30		DATE 2001/08/30		TITLE MICRO FIT HEADER VERTICAL COMPLIANT PIN TRAY PACKED																	
CHECKED BY MUELLER 2001/08/30		DATE 2001/08/30		MOLEX MOLEX INCORPORATED																	
APPROVED BY MARGULIS 2001/08/30		DATE 2001/08/30		DOCUMENT NO. SD-44914-001																	
DRAFT WHERE APPLICABLE MUST REMAIN WITHIN DIMENSIONS		SEE CHART		SHEET NO. 1 OF 1																	
THIS DRAWING CONTAINS INFORMATION THAT IS PROPRIETARY TO MOLEX INCORPORATED AND SHOULD NOT BE USED WITHOUT WRITTEN PERMISSION																					

12 11 10 9 8 7 6 5 4 3 2 1