



SEOUL SEMICONDUCTOR

WZ10150/Z1 www.DataSheet4U.com

High Efficiency, High Brightness LED

Z1 is made of ceramic high thermal conductive material and equipped with a spacious radiation plate. These features enable Z1 to emit bright light while maintaining its reliability longer in high temperatures. This can be extremely useful when designing for indoor and outdoor lighting and home appliances which are generic long-life applications. Z1 has a very low profile of just 1.2 mm. As such it is destined to be one of the most popular LEDs for various kinds of compact products well-matched to recent trends. The fields of application at which Z1 is targeted are display and refrigerator lighting, under cabinet lighting, security lighting, decorative recessed lighting and retro-fit bulbs.



Pure White (WZ10150)

Parameter	Value		
	min	Typ.	max
Luminous Flux	-	105 lm	-
Correlated Colour Temp.	-	6300 K	-
CRI	-	68	-
Forward Voltage	-	4.2 V	4.8 V
Forward Current	450 (@ T _j = 90°C) 800 (@ Pulse width 10ms, 1/10 duty)		
View Angle	120°		
Thermal Resistance	16.5(°C/W) / 11(°C/W)		
Power Dissipation	2.16 W		
Junction Temp.	125°C		
Operating Temp.	-30°C to +85°C		
Storage Temp.	-40°C to +100°C		
ESD Sensitivity	± 10,000V HBM		

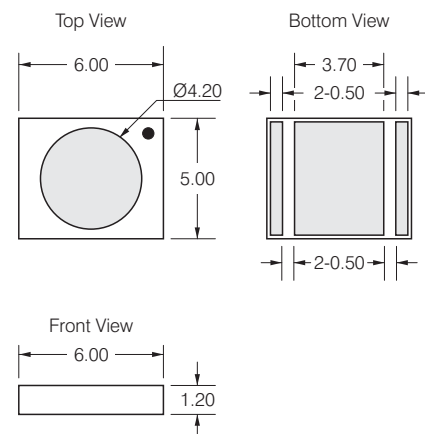
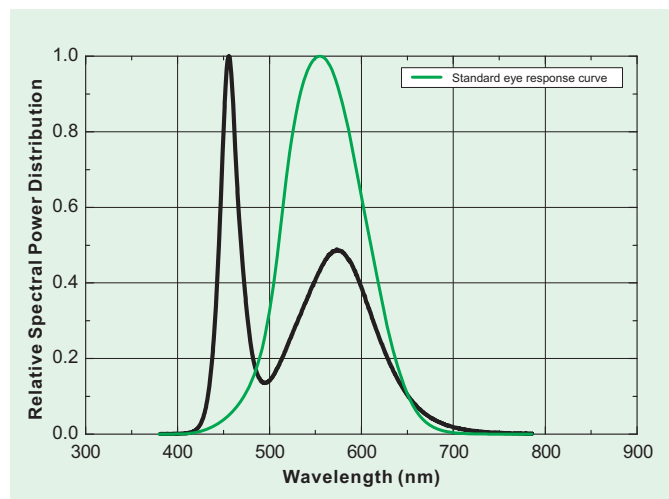
Features

- Super high Flux output and high Luminance
- Designed for high current operation
- Low thermal resistance
- SMT solderability
- Lead Free product
- RoHS compliant

Applications

- General lighting
- Architectural lighting
- Decorative lighting
- Security lighting
- Portable lighting and task lighting
- Automotive interior lighting
- Street lighting

Colour Spectrum, T_A=25°C



for more information, please contact :

Michael.Nel@avnet.co.za

Tel. (011) 809 6100

