

Smart High-Side Power Switch

Four Channels: 4 x 35mΩ

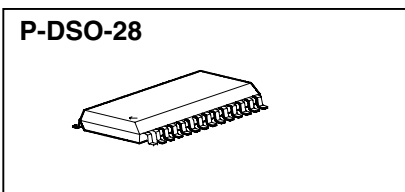
Advanced Current Sense

with **ReverSave™**

Product Summary

Operating Voltage	$V_{bb(on)}$	4.5 ...40V	
	Active channels	one	four parallel
On-state Resistance	R_{ON}	35mΩ	9mΩ
Nominal load current	$I_{L(NOM)}$	5.4A	11.1A
Current limitation	$I_{L(SCr)}$	21A	21A

Package



General Description

- N channel vertical power MOSFET with charge pump, ground referenced CMOS compatible input and diagnostic feedback, monolithically integrated in Smart SIPMOS® technology.
- Fully protected by embedded protection functions

Applications

- µC compatible high-side power switch with diagnostic feedback for 12V and 24V grounded loads
- All types of resistive and capacitive loads
- Most suitable for loads with high inrush currents, so as lamps
- Replaces electromechanical relays, fuses and discrete circuits

Basic Functions

- Very low standby current
- Improved electromagnetic compatibility (EMC)
- CMOS compatible input
- Stable behaviour at undervoltage
- Wide operating voltage range

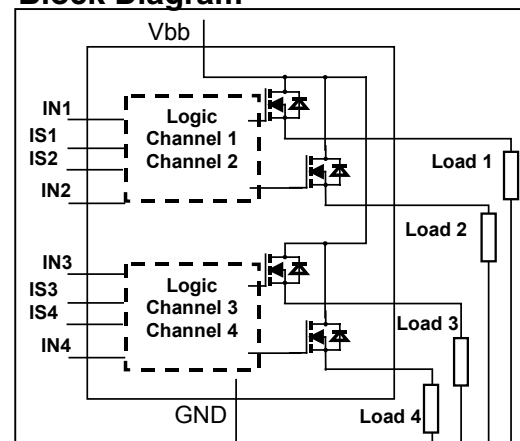
Protection Functions

- Reverse battery protection *without* external components (**ReverSave™**)
- Short circuit protection
- Overload protection
- Current limitation
- Thermal shutdown
- Overvoltage protection (not load dump) without external resistor
- Loss of ground protection
- Electrostatic discharge protection (ESD)

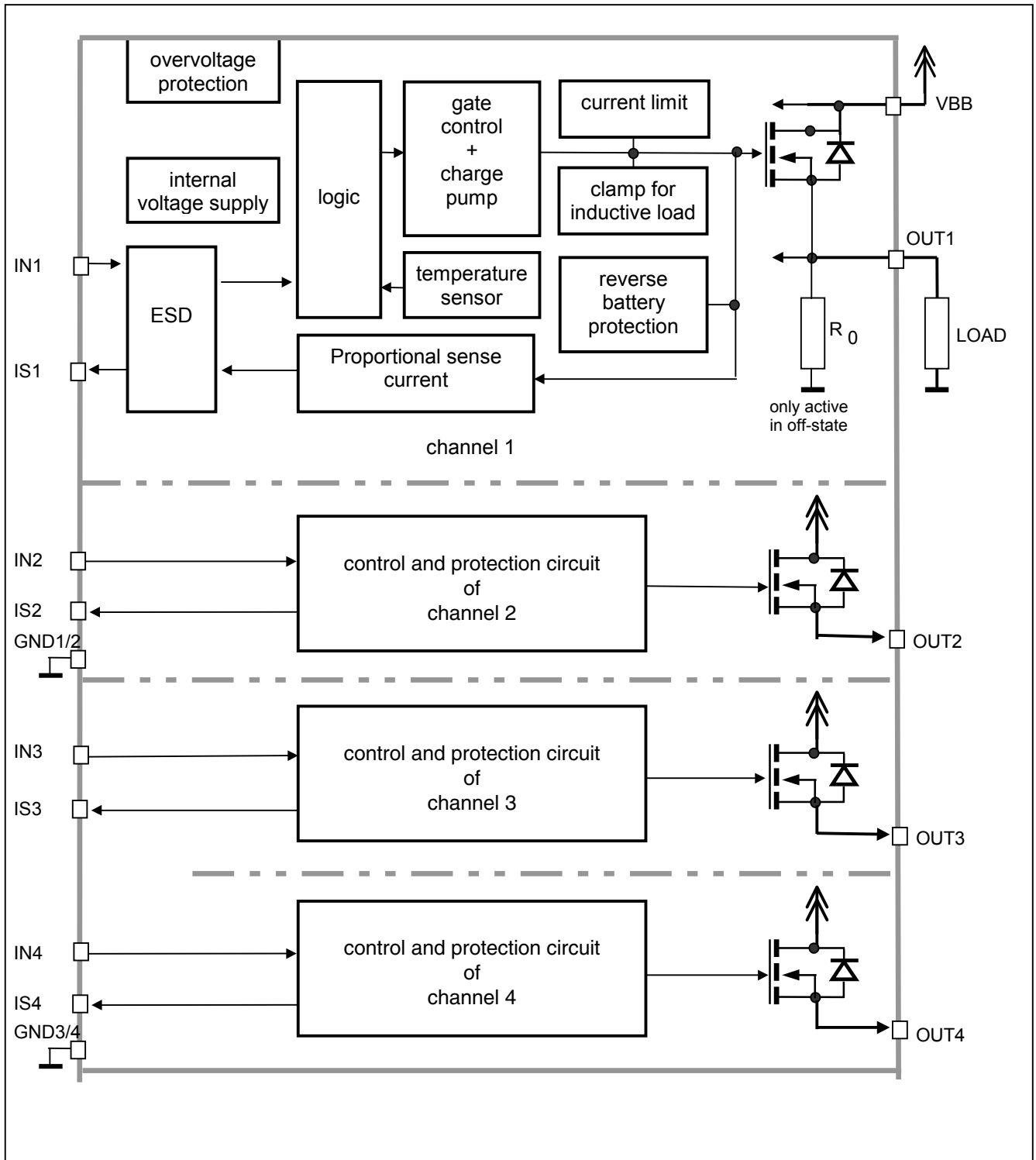
Diagnostic Function

- Proportional load current sense (with defined fault signal during thermal shutdown)

Block Diagram

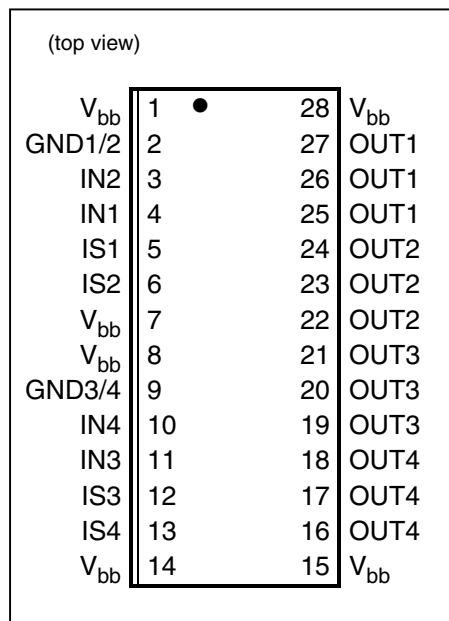


Functional diagram



Pin Definitions and Functions

Pin	Symbol	Function
1, 7, 8, 14, 15, 28	V_{bb}	Positive power supply voltage. Design the wiring for the simultaneous max. short circuit currents from channel 1 to 4 and also for low thermal resistance
4	IN1	Input 1,2, 3,4 activates channel 1,2,3,4 in case of logic high signal
3	IN2	
11	IN3	
10	IN4	
25,26,27	OUT1	Output 1,2,3,4 protected high-side power output of channel 1,2,3,4. Design the wiring for the max. short circuit current
22,23,24	OUT2	
19,20,21	OUT3	
16,17,18	OUT4	
5	IS1	Diagnostic feedback 1 .. 4 of channel 1 to 4 Providing a sense current, proportional to the load current
6	IS2	
12	IS3	
13	IS4	
2	GND1/2	Ground of chip 1 (channel 1,2)
9	GND3/4	Ground of chip 2 (channel 3,4)

Pin configuration




Thermal Characteristics

Parameter and Conditions	Symbol	Values			Unit
		min	typ	Max	
Thermal resistance junction - soldering point ⁵⁾ , junction – ambient ⁶⁾ @ 6 cm ² cooling area	each channel: R_{thjs} one channel active: R_{thja} all channels active:	--	--	11	K/W
		--	40	--	
		--	33	--	

Electrical Characteristics

Parameter and Conditions, each of the four channels at $T_j = -40...+150^\circ\text{C}$, $V_{bb} = 12\text{ V}$ unless otherwise specified	Symbol	Values			Unit
		min	typ	Max	

Load Switching Capabilities and Characteristics

On-state resistance (V_{bb} to OUT); $I_L = 5\text{ A}$, $V_{bb} \geq 7\text{ V}$ each channel, $T_j = 25^\circ\text{C}$: $T_j = 150^\circ\text{C}$: two parallel channels, $T_j = 25^\circ\text{C}$: four parallel channels, $T_j = 25^\circ\text{C}$: see diagram, page 12	R_{ON}	--	30 55	35 64	m Ω
		--	15 8	18 9	
Nominal load current one channel active: two parallel channels active: four parallel channels active: Device on PCB ⁶⁾ , $T_a = 85^\circ\text{C}$, $T_j \leq 150^\circ\text{C}$	$I_{L(NOM)}$	5.0 6.7 10.5	5.4 7.4 11.1	-- -- --	A
Output current while GND disconnected, $V_{IN} = 0$, see diagram page 11; (not tested specified by design)	$I_{L(GNDhigh)}$	--	--	1	mA
Turn-on time ⁷⁾ IN  to 90% V_{OUT} :	t_{on}	--	50	150	μs
Turn-off time IN  to 10% V_{OUT} : $R_L = 12\ \Omega$	t_{off}	--	120	220	μs
Slew rate on ⁷⁾ 10 to 30% V_{OUT} , $R_L = 12\ \Omega$:	dV/dt_{on}	0.3	--	1	V/ μs
Slew rate off ⁷⁾ 70 to 40% V_{OUT} , $R_L = 12\ \Omega$:	$-dV/dt_{off}$	0.15	--	1	V/ μs

5) Soldering point: upper side of solder edge of device pin 7,8. See page 16.

6) Device on 50mm*50mm*1.5mm epoxy PCB FR4 with 6cm² (one layer, 70 μm thick) copper area for V_{bb} connection. PCB is vertical without blown air. See page 16

7) See timing diagram on page 13.

Parameter and Conditions, each of the four channels at $T_j = -40\dots+150^\circ\text{C}$, $V_{bb} = 12\text{ V}$ unless otherwise specified	Symbol	Values			Unit
		min	typ	Max	

Operating Parameters

Operating voltage	$V_{bb(\text{on})}$	4.5	--	40	V	
Overvoltage protection ⁸⁾ $I_{bb} = 40\text{ mA}$	$V_{bb(\text{AZ})}$	41	47	52	V	
Standby current ⁹⁾ $V_{IN} = 0$; see diagram page 12 not tested, specified by design: $T_j = 125^\circ\text{C}$:	$I_{bb(\text{off})}$	$T_j = -40\dots25^\circ\text{C}$:	--	10	25	μA
		$T_j = 150^\circ\text{C}$:	--	40	80	
			--	--	25	
Off-State output current (included in $I_{bb(\text{off})}$) $V_{IN} = 0$; each channel; $T_j = 150^\circ\text{C}$:	$I_{L(\text{off})}$	--	1	4	μA	
Operating current, $V_{IN} = 5\text{V}$, $I_{GND} = I_{GND1/2} + I_{GND3/4}$, one channel on: four channels on:	I_{GND}		--	1.6	--	mA
			--	6.0	--	

Protection Functions¹⁰⁾

Current limit, (see timing diagrams, page 14)	$I_{L(\text{lim})}$	36	45	58	A
Repetitive short circuit current limit, $T_j = T_{jt}$ each channel two, three or four parallel channels (see timing diagrams, page 14)	$I_{L(\text{SCR})}$	--	40	--	A
		--	40	--	
Initial short circuit shutdown time (see timing diagrams on page 14) $T_{j,\text{start}} = 25^\circ\text{C}$:	$t_{\text{off}(\text{SC})}$	--	4	--	ms
Output clamp (inductive load switch off) ¹¹⁾ at $V_{\text{ON}(\text{CL})} = V_{bb} - V_{\text{OUT}}$, $I_L = 40\text{ mA}$ $T_j = -40^\circ\text{C}..25^\circ\text{C}$:	$V_{\text{ON}(\text{CL})}$	18	21	30	V
		$T_j = 150^\circ\text{C}$:	14	17	20
Thermal overload trip temperature	T_{jt}	150	--	--	$^\circ\text{C}$
Thermal hysteresis	ΔT_{jt}	--	10	--	K

8) Supply voltages higher than $V_{bb(\text{AZ})}$ require an external current limit for the GND and status pins (a 150Ω resistor for the GND connection is recommended). See also $V_{\text{ON}(\text{CL})}$ in table of protection functions and circuit diagram on page 10.

9) Measured with load; for the whole device; all channels off

10) Integrated protection functions are designed to prevent IC destruction under fault conditions described in the data sheet. Fault conditions are considered as "outside" normal operating range. Protection functions are not designed for continuous repetitive operation.



11) If channels are connected in parallel, output clamp is usually accomplished by the channel with the lowest $V_{\text{ON}(\text{CL})}$

Parameter and Conditions, each of the four channels at $T_j = -40\dots+150^\circ\text{C}$, $V_{bb} = 12\text{ V}$ unless otherwise specified	Symbol	Values			Unit
		min	typ	Max	

Reverse Battery

Reverse battery voltage ¹²⁾	$-V_{bb}$	--	--	28	V
On-state resistance with reverse battery $I_L = 2\text{ A}$; $V_{bb} = 12\text{ V}$	R_{on}	--	$T_j = 25^\circ\text{C}$: 45	60	m Ω
			$T_j = 150^\circ\text{C}$: 80	120	

Input¹³⁾

Input resistance (see circuit page 10)	R_i	2.5	3.5	6.0	k Ω
Input turn-on threshold voltage 	$V_{IN(T+)}$	1.7	--	3.2	V
Input turn-off threshold voltage 	$V_{IN(T-)}$	1.5	--	--	V
Input threshold hysteresis	$\Delta V_{IN(T)}$	--	0.3	--	V
Off state input current $V_{IN} = 0.4\text{ V}$:	$I_{IN(off)}$	1	--	35	μA
On state input current $V_{IN} = 5\text{ V}$:	$I_{IN(on)}$	20	50	90	μA

¹²⁾ Power dissipation is higher compared to normal operating conditions due to the elevated on-state resistance. The temperature protection and sense functionality is not active during reverse current operation! Input and Status currents have to be limited (see max. ratings page 4 and circuit page 10).

¹³⁾ If ground resistors R_{GND} are used, add the voltage drop across these resistors.

Parameter and Conditions, each of the four channels at $T_j = -40\dots+150^\circ\text{C}$, $V_{bb} = 12\text{ V}$ unless otherwise specified	Symbol	Values			Unit
		min	typ	Max	

Diagnostic Characteristics

Current sense ratio, static on-condition, $k_{ILIS} = I_L / I_S$	k_{ILIS}	--	5 000	--		
-40°C		$I_L = 10\text{ A}$: $I_L = 2\text{ A}$: $I_L = 1\text{ A}$: $I_L = 0.5\text{ A}$:	4575 4100 4200 3580	5000 5000 5200 5800	5425 5900 6200 8080	
+25°C		$I_L = 10\text{ A}$: $I_L = 2\text{ A}$: $I_L = 1\text{ A}$: $I_L = 0.5\text{ A}$:	4600 4250 4310 3820	4900 4900 5100 5600	5200 5550 6010 7320	
+150°C		$I_L = 10\text{ A}$: $I_L = 2\text{ A}$: $I_L = 1\text{ A}$: $I_L = 0.5\text{ A}$:	4675 4475 4350 4200	4900 4900 5000 5200	5125 5325 5650 6200	
Sense signal in case of fault-conditions ¹⁴⁾		V_{fault}	5.8	6.3	6.9	V
Sense signal delay after thermal shutdown ¹⁵⁾		$t_{\text{delay(fault)}}$	--	--	1	ms
Sense current saturation		$I_{S,\text{lim}}$	4	--	--	mA
Current sense output voltage limitation $I_S = 0$, $I_L = 5\text{ A}$:		$V_{IS(\text{lim})}$	5.8	6.3	6.9	V
Current sense leakage/offset current $V_{IN}=0$, $V_{IS} = 0$, $I_L = 0$:		$I_{S(\text{LL})}$	--	--	1	μA
$V_{IN}=5\text{ V}$, $V_{IS} = 0$, $I_L = 0$:		$I_{S(\text{LH})}$	--	2.5	--	
Current sense settling time to $I_S \text{ static} \pm 10\%$ after positive input slope, $I_L = 0 \rightarrow 5\text{ A}$, (not tested, specified by design)		$t_{\text{son}(IS)}$	--	--	300	μs
Internal output pull down only active in off-state		R_0	--	7	--	k Ω

¹⁴⁾ In the case of current limitation or thermal shutdown the sense signal is no longer a current proportional to the load current, but a fixed voltage of typ. 5 V.

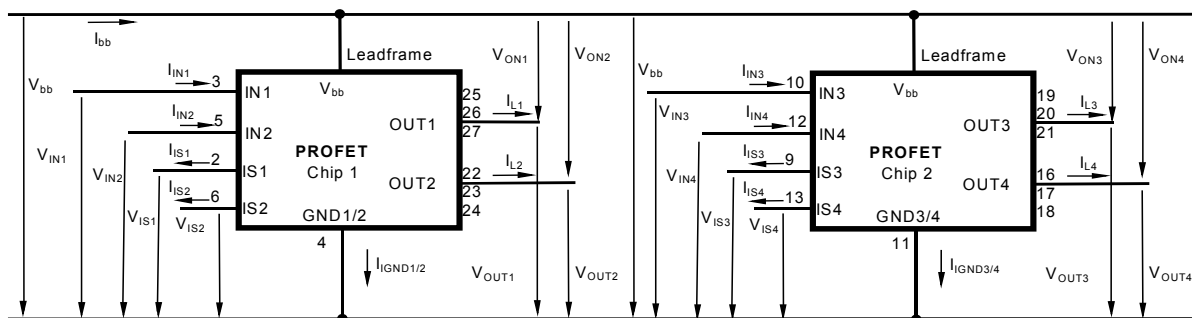
¹⁵⁾ In the case of thermal shutdown the V_{fault} signal remains for $t_{\text{delay(fault)}}$ longer than the restart of the switch (see diagram on page 15).

Truth Table

	Input level	Output level	Current Sense I _S
Normal Operation	L H	L H	0 nominal
Current-Limitation ¹⁶⁾	H	H	V _{fault}
Short circuit to GND	L H	L L	0 V _{fault}
Overtemperature	L H	L L	0 V _{fault}
Short circuit to V _{bb}	L H	H H	0 <nominal ¹⁷⁾
Open load	L H	Z H	0 0
Negative output Voltage clamp	L	L	0

L = "Low" Level X = don't care Z = high impedance, potential depends on external circuit
H = "High" Level V_{fault} = 5V typ, constant voltage independent of external used sense resistor.
Parallel switching of channels is possible by connecting the inputs and outputs in parallel. The current sense outputs have to be connected with a single sense resistor.

Terms

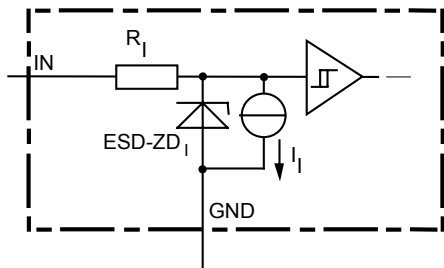


Leadframe (V_{bb}) is connected to pin 1, 7, 8, 14, 15, 28

¹⁶⁾ Current limitation is only possible while the device is switched on.

¹⁷⁾ Low ohmic short to V_{bb} may reduce the output current I_L and therefore also the sense current I_{IS}.

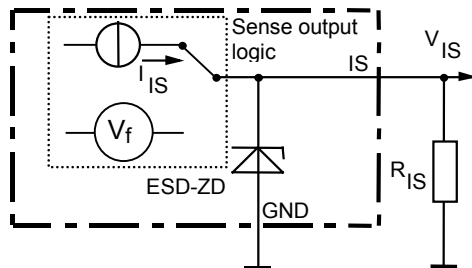
Input circuit (ESD protection), IN1 to IN4



The use of ESD zener diodes as voltage clamp at DC conditions is not recommended.

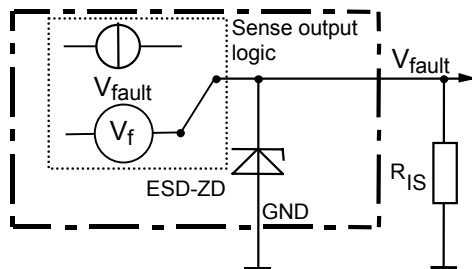
Sense output

Normal operation: $I_S = I_L / k_{ILIS}$
 $V_{IS} = I_S * R_{IS}$; $R_{IS} = 1 \text{ k}\Omega$ nominal
 $R_{IS} > 500\Omega$



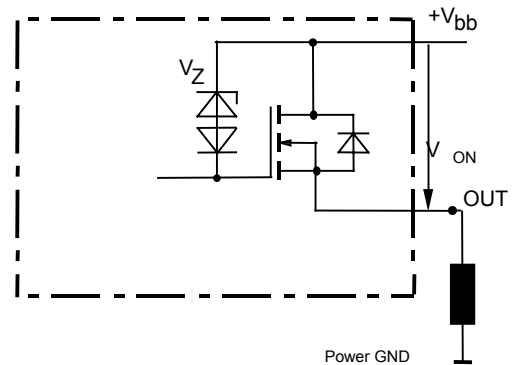
ESD-Zener diode: $V_{ESD} = 6.1 \text{ V typ.}$, max 14 mA;

Operation under fault condition
 so as thermal shut down or current limitation



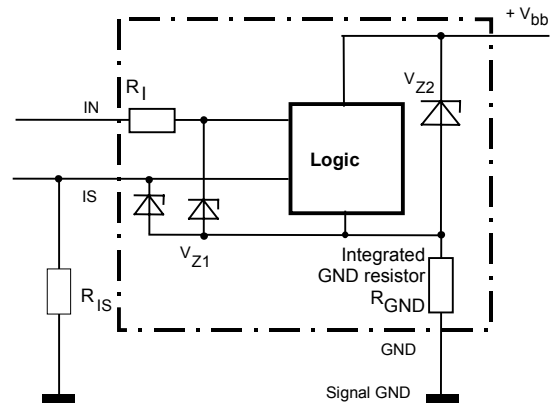
$V_{fault} = 6 \text{ V typ}$
 $V_{fault} < V_{ESD}$ under all conditions

Overvoltage output clamp, OUT1 or OUT2



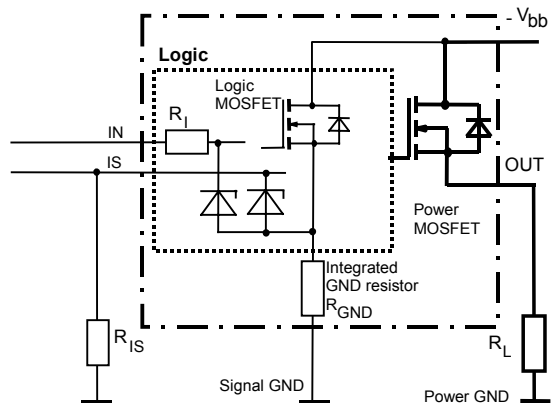
V_{ON} clamped to $V_{ON(CL)} = 21 \text{ V typ.}$

**Overvoltage protection of logic part
 GND1/2 or GND3/4**



$V_{Z1} = 6.1 \text{ V typ.}$, $V_{Z2} = 47 \text{ V typ.}$, $R_I = 3.5 \text{ k}\Omega \text{ typ.}$,
 $R_{GND} = 75 \Omega$

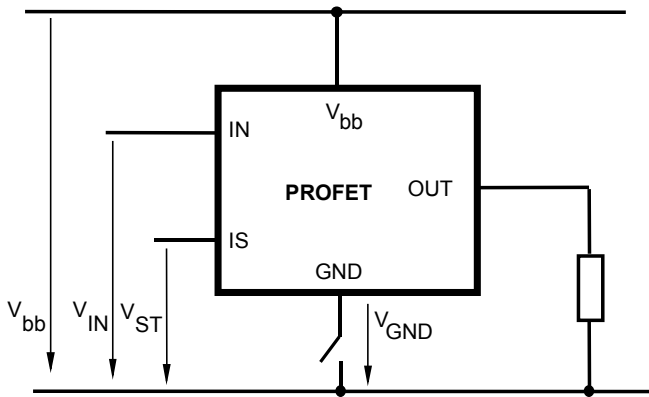
Reverse battery protection



$R_{GND} = 75 \Omega$, $R_I = 3.5 \text{ k}\Omega \text{ typ.}$

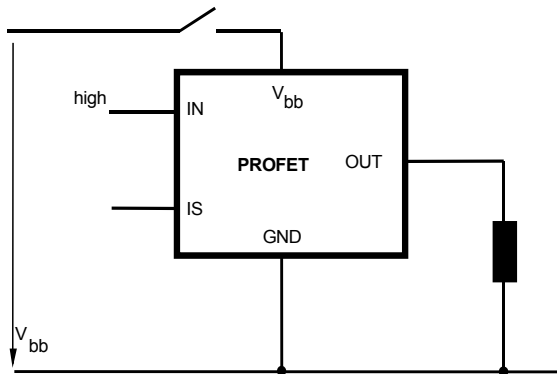
In case of reverse battery the channel of the MOSFET is turned on.
 Temperature protection and sense functionality is not active during inverse current operation.

GND disconnect



Any kind of load. In case of IN=high is $V_{OUT} \approx V_{IN} - V_{IN(T+)}$. Due to $V_{GND} > 0$, no V_{ST} = low signal available.

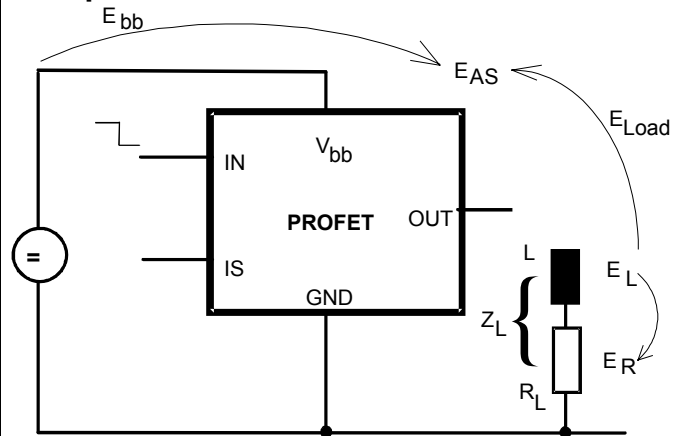
Vbb disconnect with energized inductive load



For inductive load currents up to the limits defined by Z_L (max. ratings and diagram on page 11) each switch is protected against loss of V_{bb} .

Consider at your PCB layout that in the case of V_{bb} disconnection with energized inductive load all the load current flows through the GND connection.

Inductive load switch-off energy dissipation



Energy stored in load inductance:

$$E_L = 1/2 \cdot L \cdot I_L^2$$

While demagnetizing load inductance, the energy dissipated in PROFET is

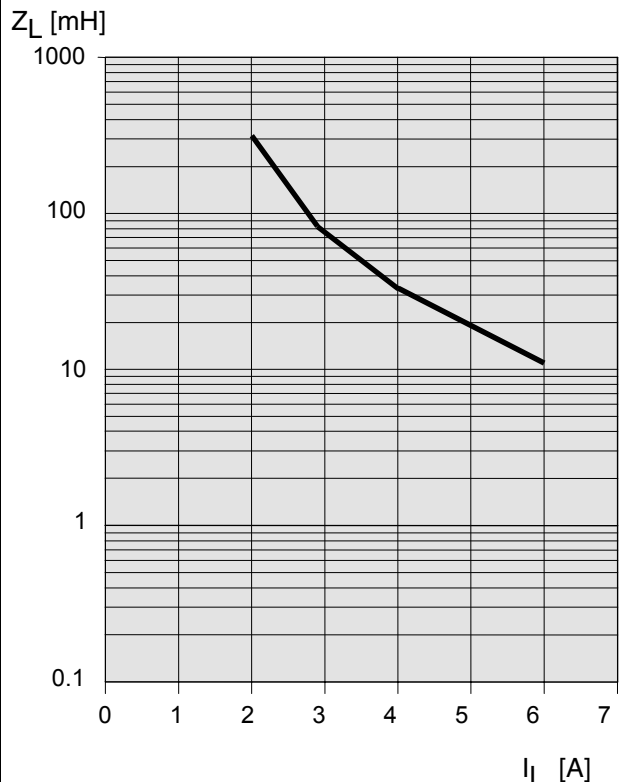
$$E_{AS} = E_{bb} + E_L - E_R = \int V_{ON(CL)} \cdot i_L(t) dt,$$

with an approximate solution for $R_L > 0 \Omega$:

$$E_{AS} = \frac{I_L \cdot L}{2 \cdot R_L} (V_{bb} + |V_{OUT(CL)}|) \ln \left(1 + \frac{I_L \cdot R_L}{|V_{OUT(CL)}|} \right)$$

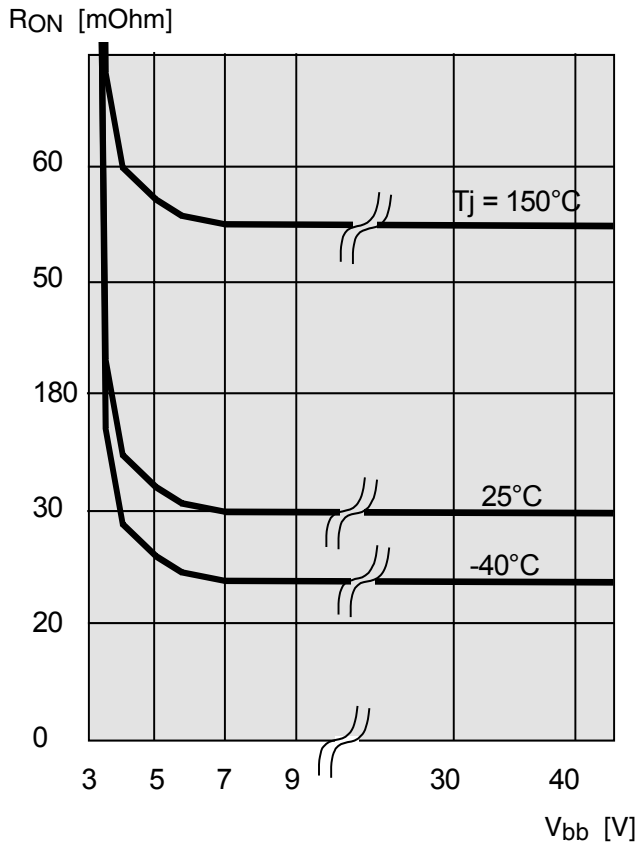
Maximum allowable load inductance for a single switch off (one channel)⁴⁾

$L = f(I_L)$; $T_{j,start} = 150^\circ C$, $V_{bb} = 12 V$, $R_L = 0 \Omega$



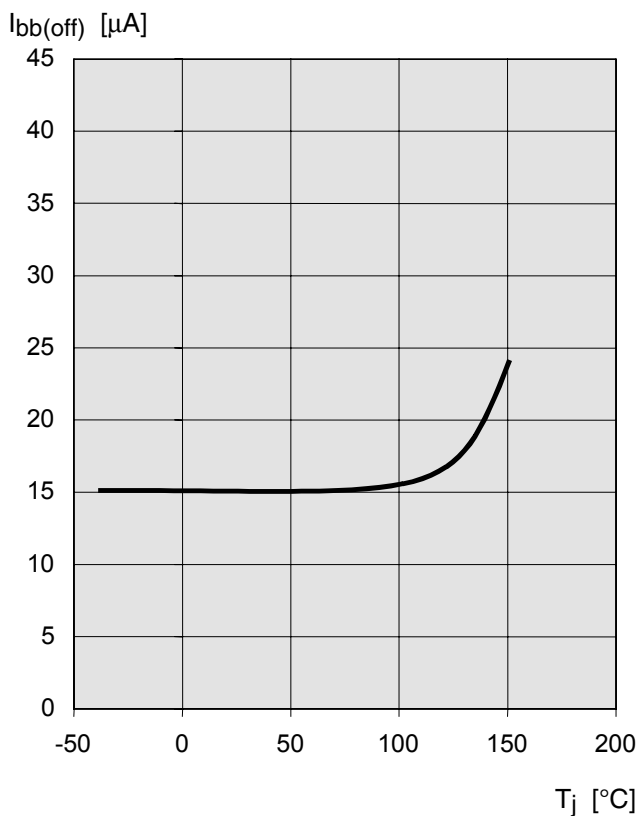
Typ. on-state resistance

$R_{ON} = f(V_{bb}, T_j); I_L = 2\text{ A}, I_N = \text{high}$



Typ. standby current

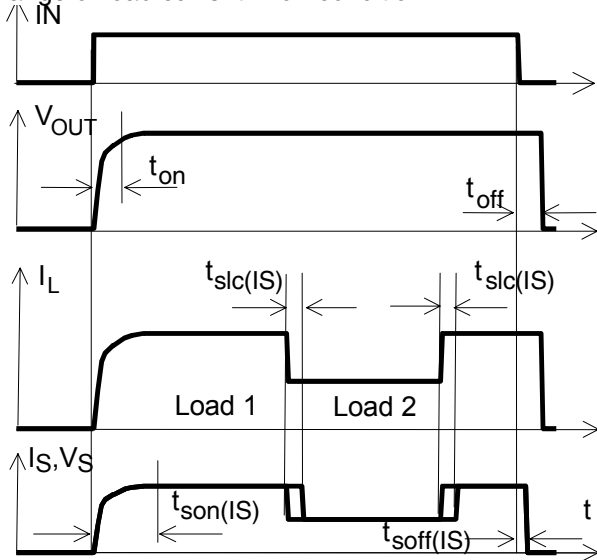
$I_{bb(off)} = f(T_j); V_{bb} = 9 \dots 34\text{ V}, I_{N1,2,3,4} = \text{low}$



Functionality diagrams

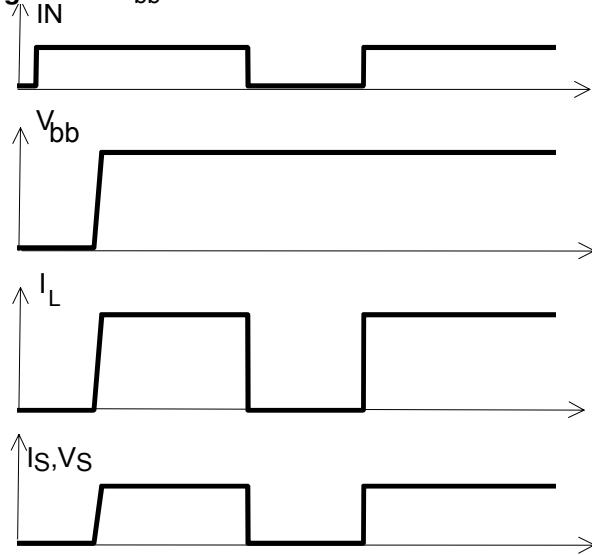
All diagrams are shown for chip 1 (channel 1/2). For chip 2 (channel 3/4) the diagrams are valid too. The channels 1 and 2, respectively 3 and 4, are symmetric and consequently the diagrams are valid for each channel as well as for permuted channels

Figure 1a: Switching a resistive load, change of load current in on-condition:



The sense signal is not valid during settling time after turn on or change of load current.

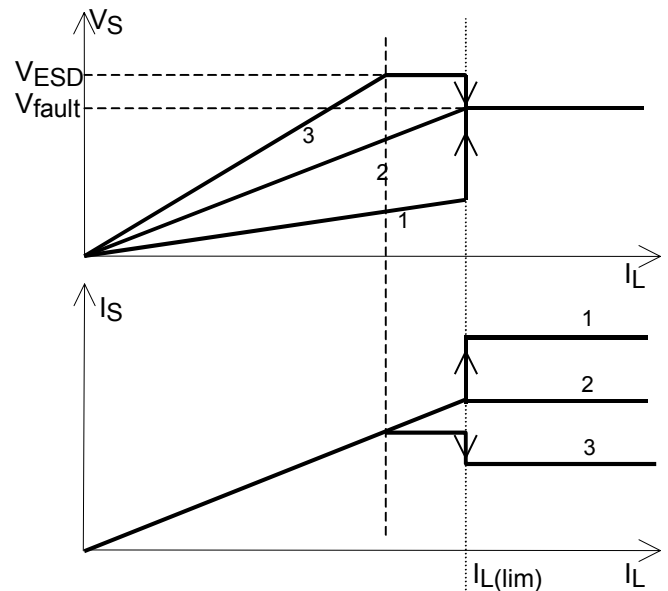
Figure 1b: V_{bb} turn on:



proper turn on under all conditions

Figure 1c: Behaviour of sense output: Sense current (I_S) and sense voltage (V_S) as function of load current dependent on the sense resistor

Shown is V_S and I_S for three different sense resistors. Curve 1 refers to a low resistor, curve 2 to a medium-sized resistor and curve 3 to a big resistor. Note, that the sense resistor may not fall short of a minimum value of 500Ω .

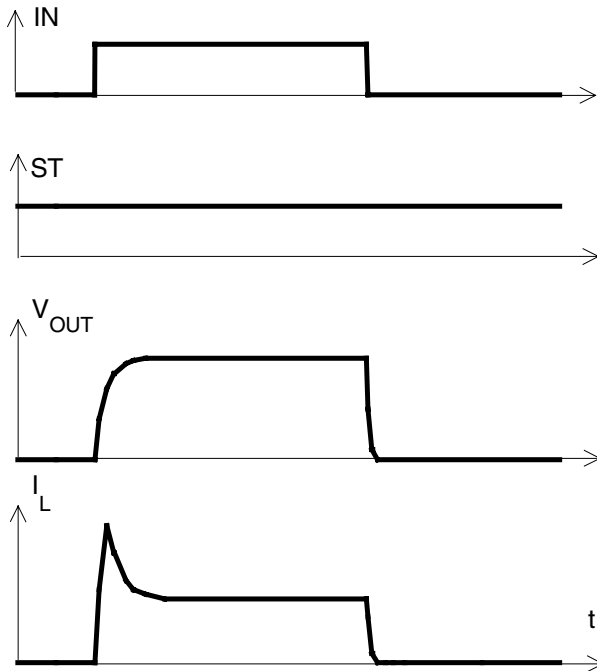


$$I_S = I_L / k_{ILIS}$$

$$V_S = I_S \cdot R_{IS}; R_{IS} = 1 \text{ k}\Omega \text{ nominal}$$

$$R_{IS} > 500\Omega$$

Figure 2a: Switching a lamp:



The initial peak current should be limited by the lamp and not by the current limit of the device.

Figure 2b: Switching a lamp with current limit:
The behaviour of IS and VS is shown for a resistor, which refers to curve 1 in figure 1c

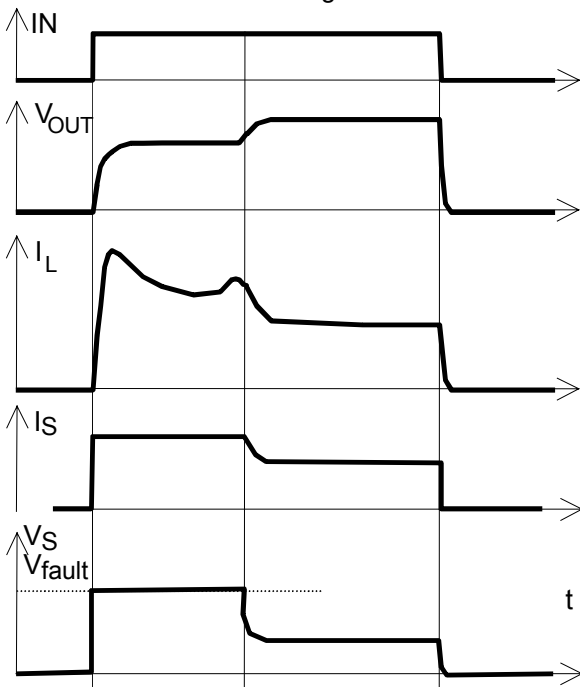
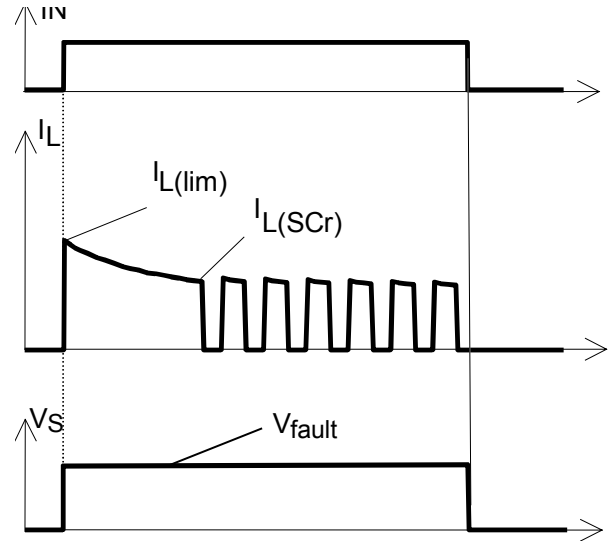


Figure 3a: Short circuit:
shut down by overtemperature, reset by cooling



Heating up may require several milliseconds, depending on external conditions
 $I_{L(lim')} = 50 \text{ A typ.}$ increases with decreasing temperature.

Figure 3b: Turn on into short circuit:
shut down by overtemperature, restart by cooling
(two parallel switched channels 1 and 2)

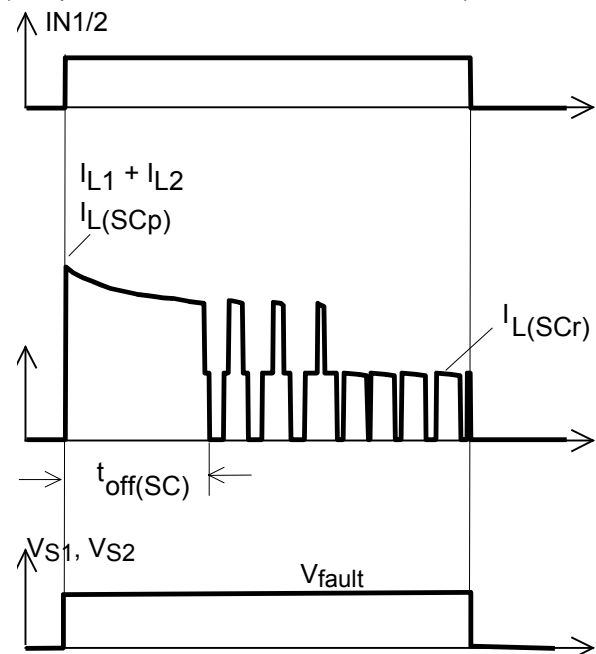


Figure 4a: Overtemperature:
 Reset if $T_j < T_{jt}$
 The behaviour of IS and VS is shown for a resistor,
 which refers to curve 1 in figure 1c

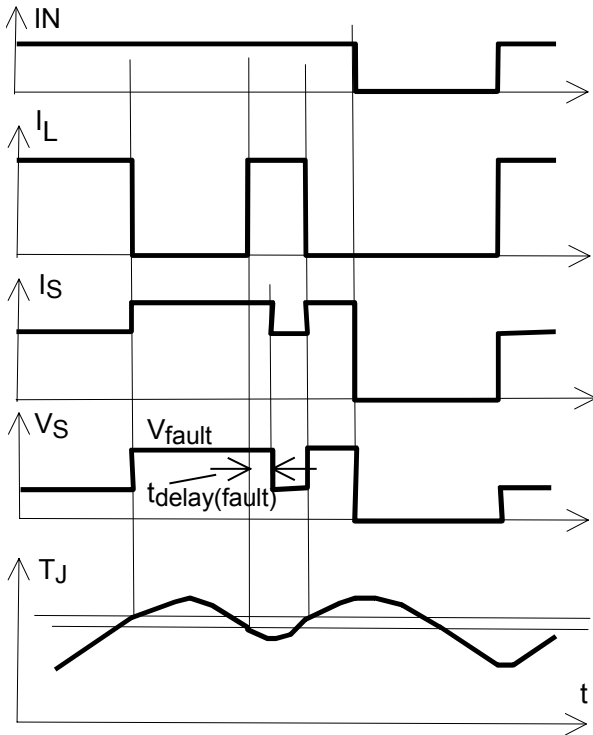


Figure 6a: Current sense versus load current:

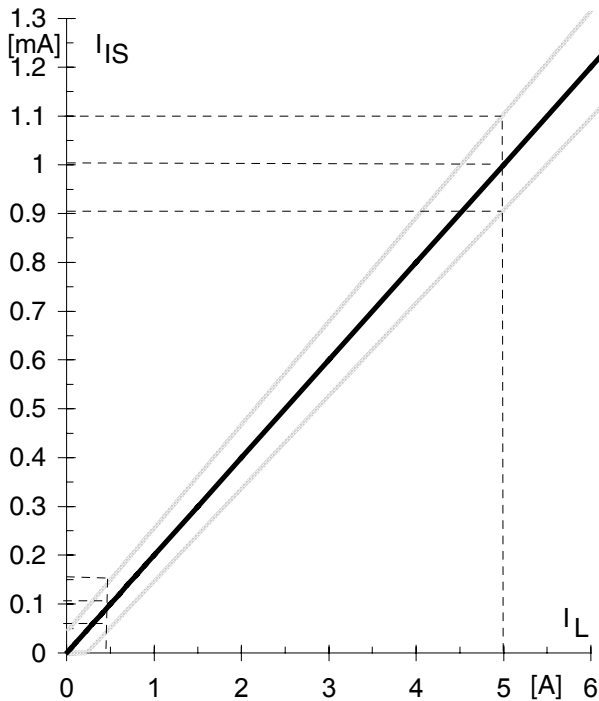
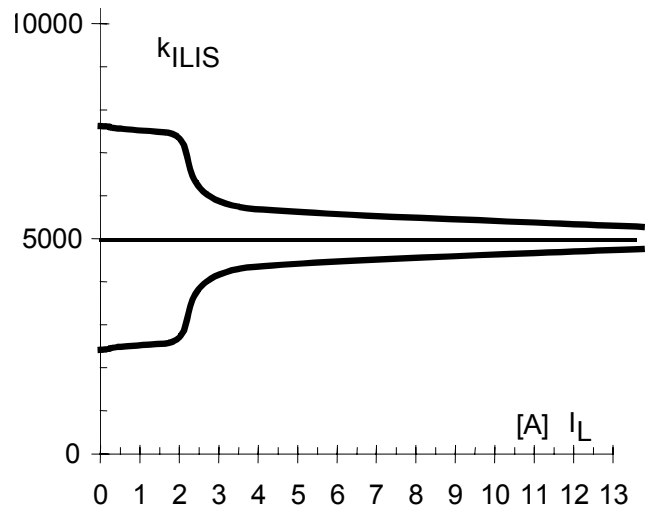


Figure 6b: Current sense ratio¹⁸⁾:

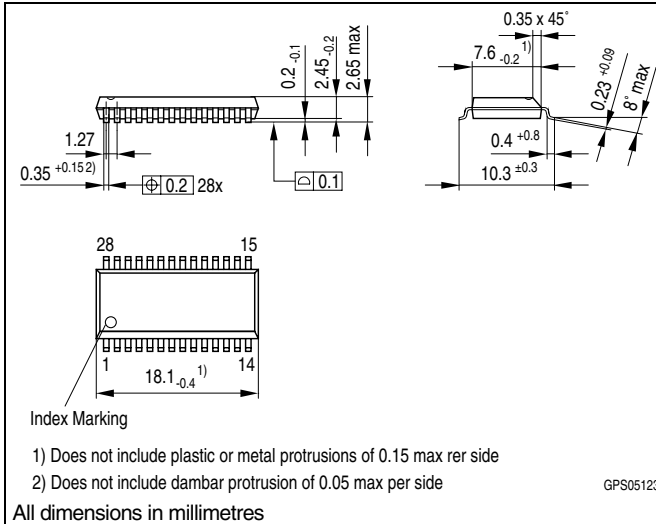


¹⁸⁾ This range for the current sense ratio refers to all devices. The accuracy of the k_{ILIS} can be raised at least by a factor of two by calibrating the value of k_{ILIS} for every single device.

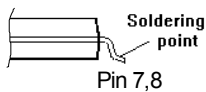
Package and Ordering Code

Standard: P-DSO-28-16

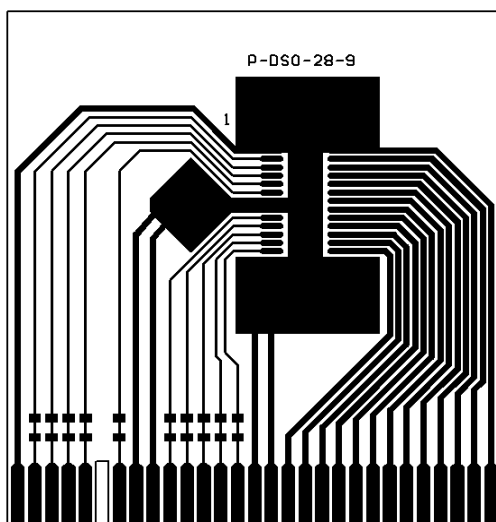
Sales Code	BTS 737 S2
Ordering Code	Q67060-S7017



Definition of soldering point with temperature T_s :
 upper side of solder edge of device pin 15.



Printed circuit board (FR4, 1.5mm thick, one layer 70µm, 6cm² active heatsink area) as a reference for max. power dissipation P_{tot} , nominal load current $I_{L(NOM)}$ and thermal resistance R_{thja}



Published by Infineon technologies AG, Bereich Bauelemente, Vertrieb, Produkt-Information, Balanstraße 73, D-81541 München

Infineon technologies AG 2001. All Rights Reserved

As far as patents or other rights of third parties are concerned, liability is only assumed for components per se, not for applications, processes and circuits implemented within components or assemblies. The information describes a type of component and shall not be considered as warranted characteristics. The characteristics for which SIEMENS grants a warranty will only be specified in the purchase contract. Terms of delivery and rights to change design reserved. For questions on technology, delivery and prices please contact the Offices of Semiconductor Group in Germany or the Siemens Companies and Representatives worldwide (see address list). Due to technical requirements components may contain dangerous substances. For information on the type in question please contact your nearest Infineon technologies AG Office, Semiconductor Group. Siemens AG is an approved CECC manufacturer.

Packing: Please use the recycling operators known to you. We can also help you - get in touch with your nearest sales office. By agreement we will take packing material back, if it is sorted. You must bear the costs of transport. For packing material that is returned to us unsorted or which we are not obliged to accept we shall have to invoice you for any costs incurred.

Components used in life-support devices or systems must be expressly authorised for such purpose! Critical components¹⁹⁾ of the Semiconductor Group of Infineon technologies AG, may only be used in life supporting devices or systems²⁰⁾ with the express written approval of the Semiconductor Group of Infineon technologies AG.

19) A critical component is a component used in a life-support device or system whose failure can reasonably be expected to cause the failure of that life-support device or system, or to affect its safety or effectiveness of that device or system.
 20) Life support devices or systems are intended (a) to be implanted in the human body or (b) support and/or maintain and sustain and/or protect human life. If they fail, it is reasonably to assume that the health of the user or other persons may be endangered.