

2.00mm (0.079") PITCH CONNECTOR

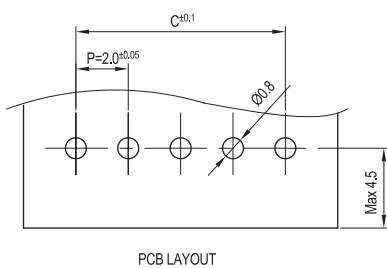
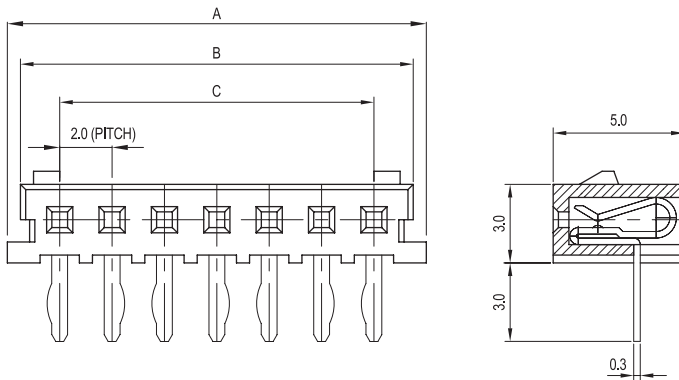
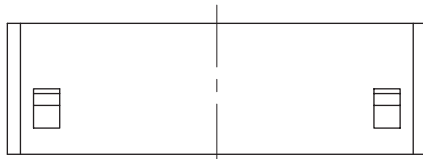
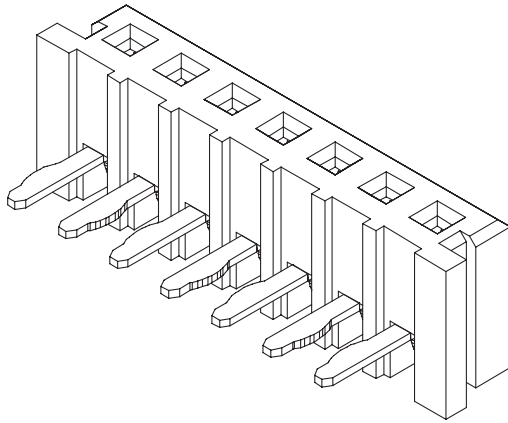


**Board-to-Board
Housing**

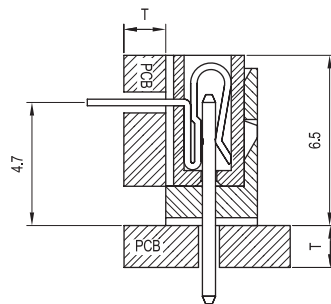
BMH200-NNR Series

DIP

Right Angle



PCB LAYOUT



PCB ASSY

Material

I/NO	DESCRIPTION	TITLE	MATERIAL
1	HOUSING	BMH200-NNR	PA66, UL 94V Grade
2	PIN	BMAT200	Phosphor Bronze & Tin-Plated

Available Pin

PARTS NO.	A	B	C
BMH200-02R	6.8	5.0	2.0
BMH200-03R	8.0	7.0	4.0
BMH200-04R	10.0	9.0	6.0
BMH200-05R	12.0	11.0	8.0
BMH200-06R	14.0	13.0	10.0
BMH200-07R	16.0	15.0	12.0
BMH200-08R	18.0	17.0	14.0
BMH200-09R	20.0	19.0	16.0
BMH200-10R	22.0	21.0	18.0
BMH200-11R	24.0	23.0	20.0
BMH200-12R	26.0	25.0	22.0
BMH200-13R	28.0	27.0	24.0
BMH200-14R	30.0	29.0	26.0
BMH200-15R	32.0	31.0	28.0
BMH200-16R	34.0	33.0	30.0
BMH200-17R	36.0	35.0	32.0
BMH200-18R	38.0	37.0	34.0
BMH200-19R	40.0	39.0	36.0
BMH200-20R	42.0	41.0	38.0

Specification

ITEM	SPEC
Voltage Rating	AC/DC 250V
Current Rating	AC/DC 1.5A
Operating Temperature	-25℃~+85℃
Contact Resistance	30mΩ MAX
Withstanding Voltage	AC500V/1min
Insulation Resistance	1000MΩ MIN
Applicable Wire	-
Applicable P.C.B	1.2~1.6mm
Applicable FPC/FFC	-
Solder Height	-
Crimp Tensile Strength	-
UL FILE NO	E108706