

INTRODUCTION

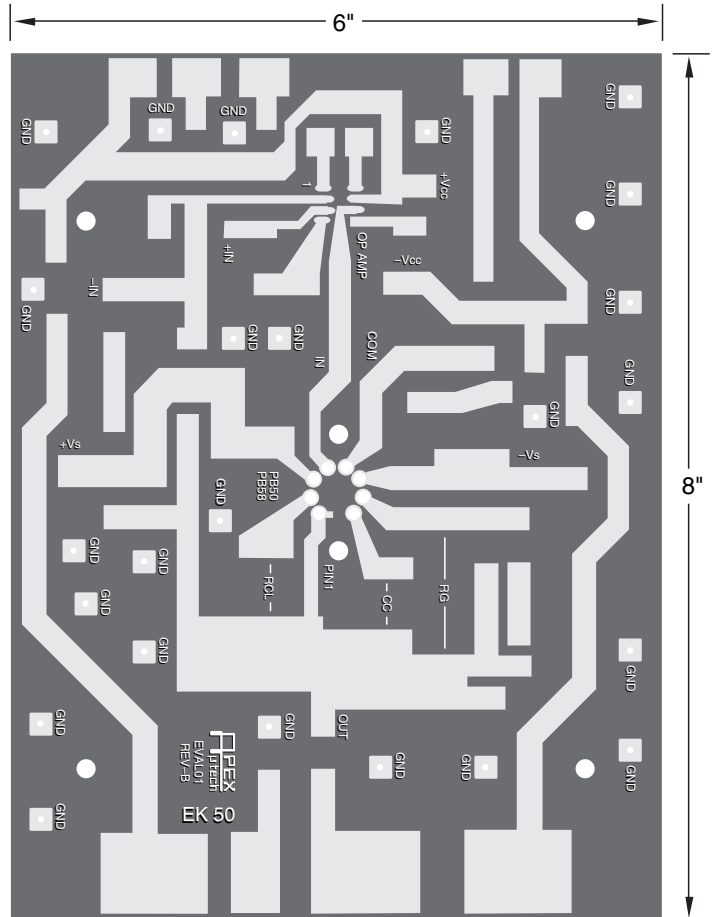
This easy-to-use kit provides a platform for the evaluation of the PB50 and PB58 high voltage power boosters. The PB50 and PB58 are designed most commonly in combination with a small signal, general purpose op amp. However, they can also be used without a driver amplifier. This kit can be used to analyze a multitude of standard or proprietary circuit configurations.

PARTS LIST

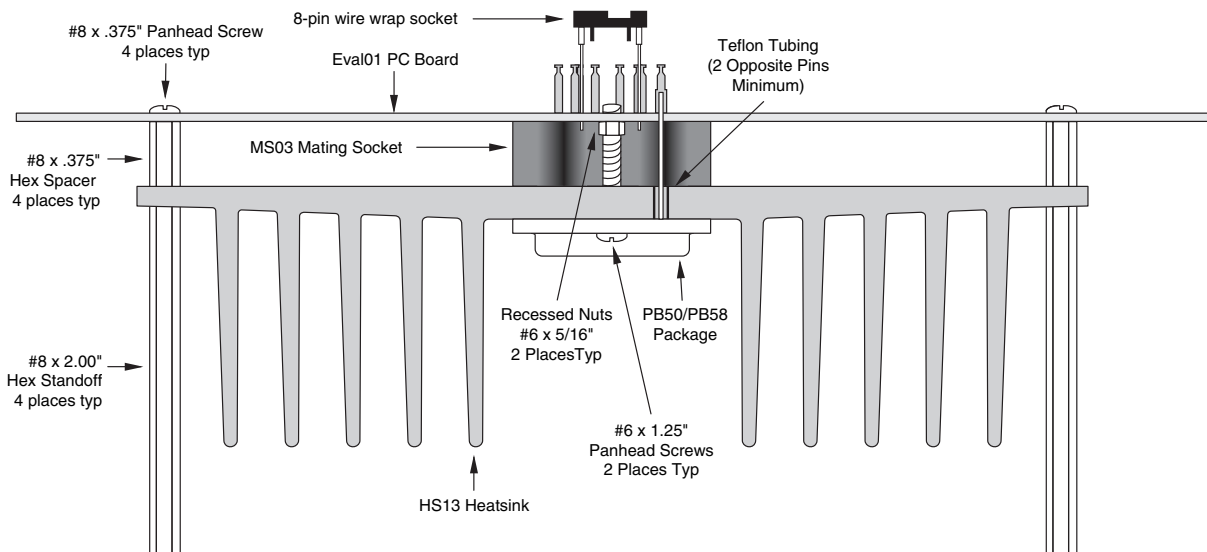
Part #	Description	Quantity
HS13	Heatsink	1
EVAL01	PC Board	1
MS03	Mating Socket	1
HWRE02	Hardware Kit	1
HWRE05	8-Pin Wire Wrap Socket	1
TW0 3	Thermal Washer	1 Box/10

HWRE02 contains the following:

- 4 #8 x .375" Panhead Screws
- 4 #8 x .375" Hex Spacers
- 4 #8 x 2.00" Hex Stand Offs
- 2 #6 x 1.25" Panhead Screws
- 2 #6 x 5/16" Hex Nuts



ASSEMBLY



- CAUTION**
1. Use thermal grease or Apex Thermal Washer TW03 between power booster and heatsink.
 2. Use 18 gauge teflon sleeve on at least two opposite pins
 3. Mounting torque greater than 7 in•lbs on power booster mounting bolts will void warranty!

EQUIVALENT SCHEMATIC

