

2 Mbit / 4 Mbit (x8) Small-Sector Flash

SST29SF020 / SST29SF040

SST29VF020 / SST29VF040



Data Sheet

FEATURES:

- **Organized as 256K x8 / 512K x8**
- **Single Voltage Read and Write Operations**
 - 4.5-5.5V for SST29SF020/040
 - 2.7-3.6V for SST29VF020/040
- **Superior Reliability**
 - Endurance: 100,000 Cycles (typical)
 - Greater than 100 years Data Retention
- **Low Power Consumption:**
 - Active Current: 10 mA (typical)
 - Standby Current:
 - 30 μ A (typical) for SST29SF020/040
 - 1 μ A (typical) for SST29VF020/040
- **Sector-Erase Capability**
 - Uniform 128 Byte sectors
- **Fast Read Access Time:**
 - 55 ns for SST29SF020/040
 - 70 ns for SST29VF020/040
- **Latched Address and Data**
- **Fast Erase and Byte-Program:**
 - Sector-Erase Time: 18 ms (typical)
 - Chip-Erase Time: 70 ms (typical)
 - Byte-Program Time: 14 μ s (typical)
 - Chip Rewrite Time:
 - 4 seconds (typical) for SST29SF/VF020
 - 8 seconds (typical) for SST29SF/VF040
- **Automatic Write Timing**
 - Internal V_{PP} Generation
- **End-of-Write Detection**
 - Toggle Bit
 - Data# Polling
- **TTL I/O Compatibility for SST29SF020/040**
- **CMOS I/O Compatibility for SST29VF020/040**
- **JEDEC Standard**
 - Flash EEPROM Pinouts and command sets
- **Packages Available**
 - 32-lead PLCC
 - 32-lead TSOP (8mm x 14mm)
- **All non-Pb (lead-free) devices are RoHS compliant**

PRODUCT DESCRIPTION

The SST29SF020/040 and SST29VF020/040 are 256K x8 / 512K x8 CMOS Small-Sector Flash (SSF) manufactured with SST's proprietary, high-performance CMOS SuperFlash technology. The split-gate cell design and thick-oxide tunneling injector attain better reliability and manufacturability compared with alternate approaches. The SST29SF020/040 devices write (Program or Erase) with a 4.5-5.5V power supply. The SST29VF020/040 devices write (Program or Erase) with a 2.7-3.6V power supply. These devices conform to JEDEC standard pin assignments for x8 memories.

Featuring high performance Byte-Program, the SST29SF020/040 and SST29VF020/040 devices provide a maximum Byte-Program time of 20 μ sec. To protect against inadvertent write, they have on-chip hardware and Software Data Protection schemes. Designed, manufactured, and tested for a wide spectrum of applications, these devices are offered with a guaranteed endurance of at least 10,000 cycles. Data retention is rated at greater than 100 years.

The SST29SF020/040 and SST29VF020/040 devices are suited for applications that require convenient and economical updating of program, configuration, or data mem-

ory. For all system applications, they significantly improve performance and reliability, while lowering power consumption. They inherently use less energy during Erase and Program than alternative flash technologies. The total energy consumed is a function of the applied voltage, current, and time of application. Since for any given voltage range, the SuperFlash technology uses less current to program and has a shorter erase time, the total energy consumed during any Erase or Program operation is less than alternative flash technologies. They also improve flexibility while lowering the cost for program, data, and configuration storage applications.

The SuperFlash technology provides fixed Erase and Program times independent of the number of Erase/Program cycles that have occurred. Therefore, the system software or hardware does not have to be modified or de-rated as is necessary with alternative flash technologies, whose Erase and Program times increase with accumulated Erase/Program cycles.

To meet high density, surface mount requirements, the SST29SF020/040 and SST29VF020/040 devices are offered in 32-lead PLCC and 32-lead TSOP packages. The pin assignments are shown in Figures 2 and 3.



2 Mbit / 4 Mbit Small-Sector Flash SST29SF020 / SST29SF040 SST29VF020 / SST29VF040

Data Sheet

Device Operation

Commands are used to initiate the memory operation functions of the device. Commands are written to the device using standard microprocessor write sequences. A command is written by asserting WE# low while keeping CE# low. The address bus is latched on the falling edge of WE# or CE#, whichever occurs last. The data bus is latched on the rising edge of WE# or CE#, whichever occurs first.

Read

The Read operation of the SST29SF020/040 and SST29VF020/040 devices are controlled by CE# and OE#, both have to be low for the system to obtain data from the outputs. CE# is used for device selection. When CE# is high, the chip is deselected and only standby power is consumed. OE# is the output control and is used to gate data from the output pins. The data bus is in high impedance state when either CE# or OE# is high. Refer to the Read cycle timing diagram in Figure 4 for further details.

Byte-Program Operation

The SST29SF020/040 and SST29VF020/040 devices are programmed on a byte-by-byte basis. Before programming, the sector where the byte exists must be fully erased. The Program operation is accomplished in three steps. The first step is the three-byte load sequence for Software Data Protection. The second step is to load byte address and byte data. During the Byte-Program operation, the addresses are latched on the falling edge of either CE# or WE#, whichever occurs last. The data is latched on the rising edge of either CE# or WE#, whichever occurs first. The third step is the internal Program operation which is initiated after the rising edge of the fourth WE# or CE#, whichever occurs first. The Program operation, once initiated, will be completed, within 20 μ s. See Figures 5 and 6 for WE# and CE# controlled Program operation timing diagrams and Figure 16 for flowcharts. During the Program operation, the only valid reads are Data# Polling and Toggle Bit. During the internal Program operation, the host is free to perform additional tasks. Any commands written during the internal Program operation will be ignored.

Sector-Erase Operation

The Sector-Erase operation allows the system to erase the device on a sector-by-sector basis. The SST29SF020/040 and SST29VF020/040 offer Sector-Erase mode. The sector architecture is based on uniform sector size of 128 Bytes. The Sector-Erase operation is initiated by executing a six-byte command sequence with Sector-Erase command (20H) and sector address (SA) in the last bus cycle. The sector address is latched on the falling edge of the

sixth WE# pulse, while the command (20H) is latched on the rising edge of the sixth WE# pulse. The internal Erase operation begins after the sixth WE# pulse. The End-of-Erase operation can be determined using either Data# Polling or Toggle Bit methods. For timing waveforms, see Figure 9. Any commands issued during the Sector-Erase operation are ignored.

Chip-Erase Operation

The SST29SF020/040 and SST29VF020/040 devices provide a Chip-Erase operation, which allows the user to erase the entire memory array to the "1s" state. This is useful when the entire device must be quickly erased.

The Chip-Erase operation is initiated by executing a six-byte Software Data Protection command sequence with Chip-Erase command (10H) with address 555H in the last byte sequence. The internal Erase operation begins with the rising edge of the sixth WE# or CE#, whichever occurs first. During the internal Erase operation, the only valid read is Toggle Bit or Data# Polling. See Table 4 for the command sequence, Figure 10 for the timing diagram, and Figure 19 for the flowchart. Any commands written during the Chip-Erase operation will be ignored.

Write Operation Status Detection

The SST29SF020/040 and SST29VF020/040 devices provide two software means to detect the completion of a Write (Program or Erase) cycle, in order to optimize the system Write cycle time. The software detection includes two status bits: Data# Polling (DQ₇) and Toggle Bit (DQ₆). The End-of-Write detection mode is enabled after the rising edge of WE# which initiates the internal Program or Erase operation.

The actual completion of the nonvolatile write is asynchronous with the system; therefore, either a Data# Polling or Toggle Bit read may be simultaneous with the completion of the Write cycle. If this occurs, the system may possibly get an erroneous result, i.e., valid data may appear to conflict with either DQ₇ or DQ₆. In order to prevent spurious rejection, if an erroneous result occurs, the software routine should include a loop to read the accessed location an additional two (2) times. If both reads are valid, then the device has completed the Write cycle, otherwise the rejection is valid.



Data# Polling (DQ₇)

When the SST29SF020/040 and SST29VF020/040 devices are in the internal Program operation, any attempt to read DQ₇ will produce the complement of the true data. Once the Program operation is completed, DQ₇ will produce true data. Note that even though DQ₇ may have valid data immediately following the completion of an internal Write operation, the remaining data outputs may still be invalid: valid data on the entire data bus will appear in subsequent successive Read cycles after an interval of 1 μ s. During internal Erase operation, any attempt to read DQ₇ will produce a '0'. Once the internal Erase operation is completed, DQ₇ will produce a '1'. The Data# Polling is valid after the rising edge of fourth WE# (or CE#) pulse for Program operation. For Sector- or Chip-Erase, the Data# Polling is valid after the rising edge of sixth WE# (or CE#) pulse. See Figure 7 for Data# Polling timing diagram and Figure 17 for a flow-chart.

Toggle Bit (DQ₆)

During the internal Program or Erase operation, any consecutive attempts to read DQ₆ will produce alternating '0's and '1's, i.e., toggling between 0 and 1. When the internal Program or Erase operation is completed, the toggling will stop. The device is then ready for the next operation. The Toggle Bit is valid after the rising edge of fourth WE# (or CE#) pulse for Program operation. For Sector or Chip-Erase, the Toggle Bit is valid after the rising edge of sixth WE# (or CE#) pulse. See Figure 8 for Toggle Bit timing diagram and Figure 17 for a flowchart.

Data Protection

The SST29SF020/040 and SST29VF020/040 devices provide both hardware and software features to protect nonvolatile data from inadvertent writes.

Hardware Data Protection

Noise/Glitch Protection: A WE# or CE# pulse of less than 5 ns will not initiate a Write cycle.

V_{DD} Power Up/Down Detection: The Write operation is inhibited when V_{DD} is less than 2.5V for SST29SF020/040. The Write operation is inhibited when V_{DD} is less than 1.5V for SST29VF020/040.

Write Inhibit Mode: Forcing OE# low, CE# high, or WE# high will inhibit the Write operation. This prevents inadvertent writes during power-up or power-down.

Software Data Protection (SDP)

The SST29SF020/040 and SST29VF020/040 provide the JEDEC approved Software Data Protection scheme for all data alteration operations, i.e., Program and Erase. Any Program operation requires the inclusion of a series of three-byte sequence. The three-byte load sequence is used to initiate the Program operation, providing optimal protection from inadvertent Write operations, e.g., during the system power-up or power-down. Any Erase operation requires the inclusion of a six-byte load sequence. These devices are shipped with the Software Data Protection permanently enabled. The specific software command codes are shown in Table 4. During SDP command sequence, invalid commands will abort the device to read mode, within T_{RC}.



Product Identification

The Product Identification mode identifies the devices as SST29SF020, SST29SF040 and SST29VF020, SST29VF040 and manufacturer as SST. This mode may be accessed by software operations. Users may use the Software Product Identification operation to identify the part (i.e., using the device ID) when using multiple manufacturers in the same socket. For details, see Table 4 for software operation, Figure 11 for the Software ID Entry and Read timing diagram, and Figure 18 for the Software ID Entry command sequence flowchart.

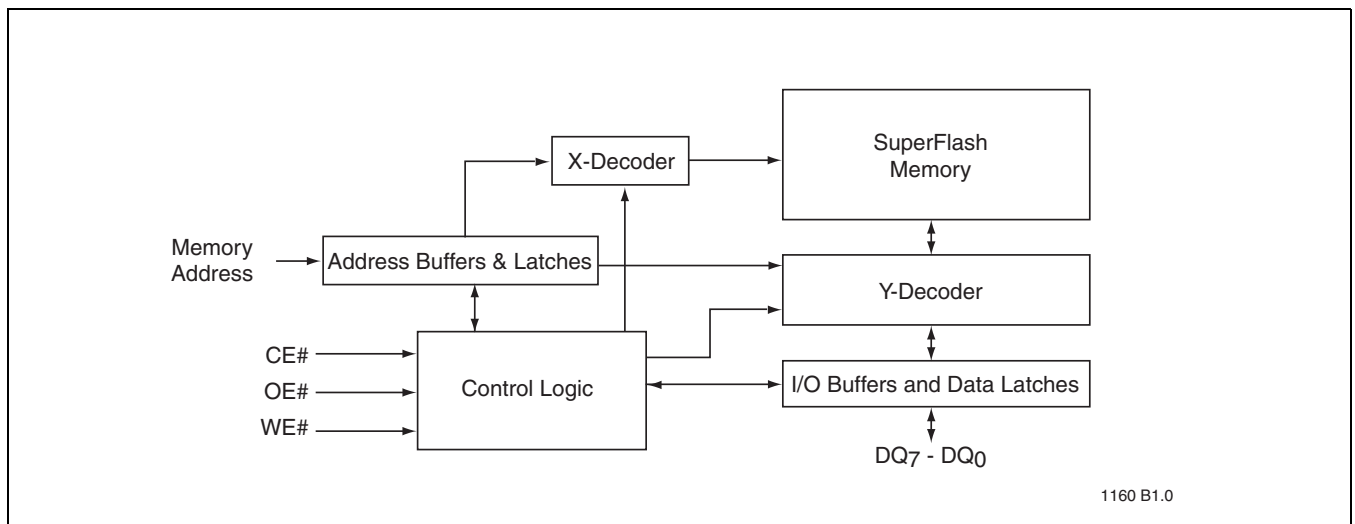
Product Identification Mode Exit/Reset

In order to return to the standard Read mode, the Software Product Identification mode must be exited. Exit is accomplished by issuing the Software ID Exit command sequence, which returns the device to the Read operation. Please note that the Software ID Exit command is ignored during an internal Program or Erase operation. See Table 4 for software command codes, Figure 12 for timing waveform, and Figure 18 for a flowchart.

TABLE 1: Product Identification

	Address	Data
Manufacturer's ID	0000H	BFH
Device ID		
SST29SF020	0001H	24H
SST29VF020	0001H	25H
SST29SF040	0001H	13H
SST29VF040	0001H	14H

T1.3 1160



1160 B1.0

FIGURE 1: Functional Block Diagram

2 Mbit / 4 Mbit Small-Sector Flash
SST29SF020 / SST29SF040
SST29VF020 / SST29VF040



Data Sheet

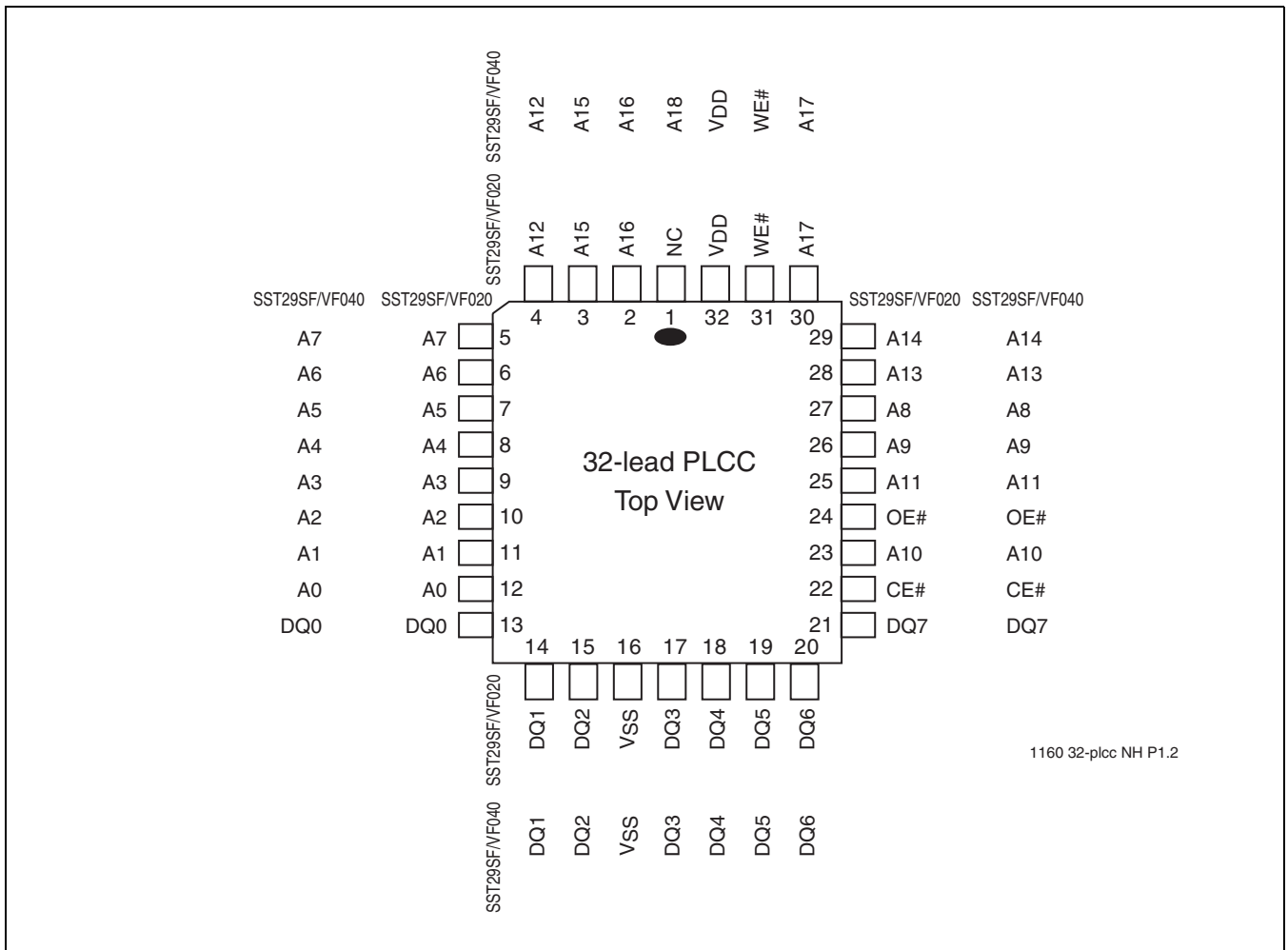


FIGURE 2: Pin Assignments for 32-lead PLCC

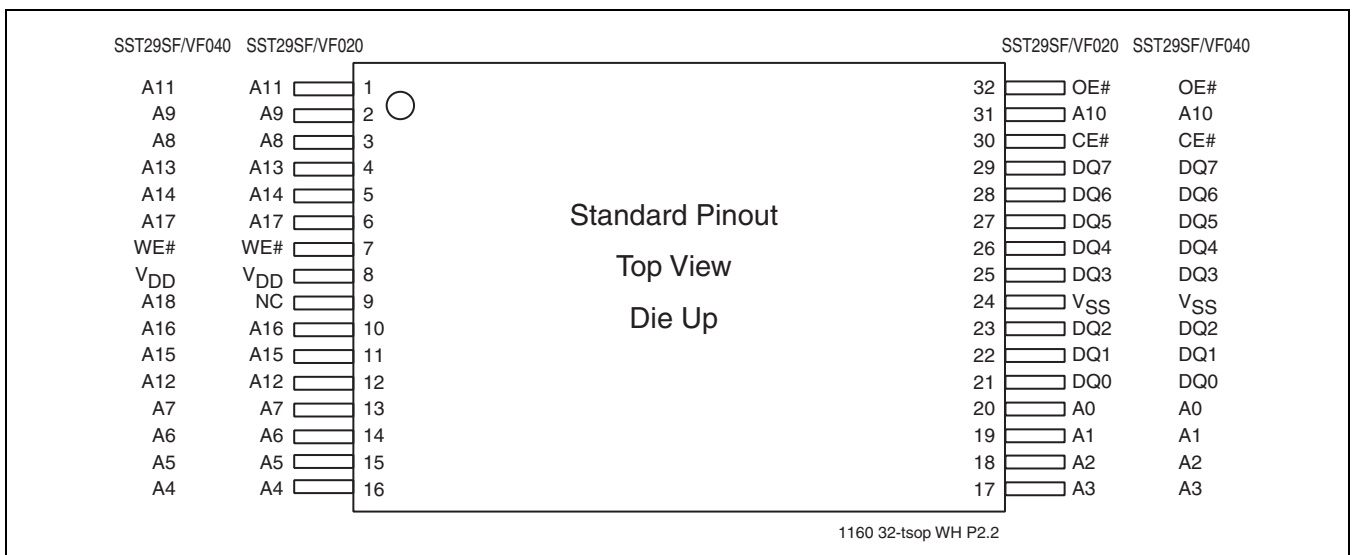


FIGURE 3: Pin Assignments for 32-lead TSOP (8mm x 14mm)



2 Mbit / 4 Mbit Small-Sector Flash
SST29SF020 / SST29SF040
SST29VF020 / SST29VF040

Data Sheet

TABLE 2: Pin Description

Symbol	Pin Name	Functions
$A_{MS}^1-A_0$	Address Inputs	To provide memory addresses. During Sector-Erase $A_{MS}-A_8$ address lines will select the sector.
DQ ₇ -DQ ₀	Data Input/output	To output data during Read cycles and receive input data during Write cycles. Data is internally latched during a Write cycle. The outputs are in tri-state when OE# or CE# is high.
CE#	Chip Enable	To activate the device when CE# is low.
OE#	Output Enable	To gate the data output buffers.
WE#	Write Enable	To control the Write operations.
V _{DD}	Power Supply	To provide power supply voltage: 4.5-5.5V for SST29SF020/040 2.7-3.6V for SST29VF020/040
V _{SS}	Ground	
NC	No Connection	Pin not connected internally

T2.5 1160

1. A_{MS} = Most significant address
 $A_{MS} = A_{17}$ for SST29SF/VF020 and A_{18} for SST29SF/VF040

TABLE 3: Operation Modes Selection

Mode	CE#	OE#	WE#	DQ	Address
Read	V _{IL}	V _{IL}	V _{IH}	D _{OUT}	A _{IN}
Program	V _{IL}	V _{IH}	V _{IL}	D _{IN}	A _{IN}
Erase	V _{IL}	V _{IH}	V _{IL}	X ¹	Sector address, XXH for Chip-Erase
Standby	V _{IH}	X	X	High Z	X
Write Inhibit	X	V _{IL}	X	High Z/ D _{OUT}	X
	X	X	V _{IH}	High Z/ D _{OUT}	X
Product Identification					
Software Mode	V _{IL}	V _{IL}	V _{IH}		See Table 4

T3.4 1160

1. X can be V_{IL} or V_{IH}, but no other value.

2 Mbit / 4 Mbit Small-Sector Flash
SST29SF020 / SST29SF040
SST29VF020 / SST29VF040



Data Sheet

TABLE 4: Software Command Sequence

Command Sequence	1st Bus Write Cycle		2nd Bus Write Cycle		3rd Bus Write Cycle		4th Bus Write Cycle		5th Bus Write Cycle		6th Bus Write Cycle	
	Addr ¹	Data	Addr ¹	Data	Addr ¹	Data	Addr ¹	Data	Addr ¹	Data	Addr ¹	Data
Byte-Program	555H	AAH	2AAH	55H	555H	A0H	BA ²	Data				
Sector-Erase	555H	AAH	2AAH	55H	555H	80H	555H	AAH	2AAH	55H	SA _X ³	20H
Chip-Erase	555H	AAH	2AAH	55H	555H	80H	555H	AAH	2AAH	55H	555H	10H
Software ID Entry ^{4,5}	555H	AAH	2AAH	55H	555H	90H						
Software ID Exit ⁶	XXH	F0H										
Software ID Exit ⁶	555H	AAH	2AAH	55H	555H	F0H						

T4.7 1160

- Address format A₁₄-A₀ (Hex),
Addresses A₁₅-A_{MS} can be V_{IL} or V_{IH}, but no other value, for the Command sequence for SST29SF/VF020/040.
A_{MS} = Most significant address
A_{MS} = A₁₇ for SST29SF/VF020 and A₁₈ for SST29SF/VF040.
- BA = Program Byte address
- SA_X for Sector-Erase; uses A_{MS}-A₇ address lines for SST29SF/VF020/040
- The device does not remain in Software Product ID mode if powered down.
- With A_{MS}-A₁ = 0; SST Manufacturer's ID = BFH, is read with A₀ = 0,
SST29SF020 Device ID = 24H, is read with A₀ = 1
SST29VF020 Device ID = 25H, is read with A₀ = 1
SST29SF040 Device ID = 13H, is read with A₀ = 1
SST29VF040 Device ID = 14H, is read with A₀ = 1
- Both Software ID Exit operations are equivalent



2 Mbit / 4 Mbit Small-Sector Flash SST29SF020 / SST29SF040 SST29VF020 / SST29VF040

Data Sheet

Absolute Maximum Stress Ratings (Applied conditions greater than those listed under “Absolute Maximum Stress Ratings” may cause permanent damage to the device. This is a stress rating only and functional operation of the device at these conditions or conditions greater than those defined in the operational sections of this data sheet is not implied. Exposure to absolute maximum stress rating conditions may affect device reliability.)

Temperature Under Bias	-55°C to +125°C
Storage Temperature	-65°C to +150°C
D. C. Voltage on Any Pin to Ground Potential	-0.5V to V _{DD} +0.5V
Transient Voltage (<20 ns) on Any Pin to Ground Potential	-2.0V to V _{DD} +2.0V
Voltage on A ₉ Pin to Ground Potential	-0.5V to 13.2V
Package Power Dissipation Capability (T _A = 25°C)	1.0W
Through Hole Lead Soldering Temperature (10 Seconds)	300°C
Surface Mount Solder Reflow Temperature ¹	260°C for 10 seconds
Output Short Circuit Current ²	50 mA

1. Excluding certain with-Pb 32-PLCC units, all packages are 260°C capable in both non-Pb and with-Pb solder versions. Certain with-Pb 32-PLCC package types are capable of 240°C for 10 seconds; please consult the factory for the latest information.
2. Outputs shorted for no more than one second. No more than one output shorted at a time.

Operating Range for SST29SF020/040

Range	Ambient Temp	V _{DD}
Commercial	0°C to +70°C	4.5-5.5V
Industrial	-40°C to +85°C	4.5-5.5V

Operating Range for SST29VF020/040

Range	Ambient Temp	V _{DD}
Commercial	0°C to +70°C	2.7-3.6V
Industrial	-40°C to +85°C	2.7-3.6V

AC Conditions of Test

Input Rise/Fall Time	5 ns
Output Load	C _L = 30 pF for 55 ns
Output Load	C _L = 100 pF for 70 ns
See Figures 13, 14, and 15	

TABLE 5: DC Operating Characteristics V_{DD} = 4.5-5.5V for SST29SF020/040

Symbol	Parameter	Limits			Test Conditions
		Min	Max	Units	
I _{DD}	Power Supply Current				Address input=V _{IL} /V _{IH} , at f=1/T _{RC} Min V _{DD} =V _{DD} Max
	Read		25	mA	CE#=OE#=V _{IL} , WE#=V _{IH} , all I/Os open
	Write		30	mA	CE#=WE#=V _{IL} , OE#=V _{IH}
I _{SB1}	Standby V _{DD} Current (TTL input)		3	mA	CE#=V _{IH} , V _{DD} =V _{DD} Max
I _{SB2}	Standby V _{DD} Current (CMOS input)		100	µA	CE#=V _{IHC} , V _{DD} =V _{DD} Max
I _{LI}	Input Leakage Current		1	µA	V _{IN} =GND to V _{DD} , V _{DD} =V _{DD} Max
I _{LO}	Output Leakage Current		10	µA	V _{OUT} =GND to V _{DD} , V _{DD} =V _{DD} Max
V _{IL}	Input Low Voltage		0.8	V	V _{DD} =V _{DD} Min
V _{IH}	Input High Voltage	2.0		V	V _{DD} =V _{DD} Max
V _{IHC}	Input High Voltage (CMOS)	V _{DD} -0.3		V	V _{DD} =V _{DD} Max
V _{OL}	Output Low Voltage		0.4	V	I _{OL} =2.1 µA, V _{DD} =V _{DD} Min
V _{OH}	Output High Voltage	2.4		V	I _{OH} =-400 µA, V _{DD} =V _{DD} Min

T5.7 1160

2 Mbit / 4 Mbit Small-Sector Flash
SST29SF020 / SST29SF040
SST29VF020 / SST29VF040



Data Sheet

TABLE 6: DC Operating Characteristics $V_{DD} = 2.7-3.6V$ for SST29VF020/040

Symbol	Parameter	Limits			Test Conditions
		Min	Max	Units	
I_{DD}	Power Supply Current				Address input= V_{IL}/V_{IH} , at $f=1/T_{RC}$ Min $V_{DD}=V_{DD}$ Max
	Read		25	mA	$CE\#=OE\#=V_{IL}$, $WE\#=V_{IH}$, all I/Os open
	Write		30	mA	$CE\#=WE\#=V_{IL}$, $OE\#=V_{IH}$
I_{SB}	Standby V_{DD} Current		15	μA	$CE\#=V_{IHC}$, $V_{DD}=V_{DD}$ Max
I_{LI}	Input Leakage Current		1	μA	$V_{IN}=GND$ to V_{DD} , $V_{DD}=V_{DD}$ Max
I_{LO}	Output Leakage Current		10	μA	$V_{OUT}=GND$ to V_{DD} , $V_{DD}=V_{DD}$ Max
V_{IL}	Input Low Voltage		0.8	V	$V_{DD}=V_{DD}$ Min
V_{IH}	Input High Voltage	$0.7V_{DD}$		V	$V_{DD}=V_{DD}$ Max
V_{IHC}	Input High Voltage (CMOS)	$V_{DD}-0.3$		V	$V_{DD}=V_{DD}$ Max
V_{OL}	Output Low Voltage		0.2	V	$I_{OL}=100 \mu A$, $V_{DD}=V_{DD}$ Min
V_{OH}	Output High Voltage	$V_{DD}-0.2$		V	$I_{OH}=-100 \mu A$, $V_{DD}=V_{DD}$ Min

T6.9 1160

TABLE 7: Recommended System Power-up Timings

Symbol	Parameter	Minimum	Units
$T_{PU-READ}^1$	Power-up to Read Operation	100	μs
$T_{PU-WRITE}^1$	Power-up to Program/Erase Operation	100	μs

T7.1 1160

1. This parameter is measured only for initial qualification and after a design or process change that could affect this parameter.

TABLE 8: Capacitance ($T_A = 25^\circ C$, $f=1$ Mhz, other pins open)

Parameter	Description	Test Condition	Maximum
$C_{I/O}^1$	I/O Pin Capacitance	$V_{I/O} = 0V$	12 pF
C_{IN}^1	Input Capacitance	$V_{IN} = 0V$	6 pF

T8.1 1160

1. This parameter is measured only for initial qualification and after a design or process change that could affect this parameter.

TABLE 9: Reliability Characteristics

Symbol	Parameter	Minimum Specification	Units	Test Method
N_{END}^1	Endurance	10,000	Cycles	JEDEC Standard A117
T_{DR}^1	Data Retention	100	Years	JEDEC Standard A103
I_{LTH}^1	Latch Up	$100 + I_{DD}$	mA	JEDEC Standard 78

T9.2 1160

1. This parameter is measured only for initial qualification and after a design or process change that could affect this parameter.



Data Sheet

AC CHARACTERISTICS

TABLE 10: Read Cycle Timing Parameters

$V_{DD} = 4.5-5.5V$ for SST29SF020/040 and $2.7-3.6V$ for SST29VF020/040

Symbol	Parameter	SST29SF020/040-55		SST29VF020/040-70		Units
		Min	Max	Min	Max	
T_{RC}	Read Cycle Time	55		70		ns
T_{CE}	Chip Enable Access Time		55		70	ns
T_{AA}	Address Access Time		55		70	ns
T_{OE}	Output Enable Access Time		30		35	ns
T_{CLZ}^1	CE# Low to Active Output	0		0		ns
T_{OLZ}^1	OE# Low to Active Output	0		0		ns
T_{CHZ}^1	CE# High to High-Z Output		20		25	ns
T_{OHZ}^1	OE# High to High-Z Output		20		25	ns
T_{OH}^1	Output Hold from Address Change	0		0		ns

T10.10 1160

1. This parameter is measured only for initial qualification and after a design or process change that could affect this parameter.

TABLE 11: Program/Erase Cycle Timing Parameters

$V_{DD} = 4.5-5.5V$ for SST29SF020/040 and $2.7-3.6V$ for SST29VF020/040

Symbol	Parameter	Min	Max	Units
T_{BP}	Byte-Program Time		20	μs
T_{AS}	Address Setup Time	0		ns
T_{AH}	Address Hold Time	30		ns
T_{CS}	WE# and CE# Setup Time	0		ns
T_{CH}	WE# and CE# Hold Time	0		ns
T_{OES}	OE# High Setup Time	0		ns
T_{OEH}	OE# High Hold Time	10		ns
T_{CP}	CE# Pulse Width	40		ns
T_{WP}	WE# Pulse Width	40		ns
T_{WPH}^1	WE# Pulse Width High	30		ns
T_{CPH}^1	CE# Pulse Width High	30		ns
T_{DS}	Data Setup Time	40		ns
T_{DH}^1	Data Hold Time	0		ns
T_{IDA}^1	Software ID Access and Exit Time		150	ns
T_{SE}	Sector-Erase		25	ms
T_{SCE}	Chip-Erase		100	ms

T11.9 1160

1. This parameter is measured only for initial qualification and after a design or process change that could affect this parameter.

2 Mbit / 4 Mbit Small-Sector Flash
 SST29SF020 / SST29SF040
 SST29VF020 / SST29VF040



Data Sheet

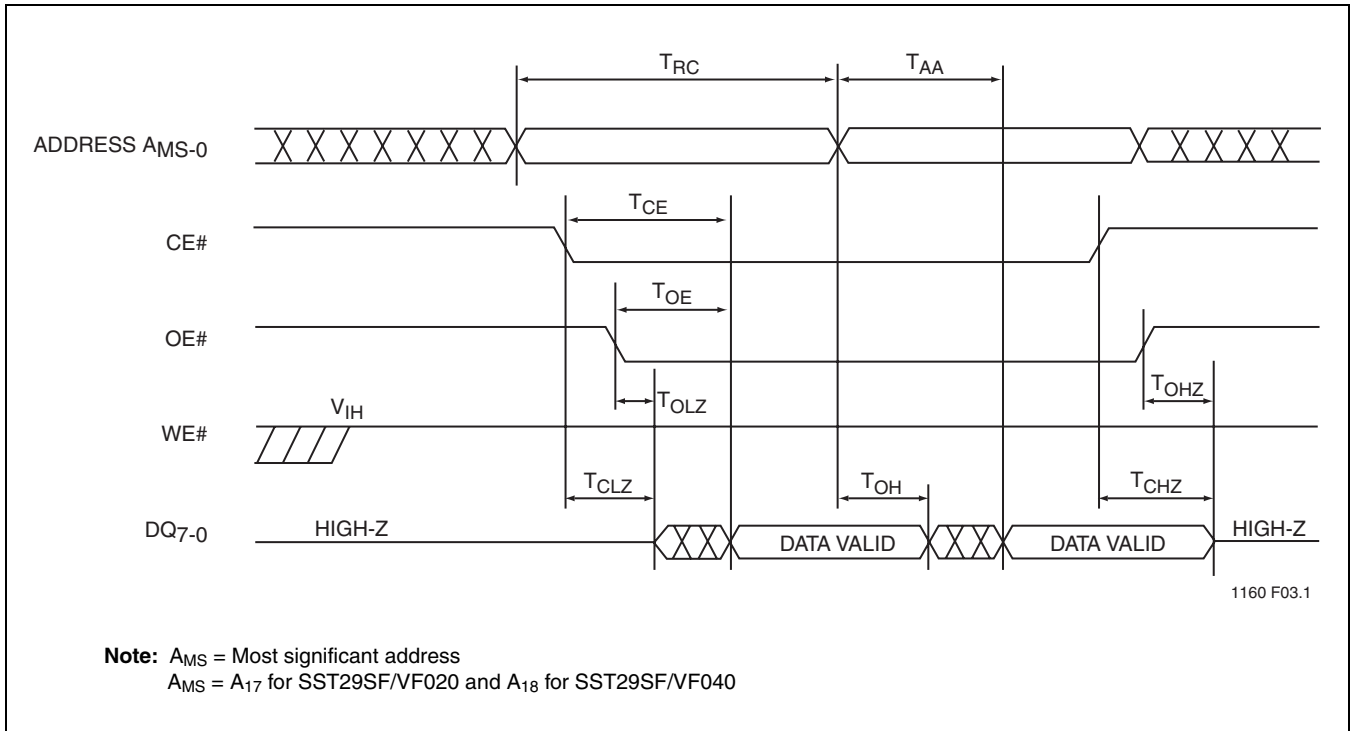


FIGURE 4: Read Cycle Timing Diagram

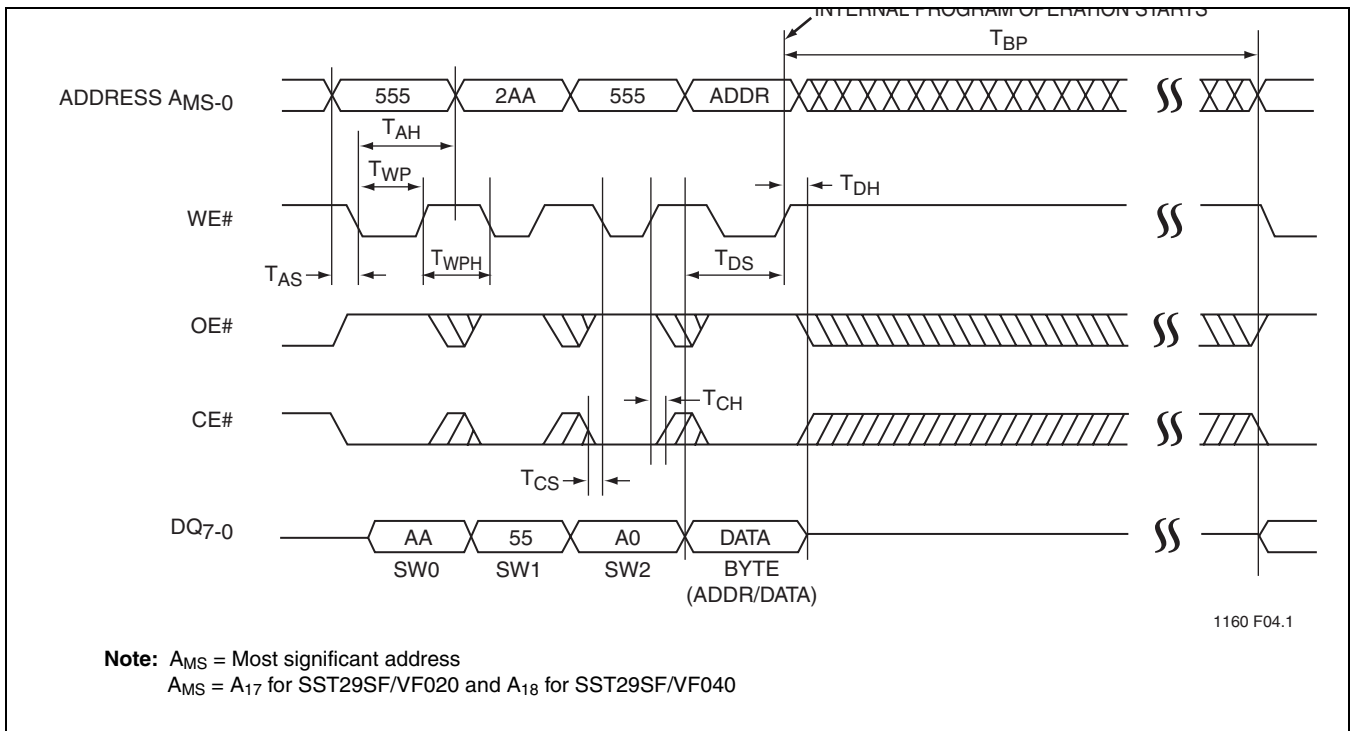
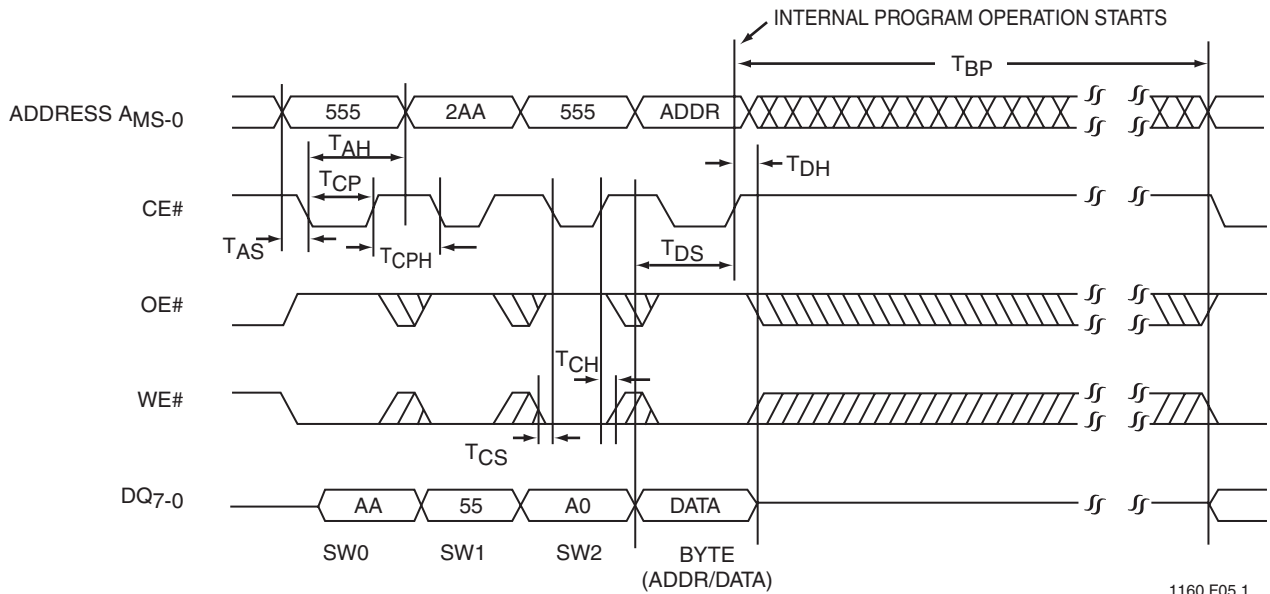


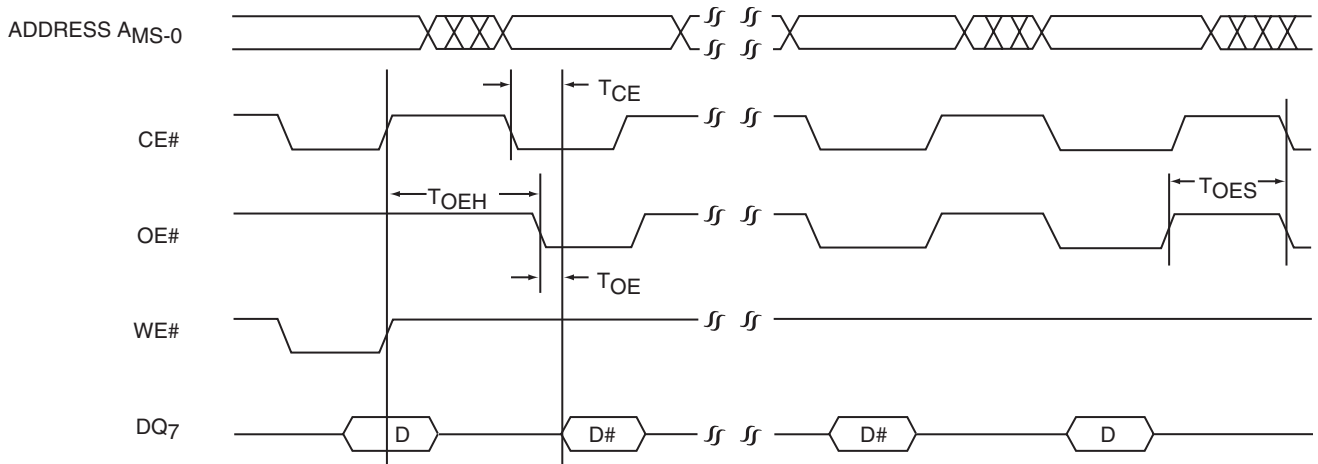
FIGURE 5: WE# Controlled Program Cycle Timing Diagram



1160 F05.1

Note: A_{MS} = Most significant address
 A_{MS} = A_{17} for SST29SF/VF020 and A_{18} for SST29SF/VF040

FIGURE 6: CE# CONTROLLED PROGRAM CYCLE TIMING DIAGRAM



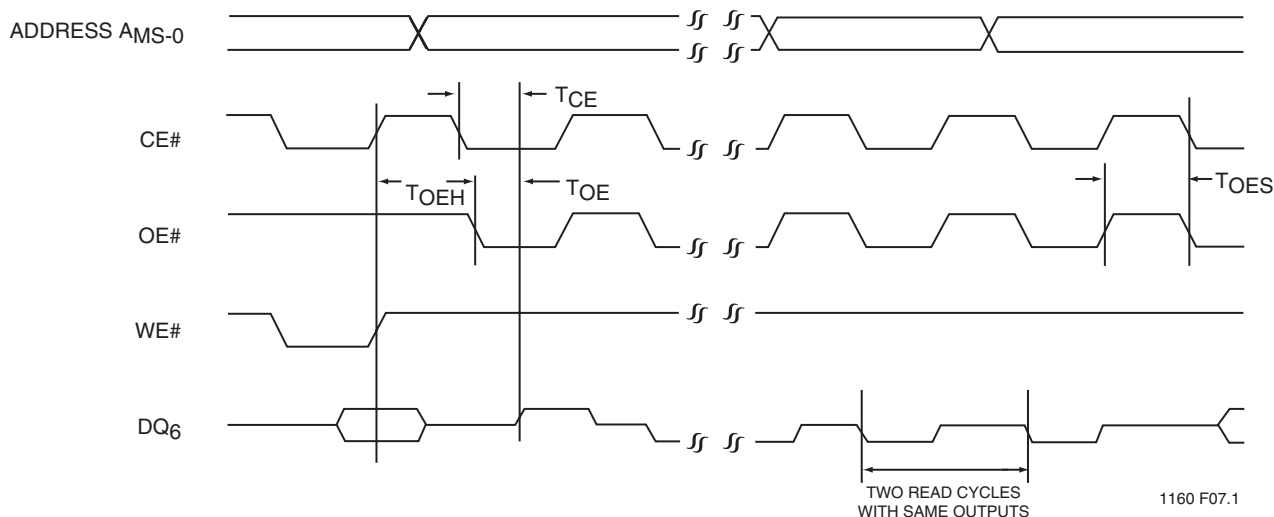
1160 F06.1

FIGURE 7: Data# Polling Timing Diagram

2 Mbit / 4 Mbit Small-Sector Flash
SST29SF020 / SST29SF040
SST29VF020 / SST29VF040

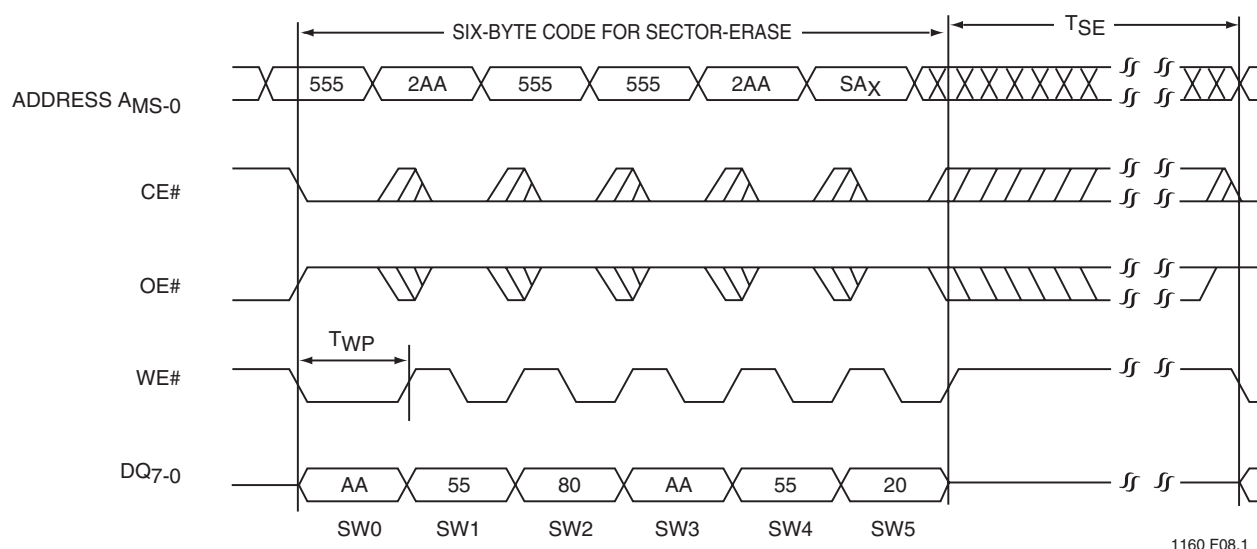


Data Sheet



Note: A_{MS} = Most significant address
 A_{MS} = A_{17} for SST29SF/VF020 and A_{18} for SST29SF/VF040

FIGURE 8: TOGGLE BIT TIMING DIAGRAM



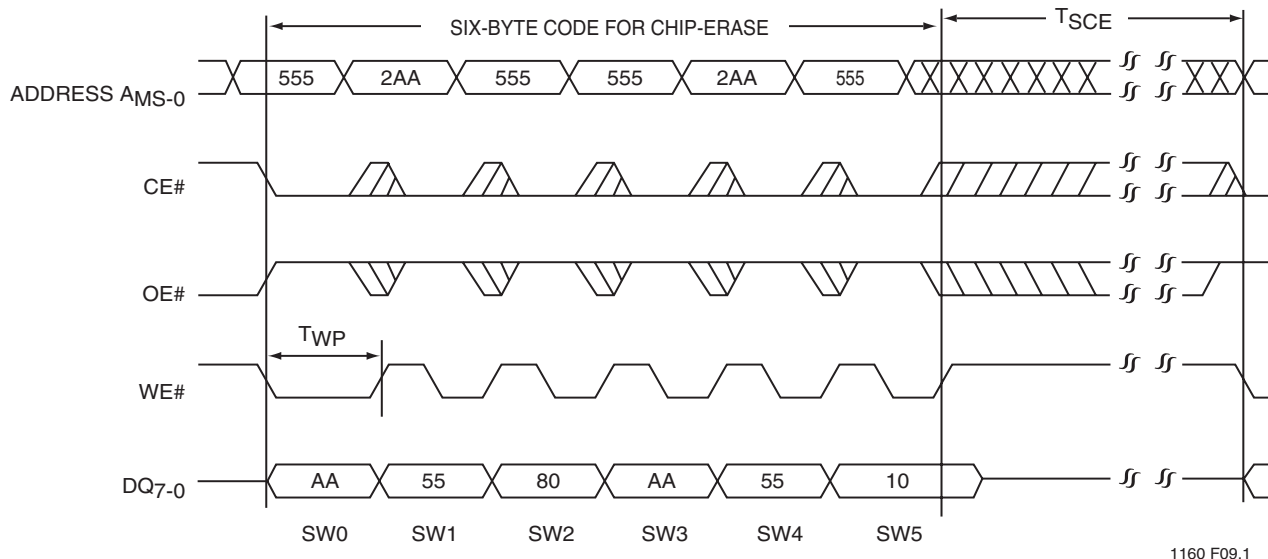
Note: This device also supports CE# controlled Sector-Erase operation. The WE# and CE# signals are interchangeable as long as minimum timings are met. (See Table 11)
 A_{MS} = Most significant address
 A_{MS} = A_{17} for SST29SF/VF020 and A_{18} for SST29SF/VF040
 SA_X = Sector Address.

FIGURE 9: WE# Controlled Sector-Erase Timing Diagram



2 Mbit / 4 Mbit Small-Sector Flash
SST29SF020 / SST29SF040
SST29VF020 / SST29VF040

Data Sheet

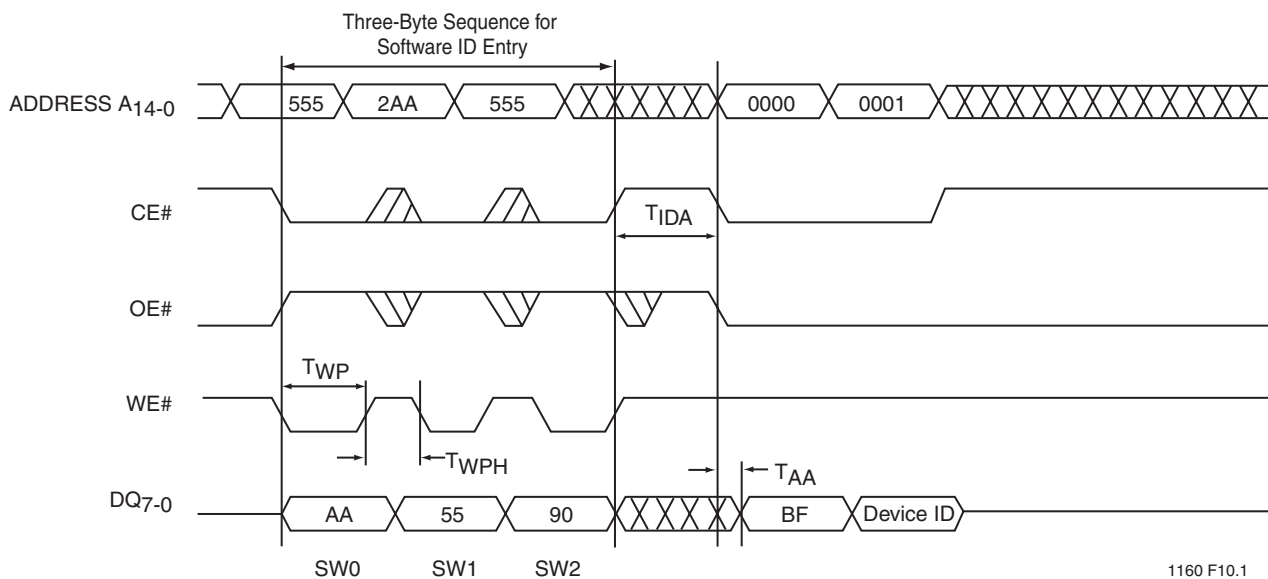


Note: This device also supports CE# controlled Chip-Erase operation. The WE# and CE# signals are interchangeable as long as minimum timings are met. (See Table 11)

A_{MS} = Most significant address

A_{MS} = A₁₇ for SST29SF/VF020 and A₁₈ for SST29SF/VF040

FIGURE 10: WE# CONTROLLED CHIP-ERASE TIMING DIAGRAM



Note: Device ID = 24H for SST29SF020, 13H for SST29SF040
 25H for SST29VF020, 14H for SST29VF040

FIGURE 11: Software ID Entry and Read

2 Mbit / 4 Mbit Small-Sector Flash
 SST29SF020 / SST29SF040
 SST29VF020 / SST29VF040



Data Sheet

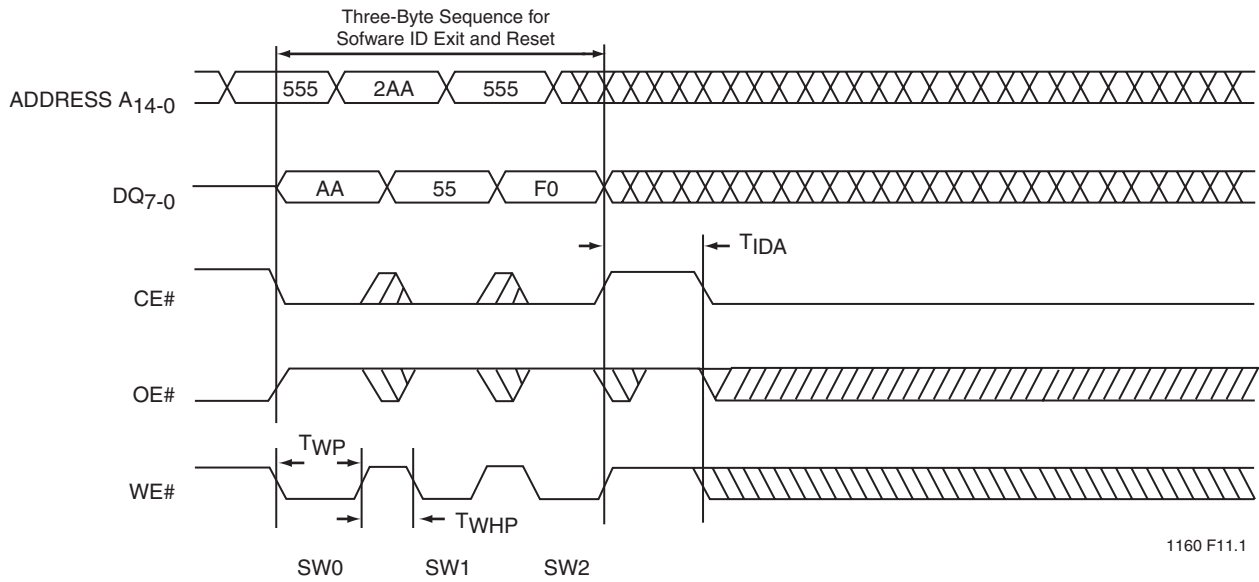


FIGURE 12: SOFTWARE ID EXIT AND RESET



2 Mbit / 4 Mbit Small-Sector Flash
SST29SF020 / SST29SF040
SST29VF020 / SST29VF040

Data Sheet

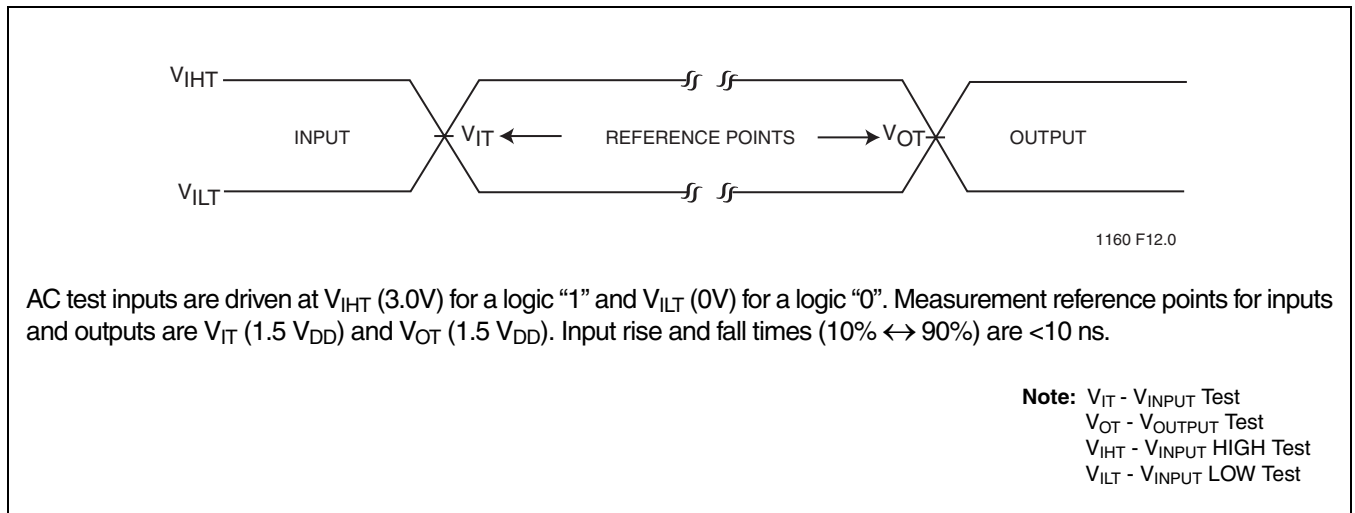


FIGURE 13: AC Input/Output Reference Waveforms for SST29SF020/040

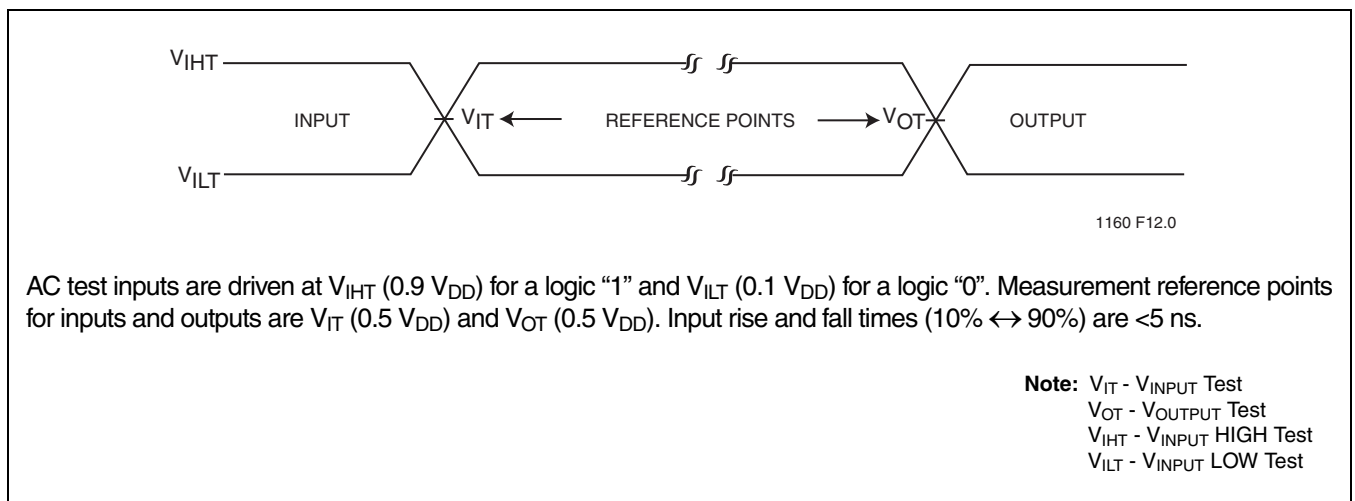


FIGURE 14: AC Input/Output Reference Waveforms for SST29VF020/040

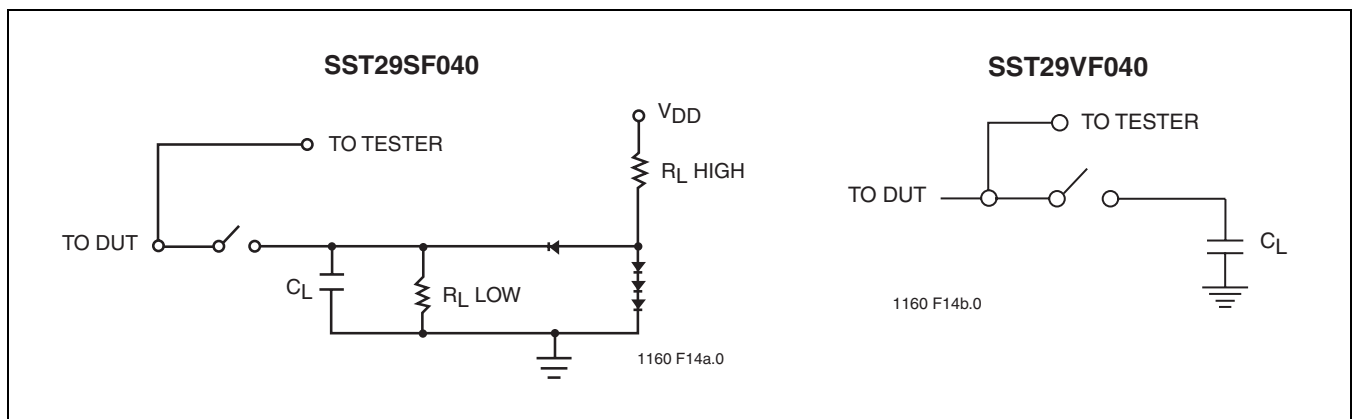


FIGURE 15: Test Load Examples

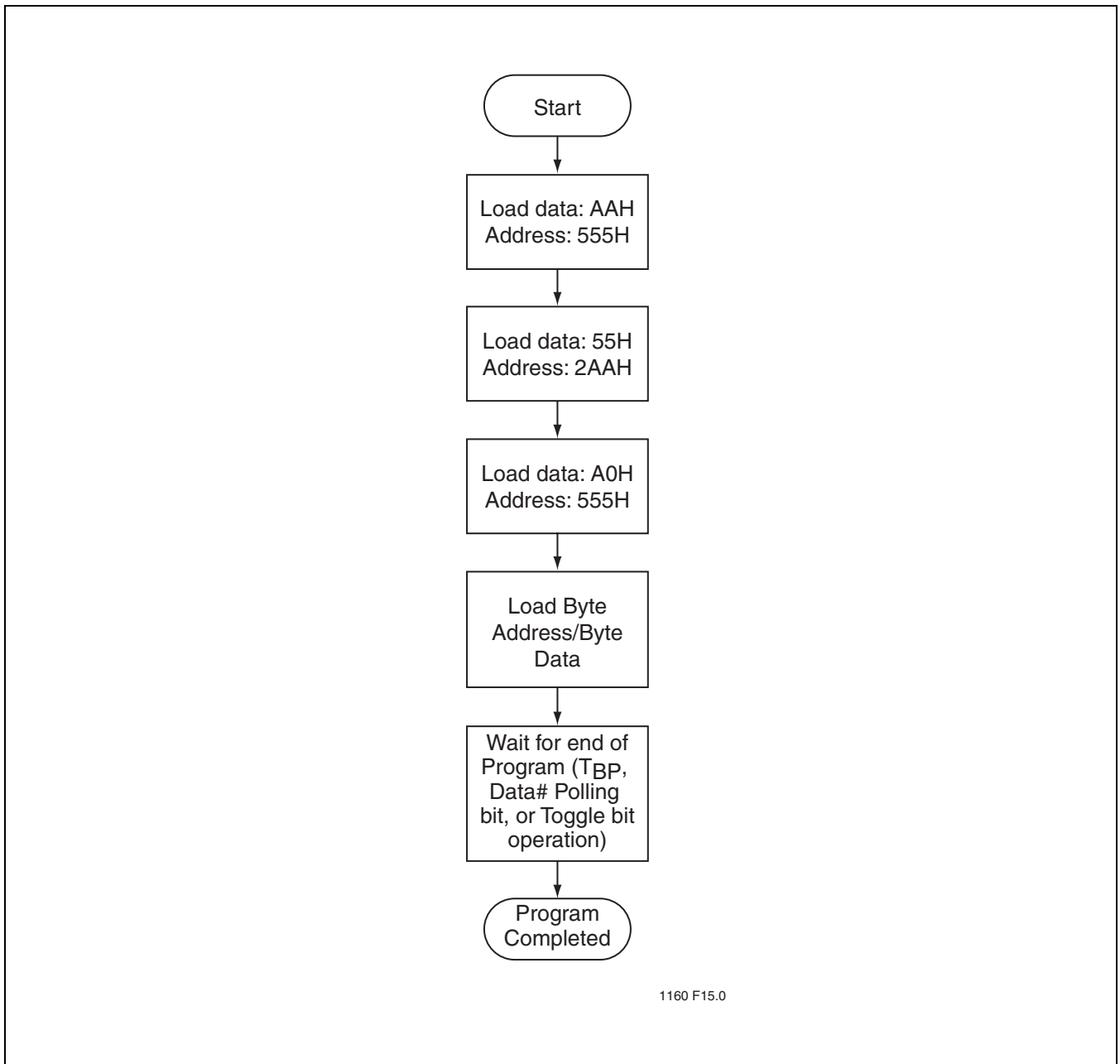


FIGURE 16: Byte-Program Algorithm

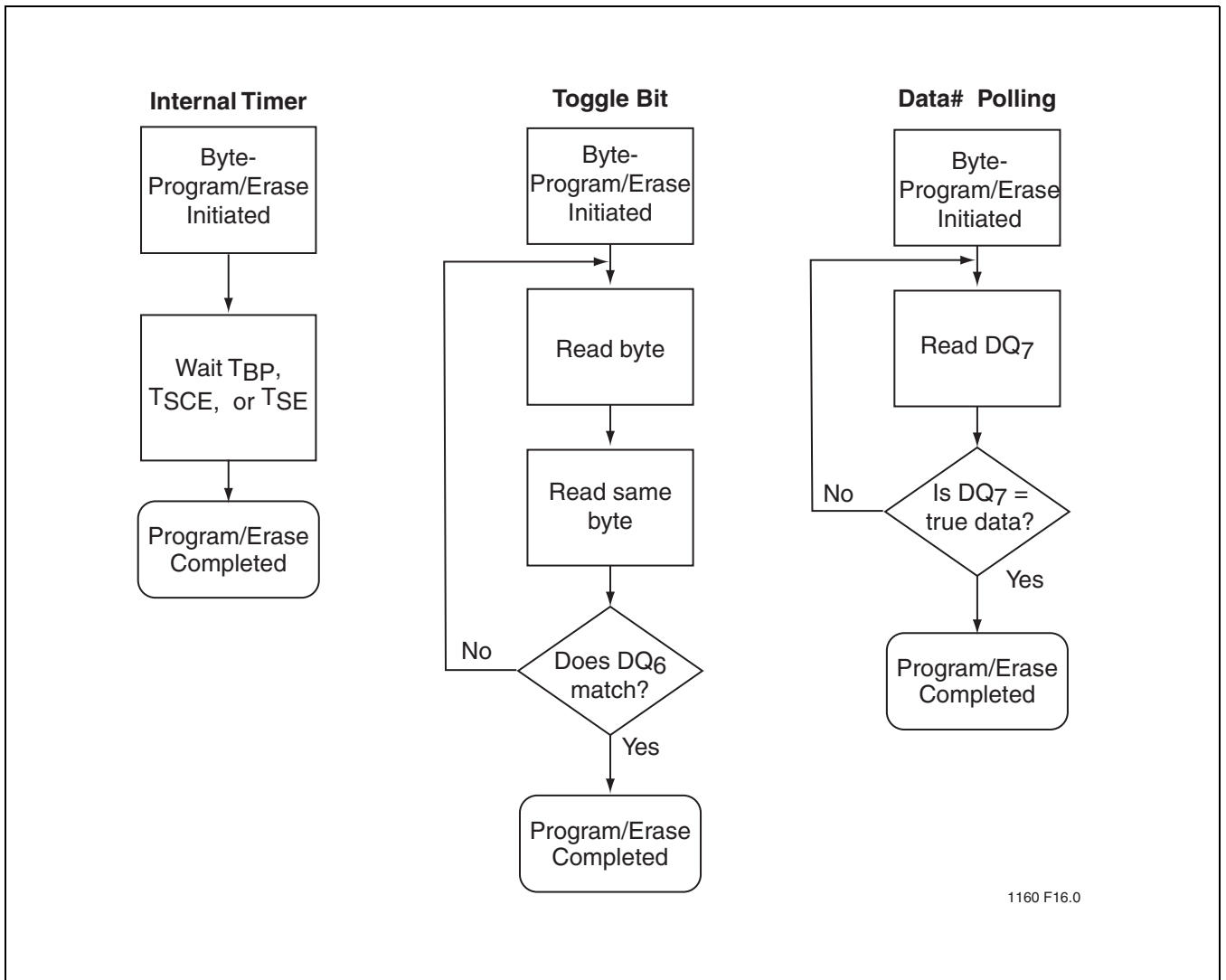


FIGURE 17: Wait Options

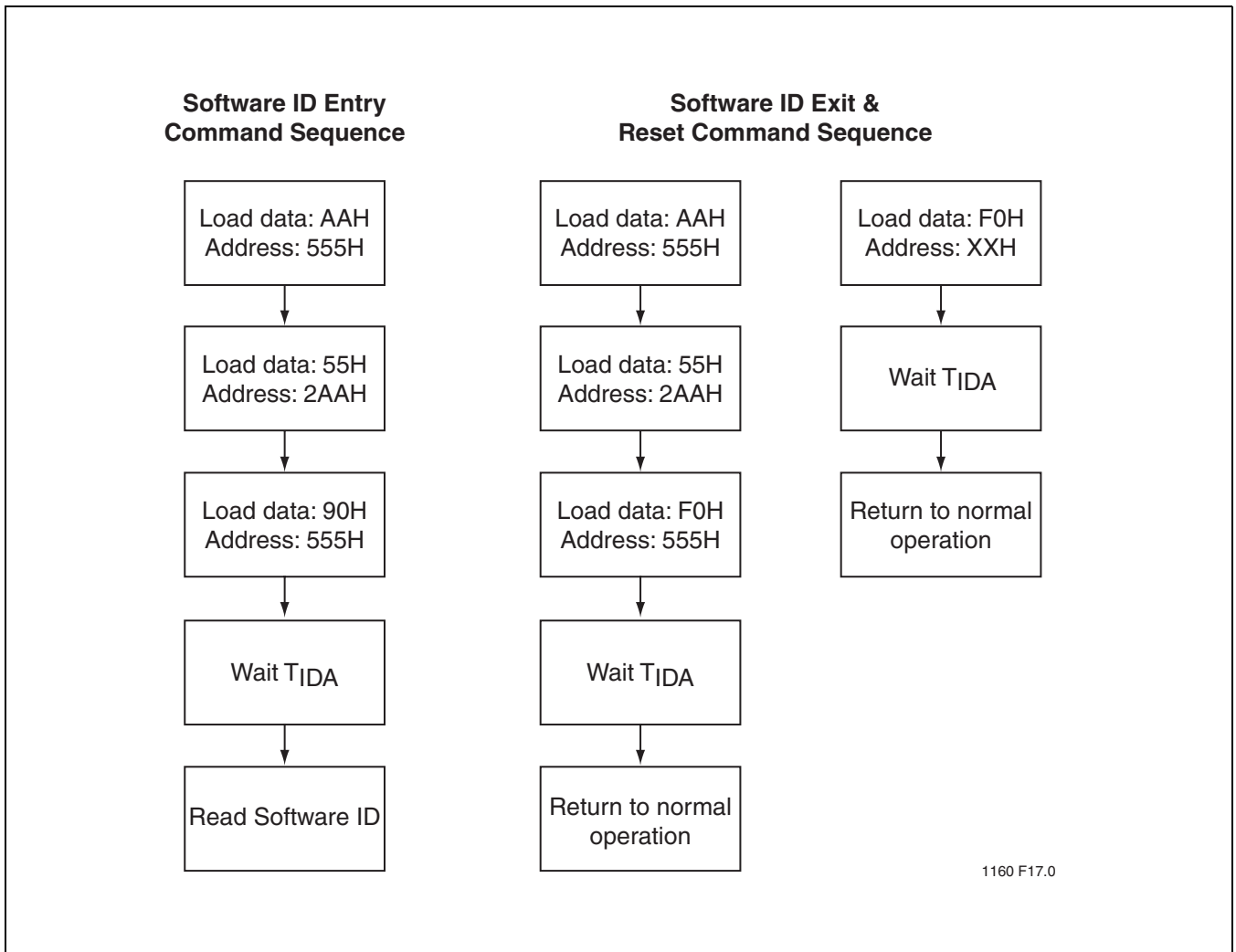
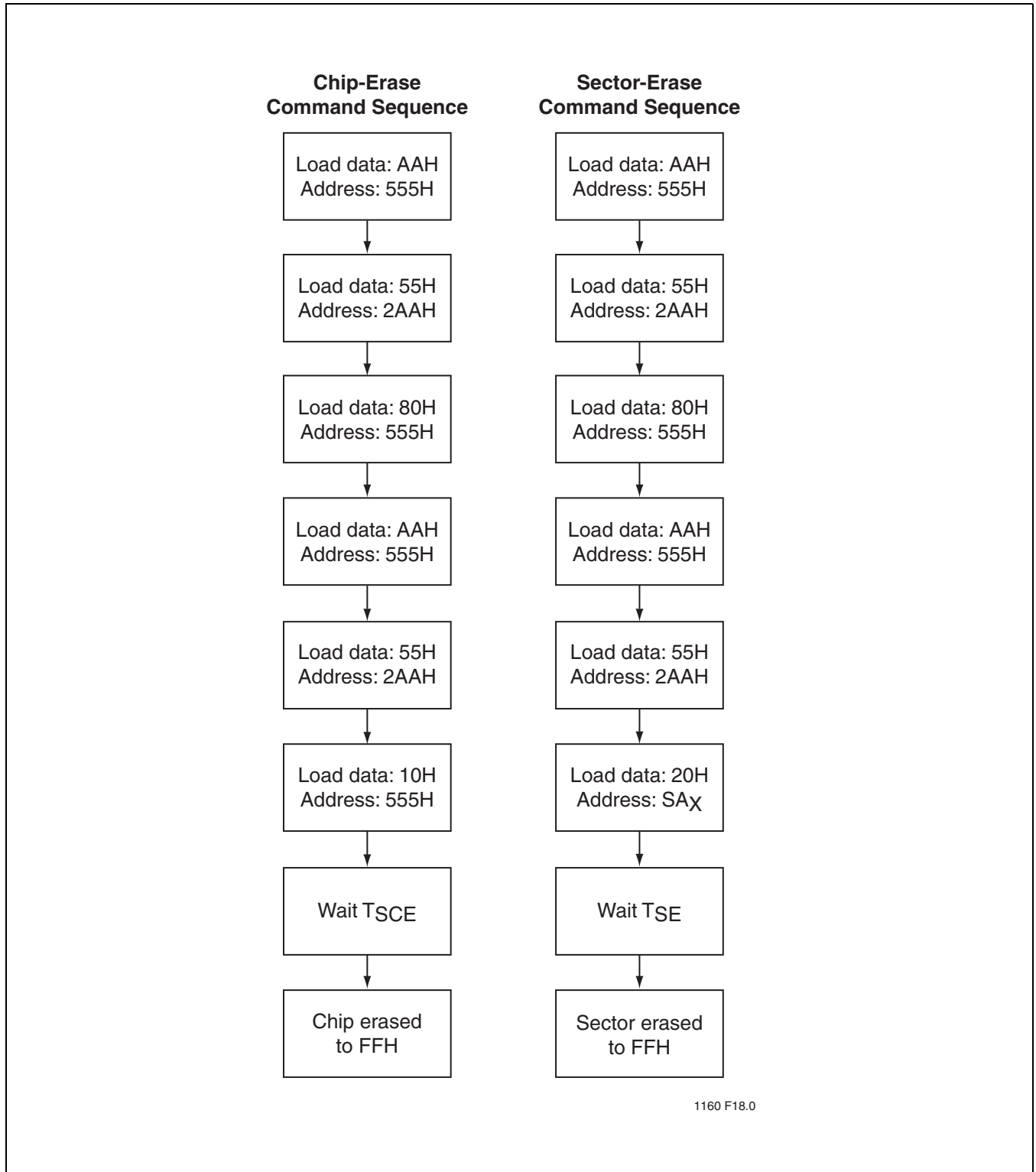


FIGURE 18: Software ID Command Flowcharts



1160 F18.0

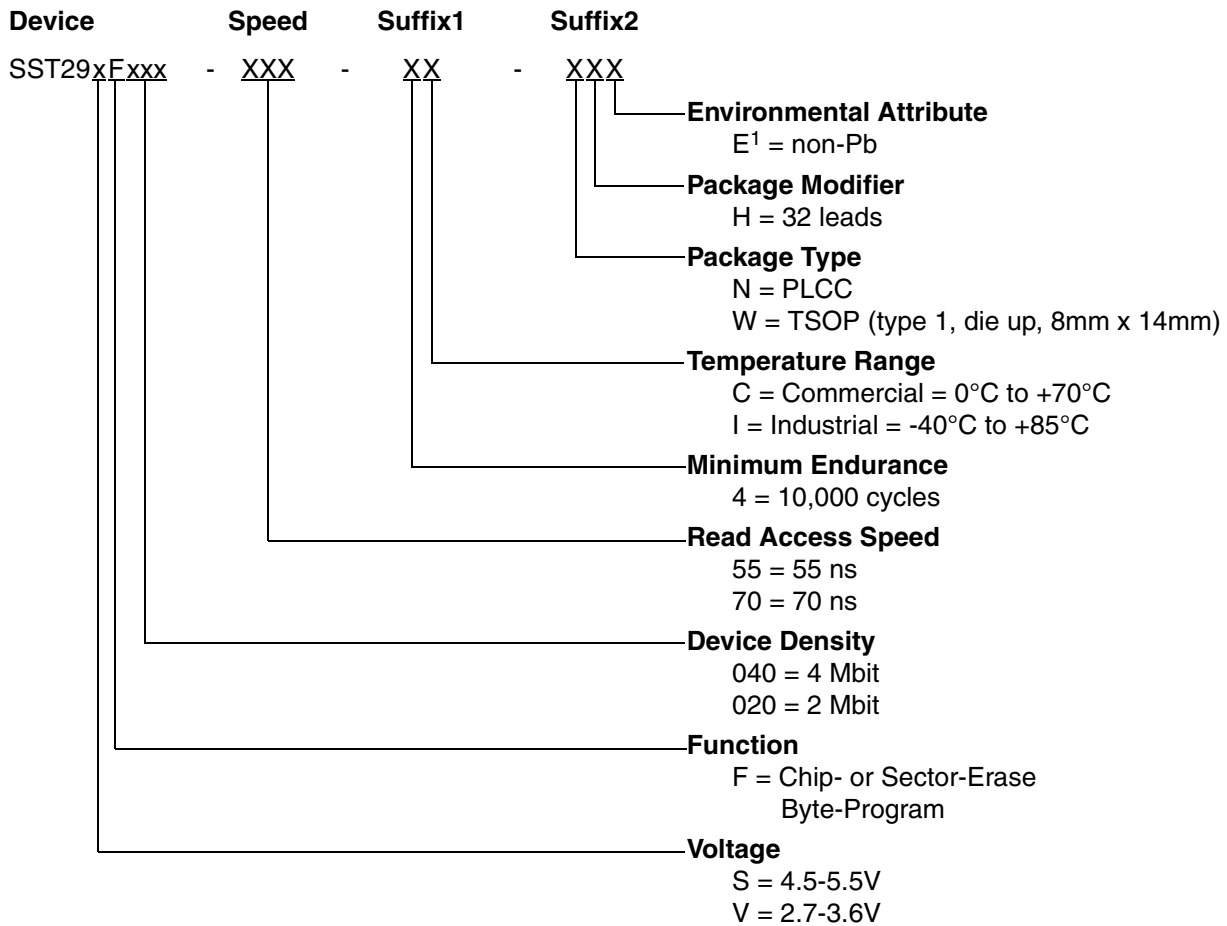
FIGURE 19: Erase Command Sequence

2 Mbit / 4 Mbit Small-Sector Flash
SST29SF020 / SST29SF040
SST29VF020 / SST29VF040



Data Sheet

PRODUCT ORDERING INFORMATION



1. Environmental suffix "E" denotes non-Pb solder.
 SST non-Pb solder devices are "RoHS Compliant".



2 Mbit / 4 Mbit Small-Sector Flash
SST29SF020 / SST29SF040
SST29VF020 / SST29VF040

Data Sheet

Valid combinations for SST29SF020

SST29SF020-55-4C-NHE SST29SF020-55-4C-WHE
SST29SF020-55-4I-NHE SST29SF020-55-4I-WHE

Valid combinations for SST29VF020

SST29VF020-70-4C-NHE SST29VF020-70-4C-WHE
SST29VF020-70-4I-NHE SST29VF020-70-4I-WHE

Valid combinations for SST29SF040

SST29SF040-55-4C-NH SST29SF040-55-4C-WH
SST29SF040-55-4C-NHE SST29SF040-55-4C-WHE
SST29SF040-55-4I-NH SST29SF040-55-4I-WH
SST29SF040-55-4I-NHE SST29SF040-55-4I-WHE

Valid combinations for SST29VF040

SST29VF040-70-4C-NH SST29VF040-70-4C-WH
SST29VF040-70-4C-NHE SST29VF040-70-4C-WHE
SST29VF040-70-4I-NH SST29VF040-70-4I-WH
SST29VF040-70-4I-NHE SST29VF040-70-4I-WHE

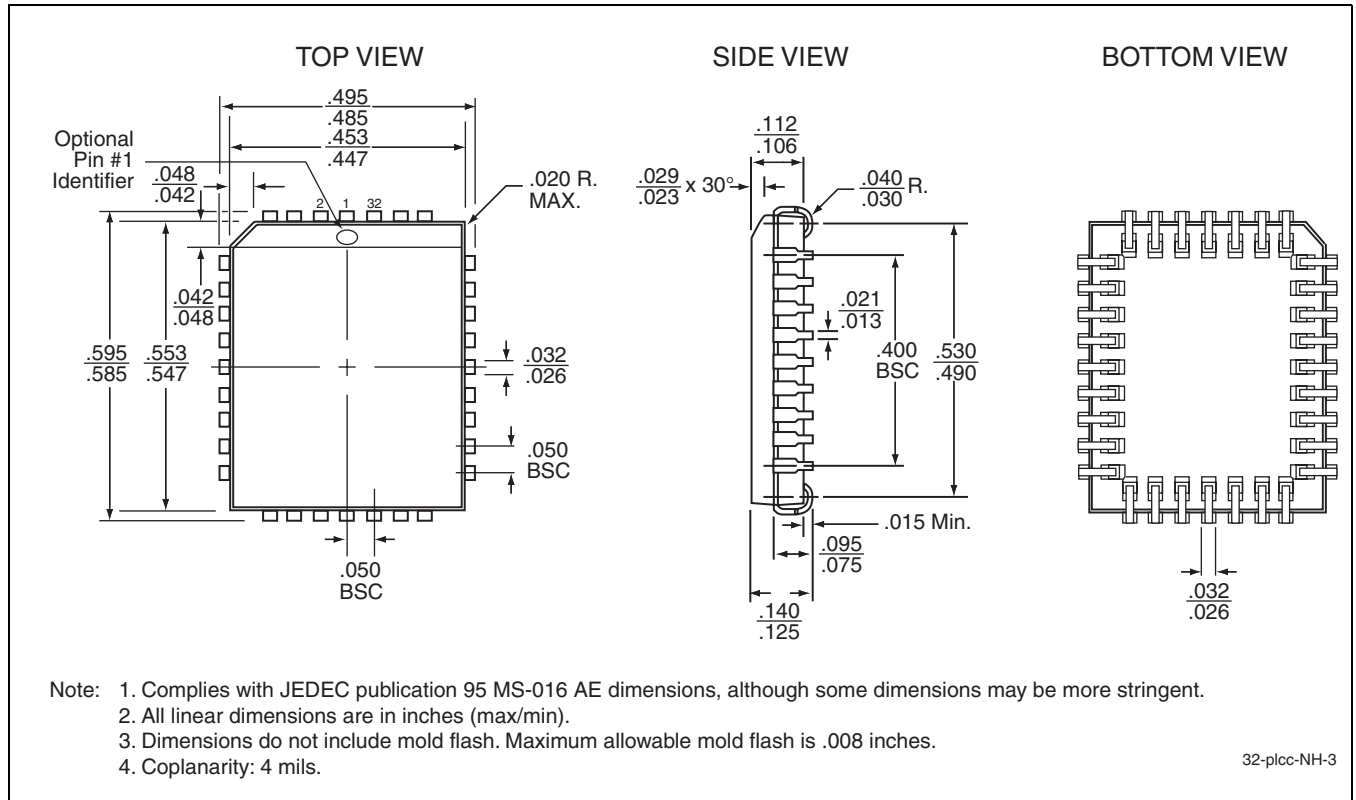
Note: Valid combinations are those products in mass production or will be in mass production. Consult your SST sales representative to confirm availability of valid combinations and to determine availability of new combinations.

2 Mbit / 4 Mbit Small-Sector Flash
SST29SF020 / SST29SF040
SST29VF020 / SST29VF040



Data Sheet

PACKAGING DIAGRAMS

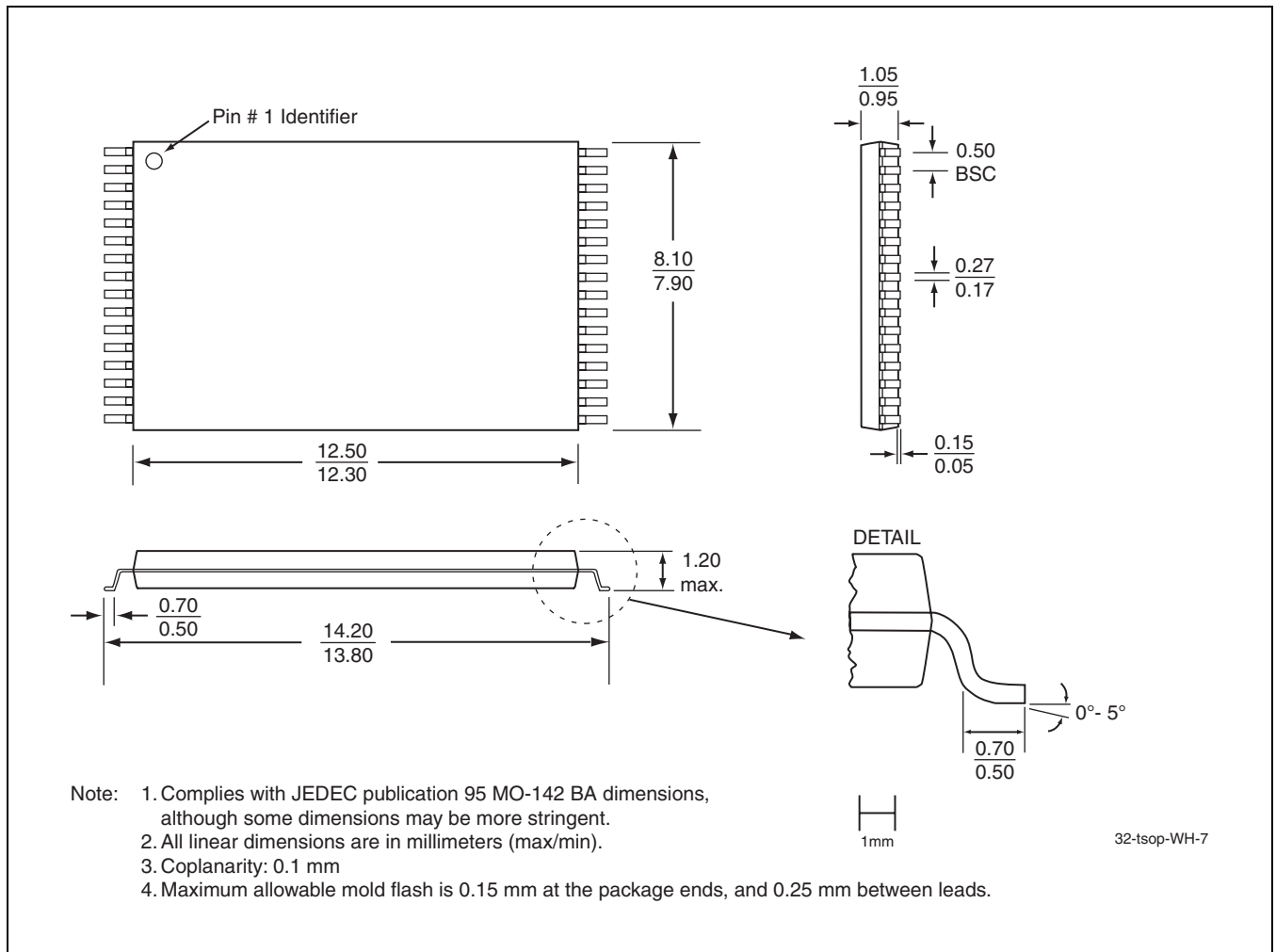


32-lead Plastic Lead Chip Carrier (PLCC)
SST Package Code: NH



2 Mbit / 4 Mbit Small-Sector Flash
SST29SF020 / SST29SF040
SST29VF020 / SST29VF040

Data Sheet



32-lead Thin Small Outline Package (TSOP) 8mm x 14mm
SST Package Code: WH

2 Mbit / 4 Mbit Small-Sector Flash
SST29SF020 / SST29SF040
SST29VF020 / SST29VF040



Data Sheet

TABLE 12: Revision History

Number	Description	Date
05	<ul style="list-style-type: none"> 2002 Data Book 	May 2002
06	<ul style="list-style-type: none"> Removed 512 Kbit, 1 Mbit, and 2 Mbit parts Commercial temperature and 70 ns parts removed PH package is no longer offered Part number changes - see page 22 for additional information Changes to Tables 5 and 6 on page 8 and page 9: <ul style="list-style-type: none"> Clarified Test Conditions for Power Supply Current and Read parameters Clarified I_{DD} Write to be Program and Erase Corrected I_{DD} Program and Erase from 20 mA to 30 mA Corrected I_{DD} Read from 20 mA to 25 mA Clarified measurement reference points V_{IT} and V_{OT} to be 1.5V instead of 1.5V_{DD} Corrected the V_{OL} test condition I_{OL} to be 2.1 mA instead of 2.1 μA in Table 5 on page 8 	Mar 2003
07	<ul style="list-style-type: none"> Corrected the Test Conditions for the Read Parameter in Table 5 on page 8 	Apr 2003
08	<ul style="list-style-type: none"> Added Commercial temperatures for all packages (See page 22 for details) 	Aug 2003
09	<ul style="list-style-type: none"> 2004 Data Book Changed status to "Data Sheet" 	Dec 2003
10	<ul style="list-style-type: none"> Added 70 ns technical data and MPNs for SST29VF040 only 	Feb 2004
11	<ul style="list-style-type: none"> Added RoHS compliance information on page 1 and in the "Product Ordering Information" on page 21 Reinstated 512 Kbit, 1 Mbit, and 2 Mbit devices and MPNs (excluding the PDIP package) Removed 55 ns technical data and MPNs for SST29VF040 Added non-Pb MPNs for all devices Clarified the solder temperature profile under "Absolute Maximum Stress Ratings" on page 8 	Mar 2005
12	<ul style="list-style-type: none"> Removed all entries related to SST29SF/VF512 and SST29SF/VF010 Removed leaded parts for 020 products. 	Nov 2005
13	<ul style="list-style-type: none"> Changed IDD Read from 20mA to 25mA, and Changed IDD Write from 20mA to 30mA in Table 5 on page 8 and Table 6 on page 9 	Oct 2006