

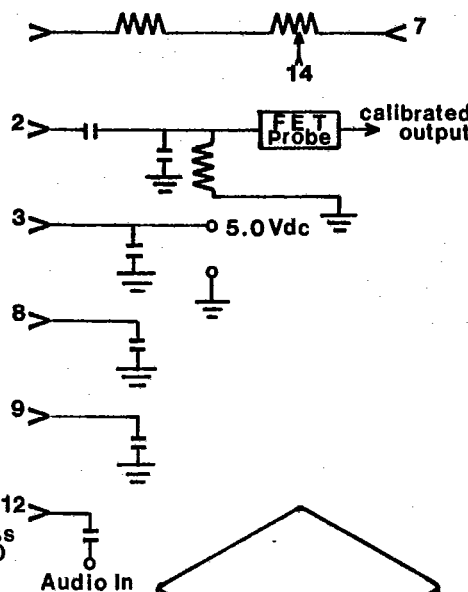


**Sokol
Crystal Products, Inc.**

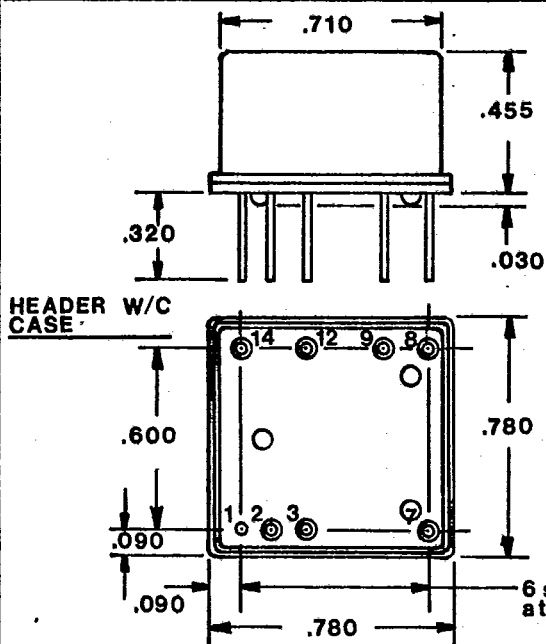
"Where the Impossible Becomes the Ordinary."

SOKOL CRYSTAL PRODUCTS
Presents (TCXO's)
Temp. Controlled Crystal Oscillator
(8.00MHz to 50.00MHz)

SCHEMATIC DIAGRAM

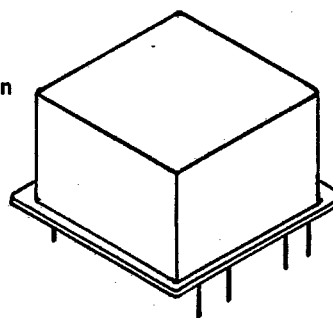


PIN	CONNECTIONS
1	Ground
2	RF Output
3	B+
7	Freq. Adjust
8	
9	
12	Modulation In.
14	Freq. Adjust.



FEATURES:

- Excellent frequency stability
- Low power consumption
- Compact size
- Available for wide temperature range



Hermetically sealed crystal & oscillator which allows standard MIL humidity performance which gives double aging protection.

MODEL NUMBER	52320-001	52340-001	52360-001	52380-001	52400-001
Frequency stability	8.00 MHz to 50.00 MHz				
vs. Temperature	±.5 ppm	±1 ppm	±2 ppm	±2.5 ppm	±5 ppm
vs. Supply Voltage	9.6 or 5V dc ± 5ppm over ±5% of supply voltage				
vs. Load	±.5ppm for 10% of load				

TEMPERATURE; Commercial : 0° to +50°C or -20° to +70°C
Military : -40° to +85°C or -55° to +105°C

CURRENT DRAIN: As low as 3 ma.

POWER OUTPUT: 1V into 50K ohms or +1dbm into 50 ohms in a sine or sq. wave

LOAD: 50 ohms nominal

SHOCK: less than 0.5 ppm for 5000 G's at .3us

AGING: 0.5ppm per year max. (Special Orders Upon Request)

VIBRATION: less than 0.5ppm for upto 30G's at 2000 Hz.

FREQUENCY ADJUST: Settable to 1×10^{-7}

MODULATION CAPABILITY: Optional

USES: Portable cellular marine and navigation applications

NOTE : All dimension are in inches.

Tolerance: ±.010