

INTRODUCTION

Fast, easy breadboarding of circuits using the PA75CX or PA35CX are possible with the EK33 PC board. Mounting holes are provided and the provision for standard banana jacks simplifies connection and testing. Components are labeled on both sides of the board for ease in probing. This kit is not suitable for PA75CC, PA75CD, PA35CC or PA35CD.

A multitude of circuit configurations are possible, so only several component locations have specific functions and will usually be necessary:

PARTS LIST

Part #	Description	Quantity
Eval33	Evaluation Board	1
Clamp04	Clamp for HS29	2
MS11	Pin Receptacle, 30 pin strip	1
TW14	Thermal Washer TO-220 10/Pack	1
HS29	Heat Sink, 2.7 DEG/W	1

TYPICAL COMPONENT FUNCTIONS

COMPONENT	FUNCTION
C1, C5, C7, C9 C2, C6	Power Supply bypasses MUST be used for each amplifier. Usually ceramic types of .01 μ F to 1.0 μ F and 10 μ F of capacitance per ampere of output current.
R11, R5	Feedback resistors

The following locations should be jumpered unless used otherwise (their most common function is listed).

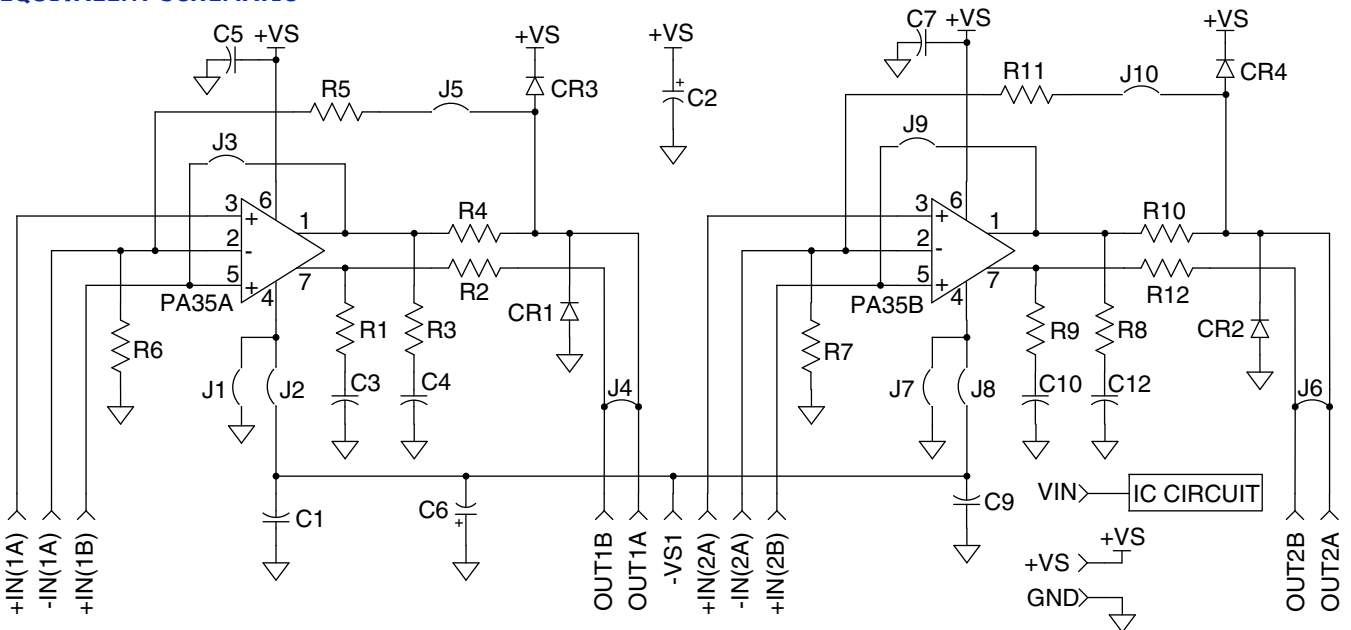
J3, J9	Output amp a to input amp b
J2, J8	-Vs
J4, J6	Connects paralleling output a to output b
J5, J10	Connects feedback for amp a

The following locations should be left open unless used otherwise (their most common anticipated function is listed).

J1, J7	Connects -Vs to ground reference
--------	----------------------------------

The function of all other components is up to the designer's circuit needs.

EQUIVALENT SCHEMATIC



EK33

EVALUATION KIT
FOR PA75CX OR PA35CX PIN-OUT

FIGURE 1.

