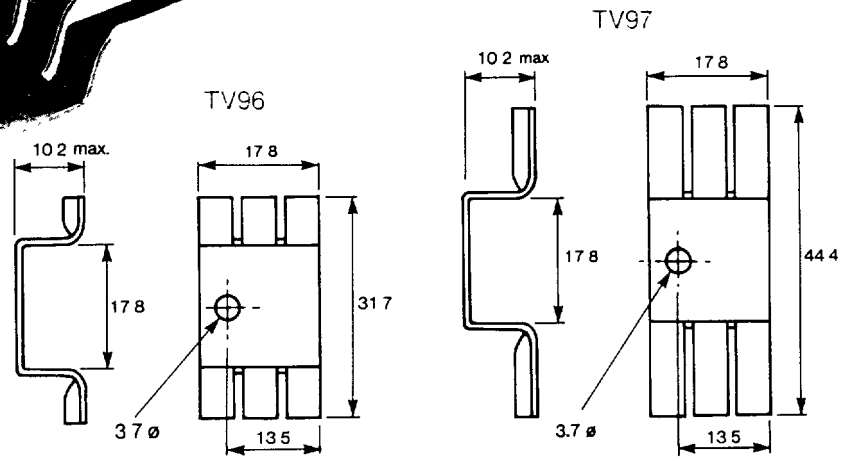
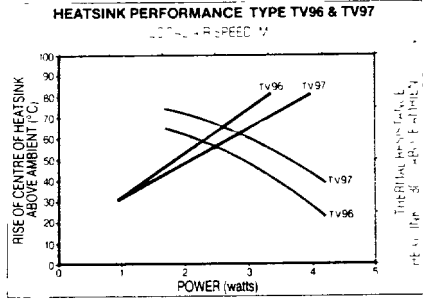
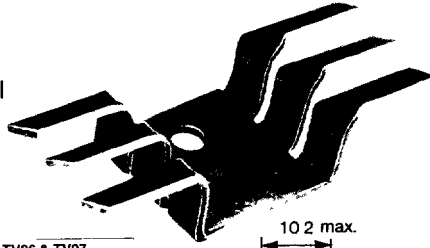


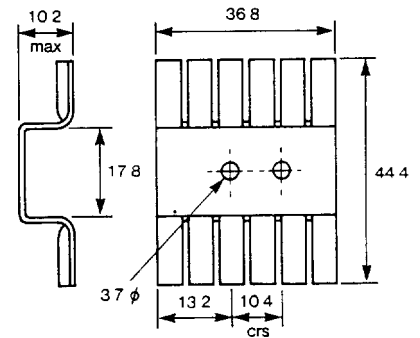
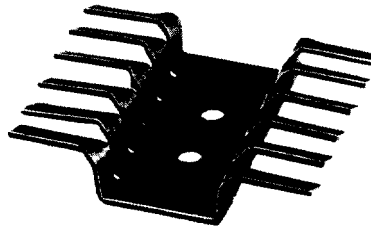
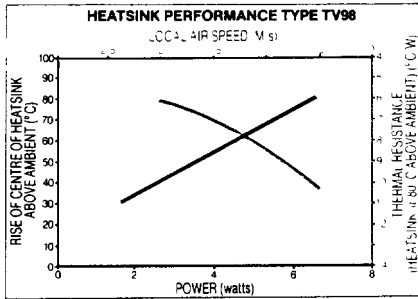
**TV96 TV97 Powerfins - TO220 etc.**

Twisted vane heatsinks combining good thermal rating with low height  
 Finish Black anodised  
 TV96  $\Theta = 24^\circ \text{C/W}$   
 TV97  $\Theta = 20^\circ \text{C/W}$



**TV98 Powerfin - TO220 etc.**

Low height heatsink with good thermal rating suitable for one or two devices.  
 Finish Black anodised  
 TV98  $\Theta = 12^\circ \text{C/W}$



**1.25GY-50 Heatsink - TO220 etc.**

May be mounted in vertical or horizontal mode.  
 Central groove prevents device rotation.  
 Finish: Black anodised  
 1.25 GY-50  $\Theta = 6.8^\circ \text{C/W}$  (Horizontal)  
 $\Theta = 8.6^\circ \text{C/W}$  (Vertical)

