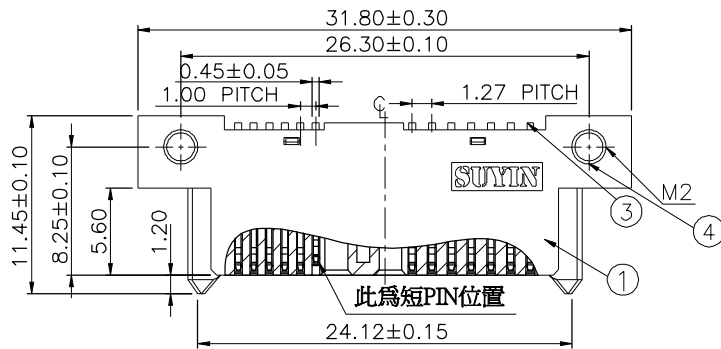


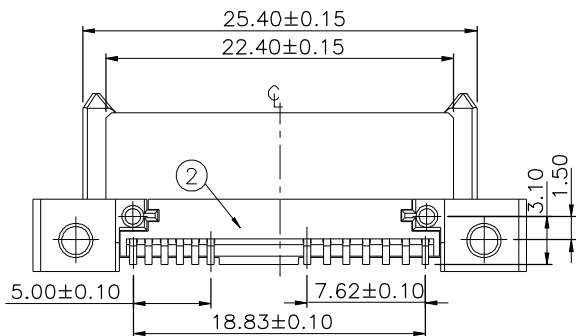
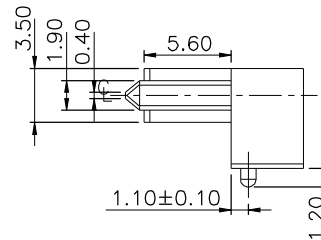
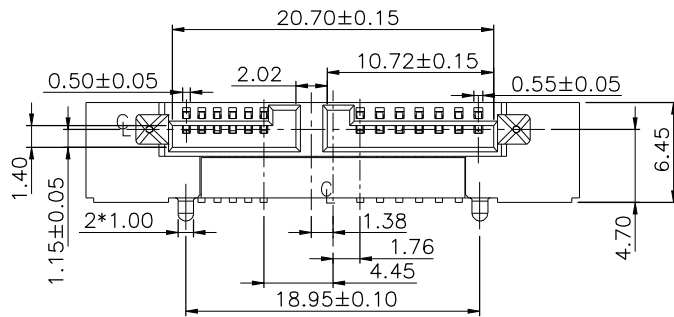
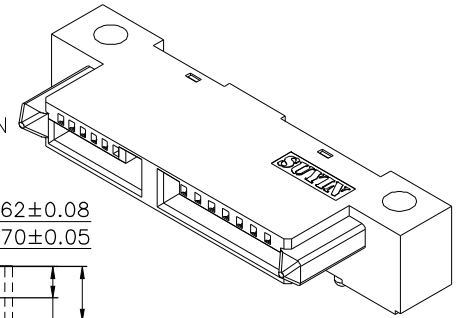
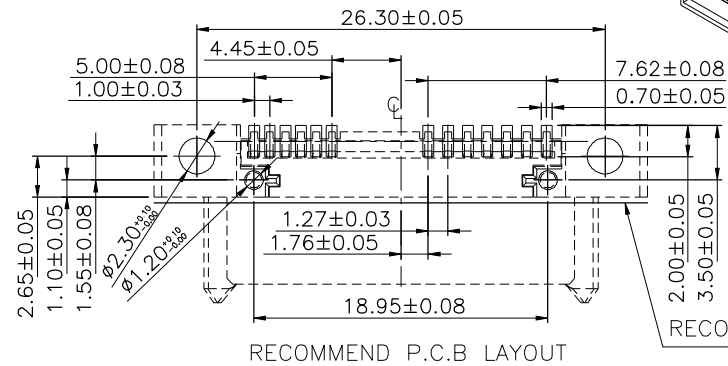


**RoHS Compliant**  
2002/95/EC  
**HSF**

Level-1 Controlled Substances are banned



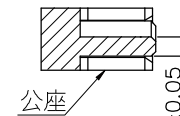
RECOMMENDED P.C.B LAYOUT (COMPONENT SIDE)  
P.C.B THICKNESS=1.20mm WITH LOCKING FUNCTION



NOTE :

127382FB013SX02R

- S1-05u" MIN.GOLD IN CONTACT AREA/  
100u" MIN.TIN IN SOLDER AREA
- S2-GOLD FLASH IN CONTACT AREA/  
100u" MIN.TIN IN SOLDER AREA
- S3-10u" MIN.GOLD IN CONTACT AREA/  
100u" MIN.TIN IN SOLDER AREA
- S4-15u" MIN.GOLD IN CONTACT AREA/  
100u" MIN.TIN IN SOLDER AREA
- S5-30u" MIN.GOLD IN CONTACT AREA/  
100u" MIN.TIN IN SOLDER AREA
- S6-50u" MIN.GOLD IN CONTACT AREA/  
100u" MIN.TIN IN SOLDER AREA



NO.	DESCRIPTION	MATERIAL	COLOR	REMARK
4	NUT	COPPER ALLOY	—	NLCKEL PLATED
3	TERMINAL	COPPER ALLOY	—	GOLD PLATED
2	HOUSING	HLGH TEMP	BLACK	UL 94V-0
1	HOUSING	HLGH TEMP	BLACK	UL 94V-0

**SUYIN**  
CONNECTOR

CUSTOMER COPY	TITLE: 1.27 mm PITCH SERIAL ATA			
PART NO.		127382FB013SX02ZR		
PRODUCT SPEC.		127382FB SERIES		
FILE NAME.	<u>D</u> ING	127382FB013SX02ZR-C		
SCALE	2:1	UNIT:mm	A4	SHEET: 1 of 2

ECN(DCN) NO.	REV	DATE	DESCRIPTION	CHANGE	APPRO.	GENERAL TOLERANCE UNLESS OTHERWISE NOTED
						Angle ±2° 30 ~ ±0.50 10 ~ 30 ±0.30 ~ 10 ±0.15
	0		NEW RELEAER	馬文杰	張裕奇	
	PO	07/09/07	NEW	阮冲	鄭家奇	

DRAW	馬文杰	08/07/27
DESIGN	馬文杰	08/07/27
CHECK	唐毅	08/07/27
APPRO.	張裕奇	08/07/27