



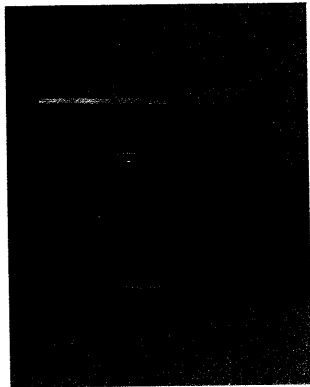
# Clifford & Snell



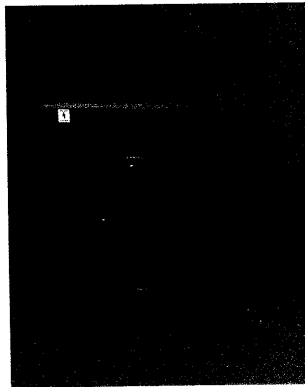
## Industrial Audible and Visual Alarm



### YO8/YL8 - YO8/YL8 Super Yodalarm and Yodalight Range



YO8 Super/YO8

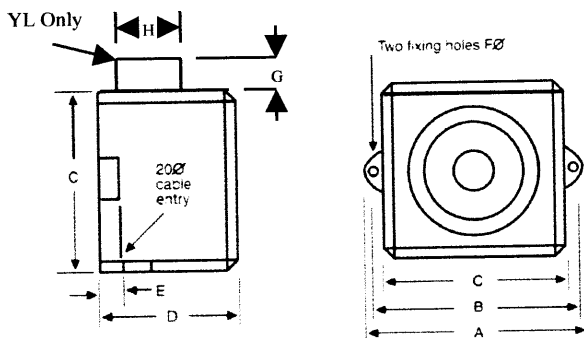


YL8/YL8 Super

#### Main Features

- 32 selectable tones meeting international regulations
- 2 stage alarm
- 3 wire polarised DC and AC, or 2 wire bi-polar for DC only
- Independently selectable second stage
- BS 5839 Pt1 1980 clause 9.5
- Choice of 6 lens colours
- Continuously rated
- Flame retardant ABS plastic enclosure
- Flame retardant polycarbonate lens
- Lens colour red, amber, green, blue, opal, clear
- Strobe - 2.5 and 5.0 joule See Ordering Instructions
- Stainless steel fixings
- Sound selection via DIL switch

#### Dimensions (mm)



Dim (mm)	YO8/YL8/Super	Dim E	11
Dim A	269	Dim F	10
Dim B	250	Dim G	57.5 - YL8
Dim C	216	Dim H	88 - YL8
Dim D	153		

**MOUNTING:** The YO8/YL8 series alarm units are mounted to a reasonably flat wall or bulkhead of suitable material using the lugs projecting from the side of the case. The lugs are bored 10 mm clearance on 250mm centres. The minimum recommended length of fixing screws is 30mm. To maintain the integrity of the weather seal, the cable entry must be via a suitable sealed gland.

#### Technical Specification

- Operating temperature - 25 deg C to + 55 deg C
- Storage temperature - 40 deg C to + 70 deg C
- Operating voltage 24Vdc (12 - 35Vdc)  
115Vac, 230Vac +/- 10%  
(12V versions will produce approx. 6dB less output)
- For DC second stage alarm signal is via polarised or 2 wire bi-polar connection
- IP 54 rated as std, IP 66 (WR) to order
- Separate input and output terminals on YO8, optional on YL8
- Max humidity (40deg C) 90% RH
- Sound output 116dB(A) @ 1mtr (Std)
- Sound output 120dB(A) @ 1mtr (Super)
- Minimum current consumption 300 mA

All dimensions quoted are approximate only and subject to change without notice as are technical features resulting from continual development and improvement



YO8/YL8

YO8 Super/  
YL8 Super

YO8+ Super DC  
Approx.

YL8+ Super AC  
Approx.



12Vdc

24Vdc

# Industrial Audible and Visual Alarm

## Y08/YL8 – YO8/YL8 Super

### Tone Table

Independent second stage sound is available by using SW2.

First Stage Signal	Freq.	Sound switches	Rep Rate (sec.)	Special application
		1 2 3 4 5		
1 Alternate two-tone	800-1000	1 1 1 1 1	0.5	Fire alarms
2 Alternate two-tone	2500-3100	0 1 1 1 1	0.5	Security alarms
3 Alternate fast two-tone	800-1000	1 0 1 1 1	0.25	Increased urgency
4 Alternate fast wo-tone	2500-3100	0 0 1 1 1	0.25	Security deterrent
5 Alternate two-tone	440-554	1 1 0 1 1	0.4/0.1	AFNOR, FRANCE
6 Alternate two-tone	430-470	0 1 0 1 1	1.0	
7 Alternate v.fast two-tone	800-1000	1 0 0 1 1	0.13	
8 Alternate v.fast two-tone	2500-3200	0 0 0 1 1	0.07	
9 Alternate two-tone	440-554	1 1 1 0 1	2.0	Turn-out, SWEDEN
10 Continuous note	700	0 1 1 0 1	-	All-clear, SWEDEN
11 Continuous note	1000	1 0 1 0 1	-	
12 Continuous note	1000	0 0 1 0 1	-	
13 Continuous note	2300	1 1 0 0 1	-	
14 Continuous note	440	0 1 0 0 1	-	
15 Interrupted tone	1000	1 0 0 0 1	2.0	
16 Interrupted tone	420	0 0 0 0 1	1.25	AS2220, AUSTRALIA
17 Interrupted tone	1000	1 1 1 1 0	0.5	
18 Interrupted tone	2500	0 1 1 1 0	0.25	
19 Interrupted tone	2500	1 0 1 1 0	0.5	
20 Interrupted tone	700	0 0 1 1 0	6/12	Pre-vitalmessage SWEDEN
21 Interrupted tone	1000	1 1 0 1 0	1.0	
22 Interrupted tone	700	0 1 0 1 0	4.0	Air-raid alarm, SWEDEN
23 Interrupted tone	700	1 0 0 1 0	0.25	Local warning, SWEDEN
24 Interrupted tone	720	0 0 0 1 0	0.7/0.3	Industrial alarm, GERMANY
25 Int,fast, rising volume	1400	1 1 1 0 0	0.25	
26 Fast siren	250-1200	0 1 1 0 0	0.085	
27 Rising constant, fall	1000	1 0 1 0 0	10/40/10	Industrial alarm, GERMANY
28 ISO 8201 Evacuation	800-1000	0 0 1 0 0	As std	Int'l evacuation alarm
29 Fast whoop	500-1000	1 1 0 0 0	0.15	
30 Slow whoop	500- 1200	0 1 0 0 0	4.5	Evacuation, The Netherlands
31 Reverse sweep	1200-500	1 0 0 0 0	1.0	Evacuation, GERMANY
32 Siren	500-1200	0 0 0 0 0	3.0	

Switch Settings: ON=1 and OFF=0

The PFEER sound signals recommended by UKOOA are:-

General Alarm	Sound Signal 15	Interrupted tone 1000 Hz
PAPA	Sound Signal 31	Reverse Sweep 1200-500 Hz
Toxic Gas	Sound Signal 11	Continuous Tone 1000 Hz.

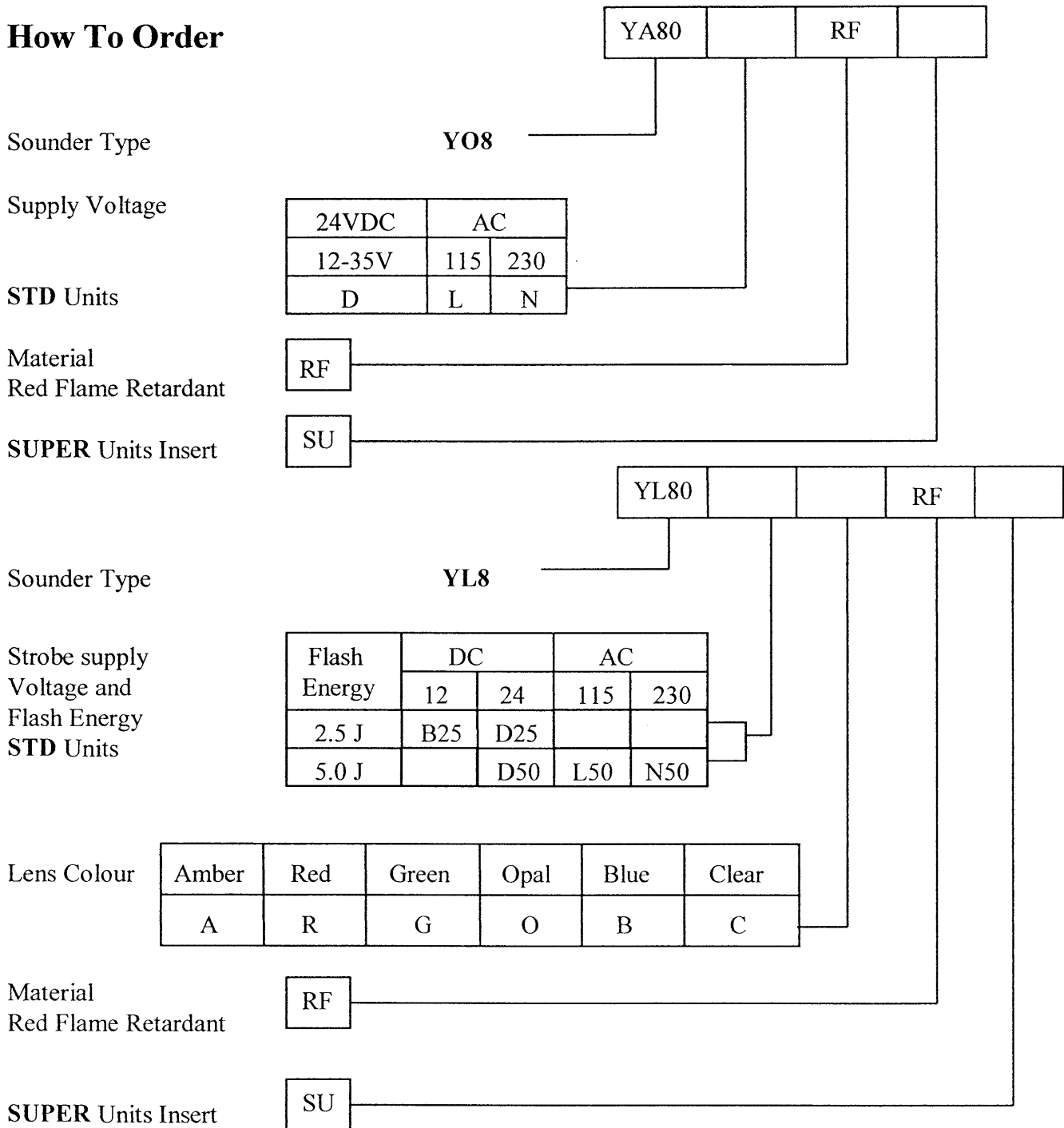
#### Line Monitoring - (DC Only)

- 3 Wire 2 stage or 2 wire single stage, monitor via reverse polarity
  - 2 Wire 2 stage i.e. bi-polar inputs, monitor via threshold (applied voltage <1V)
- End of line resistor. Minimum 3K3 ohm 0.5 watts, wire-wound or metal film type.

# Industrial Audible and Visual Alarm

## Y08/YL8 – Y08/YL8 Super

### How To Order



## Clifford & Snell



A Division of Signature Industries

Tom Cribb Road, Thamesmead,  
London SE28 0BH

Tele: 44 (0) 208 3171717

Fax: 44 (0) 208 3172400

Web Site: [www.signatureindustries.com](http://www.signatureindustries.com)

Email: [cliffordandsnell@aol.com](mailto:cliffordandsnell@aol.com)