

PLEASE CHECK WWW.MOLEX.COM FOR LATEST PART INFORMATION

Part Number: **0191310006**
Status: **Active**
Description: InsulKrimp™ Block Spade Tongue Terminal for 10 to 12 AWG Wire, Stud Size 6, Length 27.31mm (.1.075")

Documents:

[Drawing \(PDF\)](#) [RoHS Certificate of Compliance \(PDF\)](#)
[Product Specification PS-19902-009 \(PDF\)](#)

Agency Certification

CSA LR18689
 UL E32244

General

Product Family Ring and Spade Terminals
 Series [19131](#)
 Crimp Quality Equipment Yes
 Mil-Spec N/A
 Product Name InsulKrimp™
 Type Spade Block

Physical

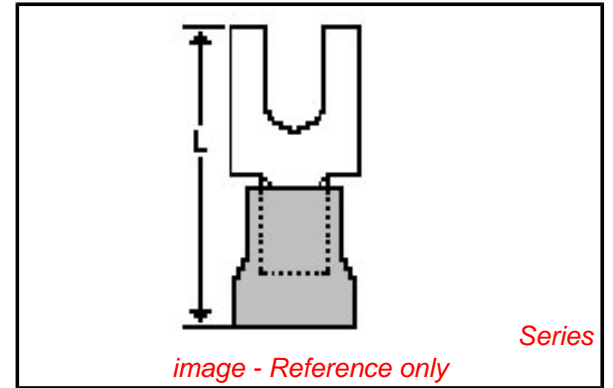
Barrel Type Closed
 Color - Resin Natural
 Flammability 94V-2
 Insulation PVC
 Material - Plating Mating Tin
 Packaging Type Bag
 Plating min: Mating (µin) 12
 Plating min: Mating (µm) 0.3
 Plating min: Termination (µin) 12
 Plating min: Termination (µm) 0.3
 Stud Size 5-6 (M3-3.5)
 Termination Interface: Style Crimp or Compression
 Wire Insulation Diameter 6.40mm (.250") max.
 Wire Size AWG 10, 12
 Wire Size mm² 3.30 - 5.00

Material Info

Old Part Number C-2105-06X

Reference - Drawing Numbers

Product Specification PS-19902-009
 Sales Drawing CCD20301



EU RoHS

ELV and RoHS Compliant
REACH SVHC
 Not Reviewed
Halogen-Free Status
Not Reviewed

China RoHS



Need more information on product environmental compliance?

Email productcompliance@molex.com
 For a multiple part number RoHS Certificate of Compliance, [click here](#)

Please visit the [Contact Us](#) section for any non-product compliance questions.

Search Parts in this Series

[19131Series](#)

Application Tooling | [FAQ](#)

Tooling specifications and manuals are found by selecting the products below. Crimp Height Specifications are then contained in the Application Tooling Specification document.

Global

Description	Product #
Hand Crimp Tool	0640010100
Hand Crimp Tool	0640010300
Crimp Head for the AT-200™ Pneumatic Hand Tool	0640050100
Crimp Head for the AT-200™ Pneumatic Hand Tool	0640050300

FILE NO.

C - CD - 203 - 01

REV A ADDED 8X, 10X TO CHART UNDER PART# C-2105 1/31/88

NOTES:

① MAT'L: COPPER (STOCK THK. 040)

PLATING: ELECTRO-TIN (.0003 MIN.)

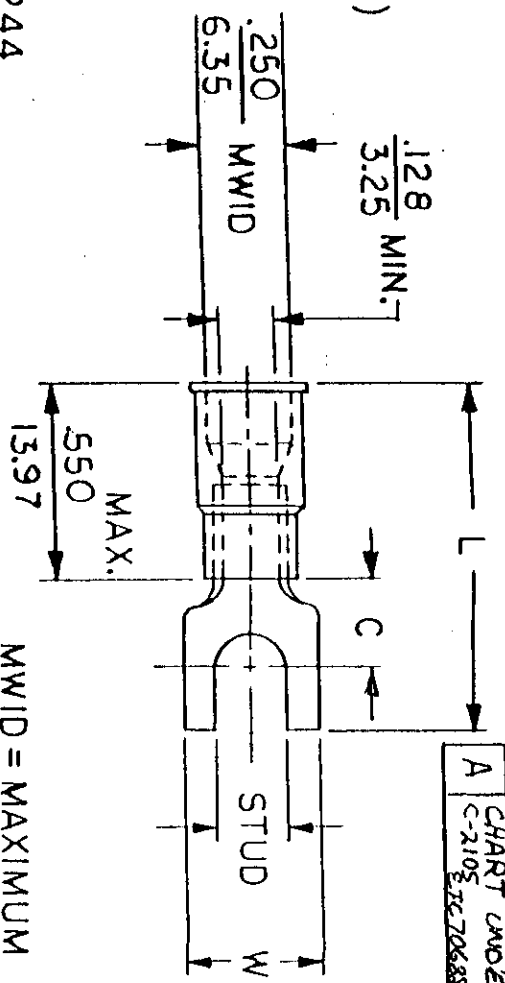
② INSULATION: MOLDED PVC (YELLOW)

STUD SIZES: ($\pm .005$)

- 02 = .094
- 04 = .119
- 06 = .146
- 08 = .173
- 10 = .198
- 14 = .265
- 56 = .328
- 38 = .390

"UL" LISTING #E32244
 "CSA" LISTING #18689

ALL DIMENSIONS = INCHES
 M M



MWID = MAXIMUM WIRE INSULATION DIAMETER
 WIRE SIZE: 12 - 10AWG
 40 - 60MM²

PART NUMBER	"W" ±.010	"C" MIN.	"L" MAX.	AVAILABLE STUD SIZES
C-2102-	$\frac{415}{10.54}$	$\frac{305}{7.75}$	$\frac{1.075}{27.31}$	08X
C-2105-	$\frac{320}{8.13}$	$\frac{305}{7.75}$	$\frac{1.075}{27.31}$	06X, 08X, 10X

DIMENSIONAL TOLERANCES UNLESS OTHERWISE SPECIFIED		REFERENCE	SCALE:	NTS	DATE:	TITLE:
FRAC.	DEC.	ANG.	DRWN. BY:	JJ	10-31-84	SPADE TONGUE TERMINAL
=	=	=	CHKD. BY:	GA	11-25-84	INSULKRIMP 200-SERIES
			APPRD. BY:			



DWG. NO. A CUSTOMER DWG.