

PLEASE CHECK WWW.MOLEX.COM FOR LATEST PART INFORMATION

Part Number: [0528082370](#)
Status: **Active**
Overview:
Description: 1.00mm (.039") Pitch FFC/FPC Connector, SMT, Vertical, Non-ZIF Receptacle, 23 Circuits, Lead-free

General

Product Family FFC/FPC Connectors
 Series [52808](#)
 Overview [ffc_fpc_smt](#)
 Product Name N/A

Physical

Circuits (Loaded) 23
 Circuits (maximum) 23
 Color - Resin Natural
 Contact Position N/A
 Durability (mating cycles max) 10
 Entry Angle N/A
 Mated Height (in) 0.199 In
 Mated Height (mm) 5.05 mm
 Material - Metal Phosphor Bronze
 Material - Plating Mating Tin-Bismuth
 Material - Plating Termination Tin-Bismuth
 Material - Resin High Temperature Thermoplastic
 Number of Rows 1
 Orientation Vertical
 PCB Locator No
 PCB Retention None
 Packaging Type Embossed Tape on Reel
 Pitch - Mating Interface (in) 0.039 In
 Pitch - Mating Interface (mm) 1.00 mm
 Pitch - Term. Interface (in) 0.039 In
 Pitch - Term. Interface (mm) 1.00 mm
 Plating min: Mating (µin) 40
 Plating min: Mating (µm) 1
 Plating min: Termination (µin) 40
 Plating min: Termination (µm) 1
 Polarized to PCB No
 Stackable No
 Surface Mount Compatible (SMC) Yes
 Temperature Range - Operating -20°C to +80°C
 Termination Interface: Style Surface Mount
 Wire/Cable Type FFC/FPC

Electrical

Current - Maximum per Contact 0.5A
 Voltage - Maximum 125V AC (RMS)/DC

Material Info

Reference - Drawing Numbers

Packaging Specification SPK-52808-001
 Product Specification PS-52808-004, RPS-52808-039, RPS-52808-044, RPS-52808-045, RPS-52808-047, RPS-52808-048, RPS-52808-049
 Sales Drawing SD-52808-027, SD-52808-028

EU RoHS

ELV and RoHS Compliant
REACH SVHC Contains SVHC: No
Halogen-Free Status

China RoHS



Not Halogen-Free

Need more information on product environmental compliance?

Email productcompliance@molex.com
 For a multiple part number RoHS Certificate of Compliance, [click here](#)

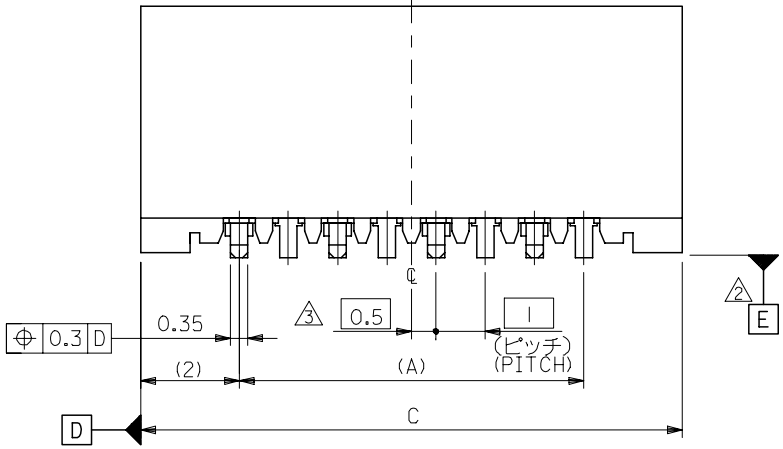
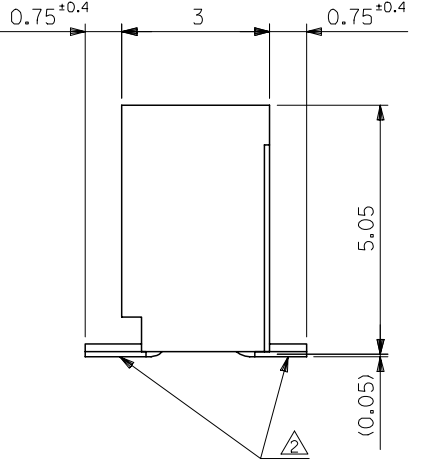
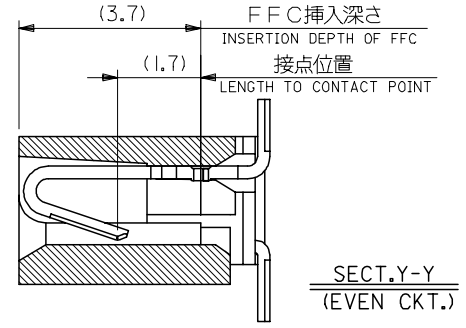
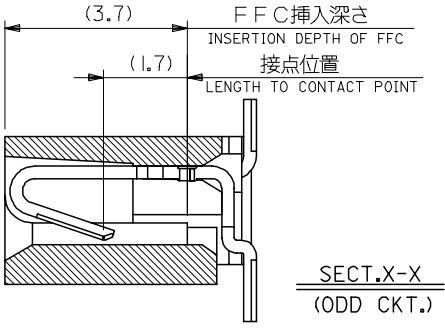
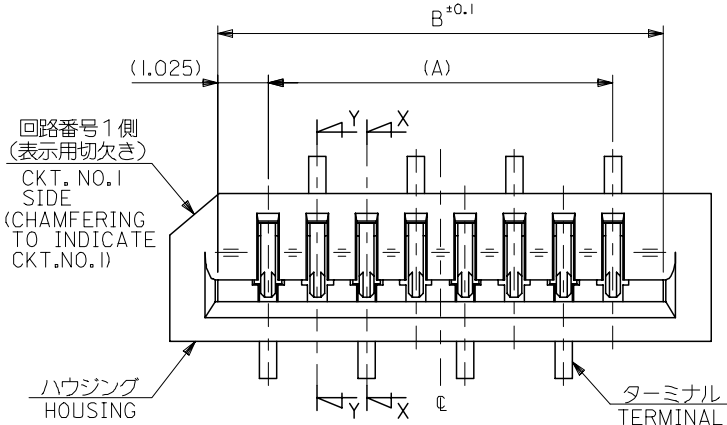
Please visit the [Contact Us](#) section for any non-product compliance questions.

Search Parts in this Series
[52808Series](#)

This document was generated on 06/05/2010

PLEASE CHECK WWW.MOLEX.COM FOR LATEST PART INFORMATION

10 9 8 7 6 5 4 3 2 1



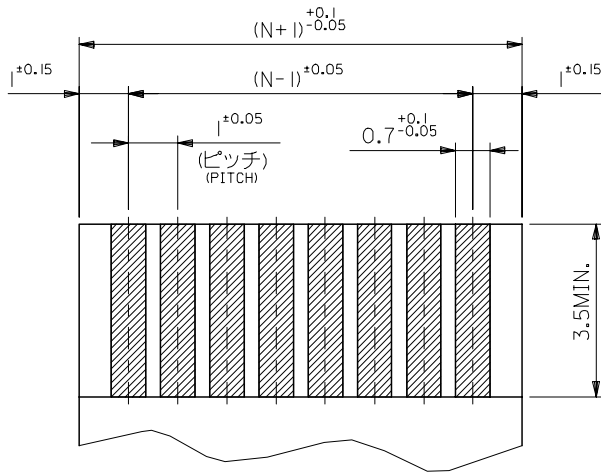
33	31.05	29	52808-3019	30
32	30.05	28	-2919	29
31	29.05	27	-2819	28
30	28.05	26	-2719	27
29	27.05	25	-2619	26
28	26.05	24	-2519	25
27	25.05	23	-2419	24
26	24.05	22	-2319	23
25	23.05	21	-2219	22
24	22.05	20	-2119	21
23	21.05	19	-2019	20
22	20.05	18	-1919	19
21	19.05	17	-1819	18
20	18.05	16	-1719	17
19	17.05	15	-1619	16
18	16.05	14	-1519	15
17	15.05	13	-1419	14
16	14.05	12	-1319	13
15	13.05	11	-1219	12
14	12.05	10	-1119	11
13	11.05	9	-1019	10
12	10.05	8	-0919	9
11	9.05	7	-0819	8
10	8.05	6	-0719	7
9	7.05	5	-0619	6
8	6.05	4	-0519	5
7	5.05	3	52808-0419	4

注記 NOTES:

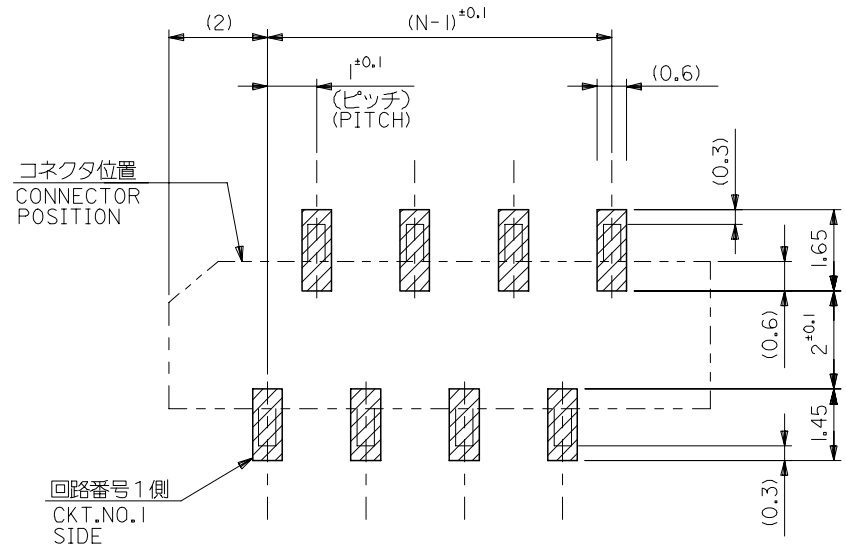
- 使用材料 MATERIAL
 ハウジング: PPS, UL94V-0 HOUSING : PPS, UL94V-0
 ターミナル: リン青銅 ($\epsilon=0.25$) TERMINAL : PHOSPHOR BRONZE
 メッキ: ニッケル下地鍍ビスマスメッキ PLATING : TIN-BISMUTH OVER NICKEL
- 基準面 [E] からのソルダーテールの半田付け面のズレ量は、
 上方向に0.1 MAX. 下方向0.15 MAX. とする。
 MISALIGNMENT OF SOLDER TAIL FROM [E]
 : UPPER DIRECTION 0.1 MAX. , LOWER DIRECTION 0.15 MAX.
- 偶数極に適用。
 APPLY FOR EVEN CKT.
- 本製品は52808-**-10の鉛フリー品である。
 THIS PRODUCT IS LEAD FREE OF 52808-**-10

REVISED EC NO: J2006-1497 DRW: NABE1 2005/11/04 CHK: KYOYODA 2005/11/07 APP: NUKITA 2005/11/11	GENERAL TOLERANCES (UNLESS SPECIFIED)		DIMENSION STYLE MM ONLY		SCALE ---	DESIGN UNITS METRIC	THIRD ANGLE PROJECTION
	10 UNDER	± 0.2	DRAWN BY M. NABE1	DATE '04/02/19	TITLE 1.0 FFC CONN. NON ZIF SMT. ST. -LEAD FREE-		
	10 OVER 30 UNDER	± 0.25	CHECKED BY M. SASAO	DATE '04/02/19	MATERIAL NO. 52808-**-19		
	30 OVER	± 0.3	APPROVED BY M. SASAO	DATE '04/02/19	DOCUMENT NO. SD-52808-027		
ANGULAR $\pm 3^\circ$		DRAFT WHERE APPLICABLE MUST REMAIN WITHIN DIMENSIONS		SIZE A3		SHEET NO. 1 OF 1	

THIS DRAWING CONTAINS INFORMATION THAT IS PROPRIETARY TO MOLEX INCORPORATED AND SHOULD NOT BE USED WITHOUT WRITTEN PERMISSION



(仕上がり厚さ) 0.3 ± 0.03
THICKNESS
適合FPC推奨寸法
APPLICABLE FPC
RECOMMENDED DIMENSION.



参考基板レイアウト (マウント面)
RECOMMENDED P.C. BOARD
PATTERN DIMENSION. (REF.)
(MOUNTING AREA)

FPCについて:

- 打抜き方向は、導体側から補強板側を推奨いたします。
- 補強フィルム材質は、ポリイミドを推奨いたします。
- 接着剤は、熱硬化接着剤を推奨いたします。

ABOUT FPC:

RECOMMENDED PUNCHER DIRECTION: FROM CONDUCTOR SIDE TO STIFFENER BOARD SIDE.

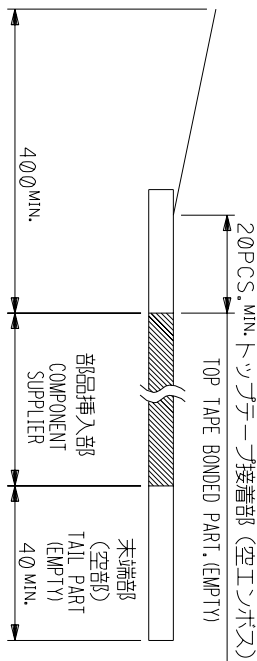
RECOMMENDED MATERIAL:
STIFFENER FILM: POLYIMIDE
BONDING AGENT: THERMOSETTING BONDING AGENT

REVISED EC NO: J2006-1497 DRW: NABEI 2005/11/04 CHK: KATOYODA 2005/11/07 APPR: NUKITA 2005/11/11 A	GENERAL TOLERANCES (UNLESS SPECIFIED)		DIMENSION STYLE MM ONLY		SCALE ---	DESIGN UNITS METRIC	THIRD ANGLE PROJECTION	
	10 UNDER	±0.2	DRAWN BY M. NABEI	DATE '04/02/19	TITLE 1.0 FFC CONN. NON ZIF SMT. ST. -LEAD FREE-			
	10 ⁰ OVER 30 UNDER	±0.25	CHECKED BY M. SASAO	DATE '04/02/19	APPROVED BY M. SASAO			
	30 OVER	±0.3	APPROVED BY M. SASAO		DATE '04/02/19	MOLEX INCORPORATED		
	ANGULAR	±3 °	MATERIAL NO. SEE CHART		DOCUMENT NO. SD-52808-027		SHEET NO. 2 OF 2	
DRAFT WHERE APPLICABLE MUST REMAIN WITHIN DIMENSIONS		SIZE A3		THIS DRAWING CONTAINS INFORMATION THAT IS PROPRIETARY TO MOLEX INCORPORATED AND SHOULD NOT BE USED WITHOUT WRITTEN PERMISSION				

引き出し方向
PULL OUT

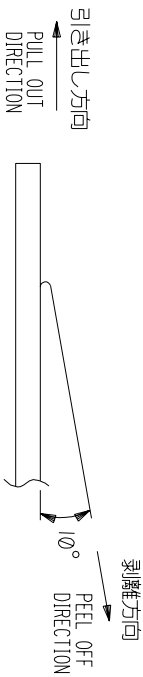


引き出し方向
PULL OUT DIRECTION

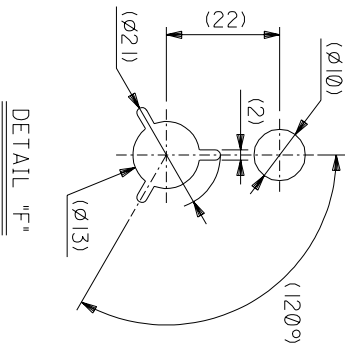


4. トッパテープの剥離強度: 0.1 ~ 1.3N (10 ~ 130gf) (剥離方向は下図参照)

尚、本規格値は出荷時に適用。(但し、輸送時に剥離が発生しないこと。)
PEELING OFF FORCE OF TOP TAPE: 0.1 ~ 1.3N (10 ~ 130gf)
(PEELING DIRECTION AS SHOWN IN FOLLOWING FIG.)
THIS REQUIREMENT SHOULD BE APPLIED AT SHIPMENT.
PEEL OFF SHOULD NOT BE ALLOWED, DURING TRANSPORTATION.



- 5. 材料 (MATERIAL)
キャリアテープ (CARRIER TAPE): ポリプロピレン (POLYPROPYLENE)
トッパテープ (TOP TAPE): PET, PE, PEF
リール (REEL): ポリスチレン (PS) <リサイクル材を含む>
POLYSTYRENE (PS) RECYCLE MATERIAL CONTAINED>
- 6. 本製品は52808-**-90の鉛フリー品である。
THIS PRODUCT IS LEAD FREE OF 52808-**-90



DETAIL "F"

角度 ANGLE	±3°
30以上 10以下	±0.3
30未満 10以上	±0.25
10未満	±0.2

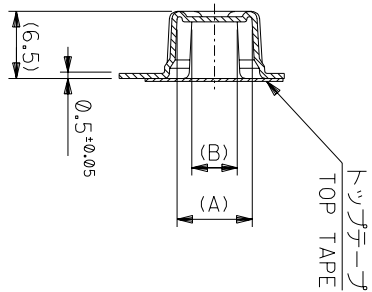
記号 LTR	0	0	0	0	0	0	0	0	0	0		
変更内容 REVISION RECORD	新規作成 RELEASED	変更内容 REVISION RECORD	DR-CHK.	日付 DATE	MAN M.S	MAN M.S	CHK'D BY M.SASAO	尺度 SCALE	尺度 SCALE	尺度 SCALE		
材料 MATERIAL	注記参照 SEE NOTES	仕上げ FINISH	通用電線範囲 WIRE RANGE	検査外径 INS. RANGE	DRAWN BY M.NABEI	CHK'D BY M.SASAO	DWG. NO. SD-52808-028	REV 0	MATERIAL			
REVISION ONLY ON CAD SYSTEM				TITLE 名称				MOLEX-JAPAN CO., LTD. 日本モリス株式会社				
REVISE ONLY ON CAD SYSTEM				I.O FFC Conn NON ZIF SMT ST Embstd PKG -LEAD FREE-				SHEET 1 OF 6 REV 0				

52808-**-70
MODEL NO.

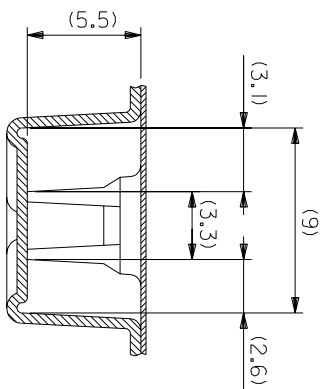
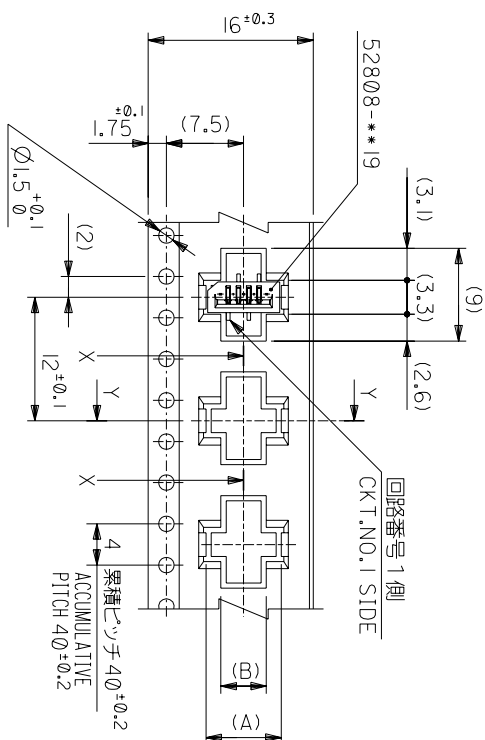
NOTES

- 製品詳細寸法については図面 SD-52808-027 を参照下さい。
RE DETAILED DIMENSION, SEE SD-52808-027
- 梱包数量: 1000個/リール
NUMBER OF CONNECTORS: 1000PCS/REEL
- リールテープ長さ LEAD TAPE LENGTH
20PCS. MIN. トッパテープ接着部 (空エンプティ)

THIS DRAWING CONTAINS INFORMATION THAT IS PROPRIETARY TO MOLEX/JAPAN AND SHOULD NOT BE USED WITHOUT WRITTEN PERMISSION
本図面は日本モリス (株) の所有する権利を有するため 当社の許可なく複製を禁止する。



SECT:Y-Y



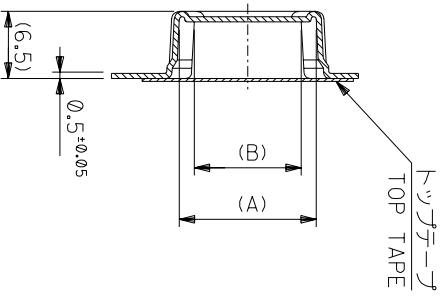
16mm幅キャリアテープ
16mm WIDTH CARRIER TAPE

角度 ANGLE	±3°
30以上	±0.2
10以下	±0.25
10 UNDER	±0.2
30 UNDER	±0.2

記号 LTR	0	新規作成 (2004-2528)
REVISION RECORD		
DR-CHK.	MAN/M.S	DATE

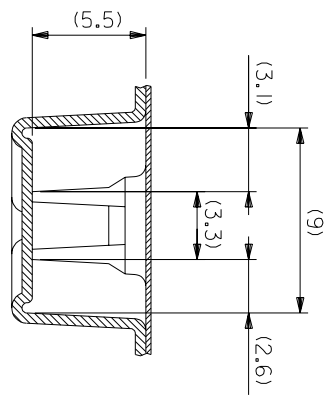
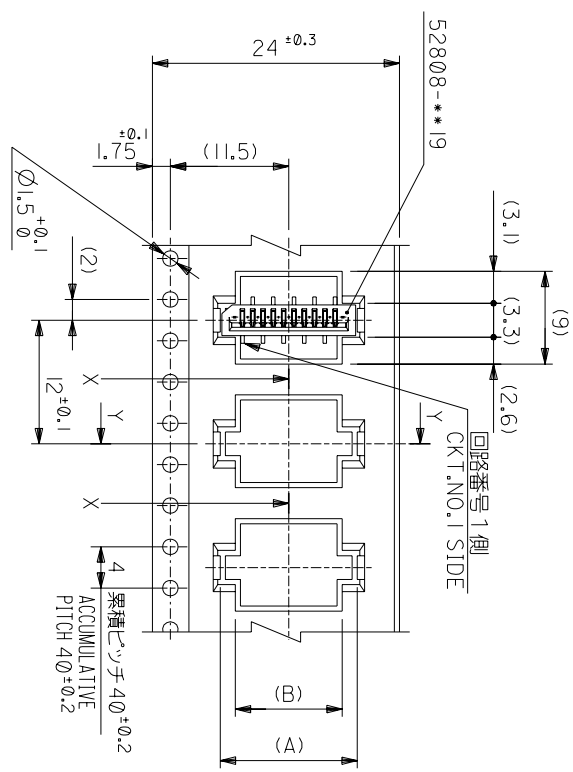
MODEL NO.	52808-**-70	キャリアテープ幅 CARRIER TAPE WIDTH	16	17.5	5.4	8.3	52808-0570	5
MATERIAL	参照 SHEET 1 OF 6	参照 SHEET 1 OF 6						
仕上げ FINISH	—#—							
適用電線範囲 WIRE RANGE	—#—							
積層外径 INS. RANGE	—#—							
DRAWN BY	M/NABEI	CHK'D BY	M.SASAO	尺 SCALE	—#—			
APP'D BY	M.SASAO							
TITLE 名称	REVISE ONLY ON CAD SYSTEM							
1.0 FFC CONN NON ZIF SMT ST EMBSTD PKG -LEAD FREE-								
DWG. NO.	SD-52808-028	(SHEET 2 OF 6)	REV	0				

THIS DRAWING CONTAINS INFORMATION THAT IS PROPRIETARY TO MOLEX(JAPAN) AND SHOULD NOT BE USED WITHOUT WRITTEN PERMISSION
本図面は日本モリス(株)の所有する情報を含むもので 当社の許可なく複製を禁止する。



SECT:Y-Y

24mm幅キャリアテープ
24mm WIDTH CARRIER TAPE



SECT:X-X
(SCALE:4-1)

MODEL NO.	52808-**70	キャリアテープ幅 CARRIER TAPE WIDTH	C	(B)	(A)	種数 CKT.
	24	25.5	10.4	13.3	52808-1070	10
			9.4	12.3	52808-0970	9
			8.4	11.3	52808-0870	8
			7.4	10.3	52808-0770	7
			6.4	9.3	52808-0670	6

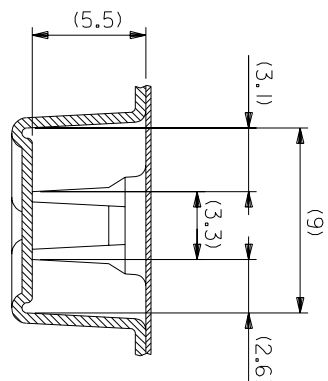
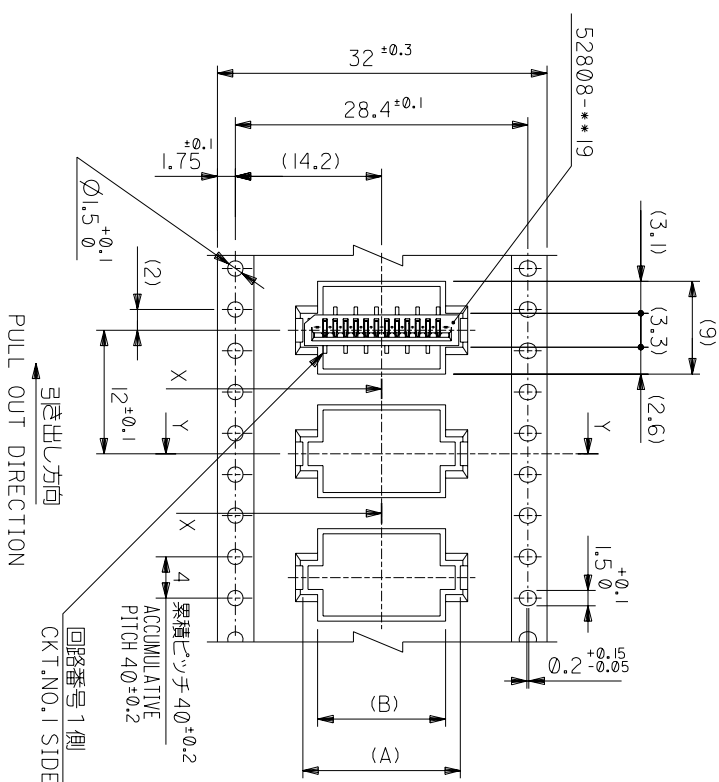
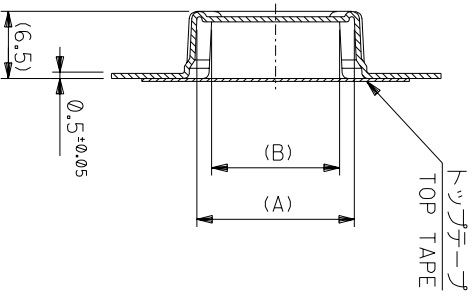
材料 MATERIAL SHEET 10F 6 参照 REFER TO SHEET 10F 6
仕上げ FINISH #
適用電線範囲 WIRE RANGE #
検査外径 INS. RANGE #
DRAWN BY 04/02/19 CHK'D BY 04/02/19
M.NABEY M.SASAO
APP'D BY 04/02/19 M.SASAO
SCALE #

角度 ANGLE	±3°
30 以上	±0.2
10 以上	±0.25
10 未満	±0.2

一般公差 GENERAL TOLERANCES	記号 LTR	変更内容 REVISION	DR-CHK.	DATE
0	新規作成 (12004-2528)			

THIS DRAWING CONTAINS INFORMATION THAT IS PROPRIETARY TO MOLEX(JAPAN) AND SHOULD NOT BE USED WITHOUT WRITTEN PERMISSION
本図面は日本モリス(株)の所有する権利を有するもので 当社の許可なく複製を禁止する。

REVISE ONLY ON CAD SYSTEM
TITLE 名称
1.0 FCC Conn NON ZIF
SMT ST Embs+D PKG
-LEAD FREE-
DWG. NO. SD-52808-028 (SHEET 3 OF 6)
REV 0



32mm幅キヤリタテープ
32mm WIDTH CARRIER TAPE

MODEL NO.	52808-**-70	キヤリタテープ幅 CARRIER TAPE WIDTH	C	(B)	(A)	種数 CKT.
		材料 MATERIAL	SHEET 1 OF 6 参照 REFER TO SHEET 1 OF 6			
		仕上げ FINISH	#			
		適用電線範囲 WIRE RANGE	#			
		被覆外径 INS. RANGE	#			
		DRAWN BY	M.SASAO	CHK'D BY	M.SASAO	
		APP'D BY	M.SASAO	SCALE	#	

角度 ANGLE	3°
30°以上 INCH	1.5
10°以下 30° UNDER	1.25
10° UNDER	0.2

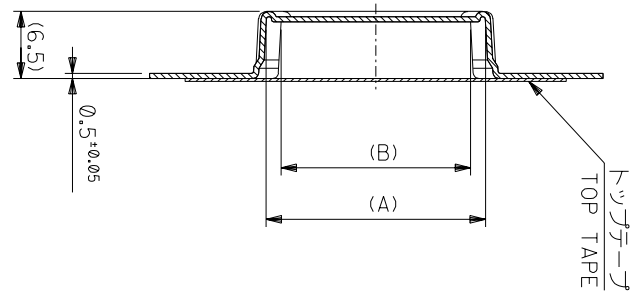
記号 LTR	0	新規作成 REVISION	(2004-2528)	DR-CHK.	日付 DATE
一般公差 GENERAL TOLERANCES					

MOLEX-JAPAN CO.,LTD.
日本モリス株式会社
REVISE ONLY ON CAD SYSTEM

TITLE 名称
1.0 FFC Conn NON ZIF
SMT ST Embstp Pkg
-LEAD FREE-

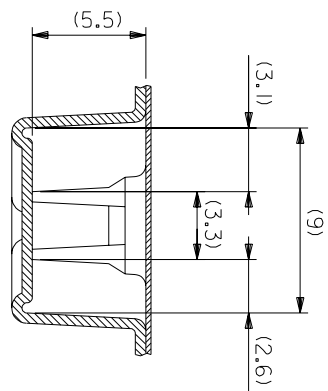
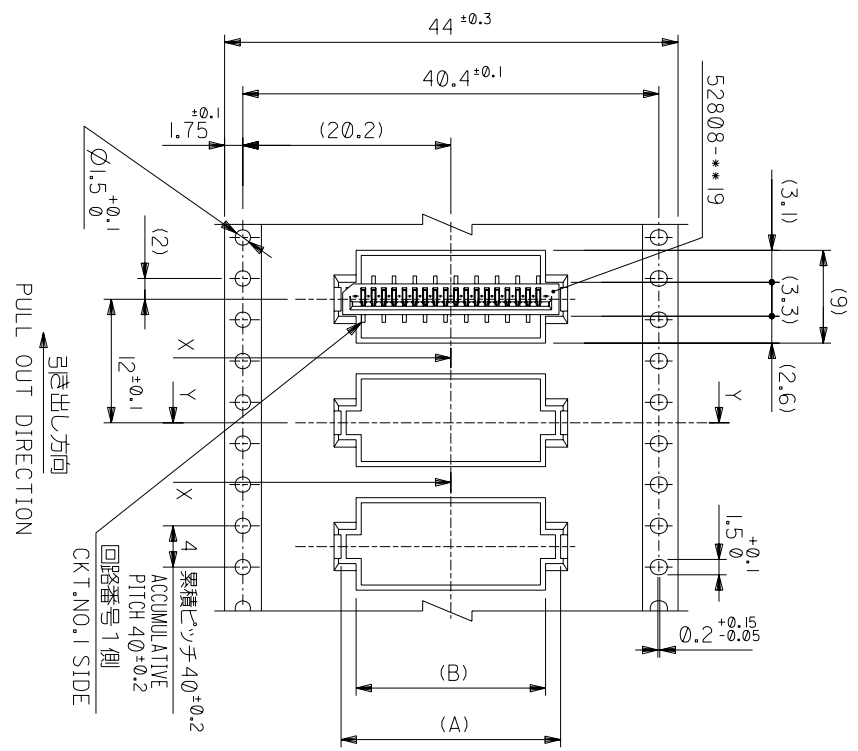
DWG. NO. SD-52808-028
(SHEET 4 OF 6) REV 0

THIS DRAWING CONTAINS INFORMATION THAT IS PROPRIETARY TO MOLEX(JAPAN) AND SHOULD NOT BE USED WITHOUT WRITTEN PERMISSION
本図面は日本モリス(株)の所有する情報を含むもので 当社の許可なく複製を禁止する。



SECTION-Y-Y

44mm幅キリリテープ
44mm WIDTH CARRIER TAPE



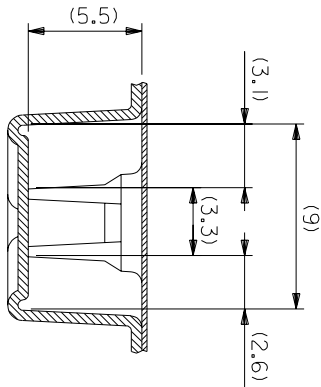
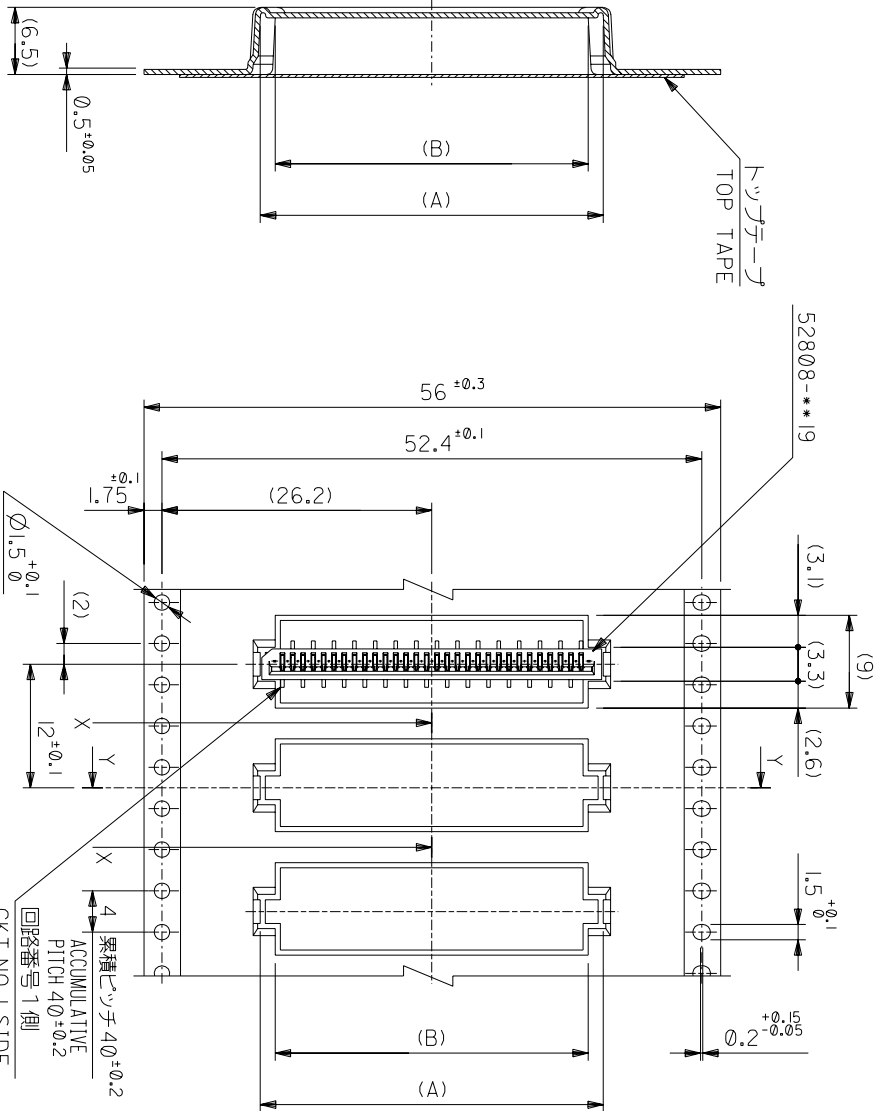
SECTION-X-X
(SCALE:4-1)

MODEL NO.	52808-***70	キャリアテープ幅 CARRIER TAPE WIDTH	44	45.5	C	(B)	(A)	MATERIAL NO.	種数 CKT.																																										
28.4	31.3	52808-2870	28	27.4	30.3	52808-2770	27	26.4	29.3	52808-2670	26	25.4	28.3	52808-2570	25	24.4	27.3	52808-2470	24	23.4	26.3	52808-2370	23	22.4	25.3	52808-2270	22	21.4	24.3	52808-2170	21	20.4	23.3	52808-2070	20	19.4	22.3	52808-1970	19	18.4	21.3	52808-1870	18	17.4	20.3	52808-1770	17	16.4	19.3	52808-1670	16

材料 MATERIAL	参照 REFER TO SHEET 1 OF 6	MOLEX-JAPAN CO.,LTD. 日本モリスツクス株式会社
仕上げ FINISH	—#—	REVISE ONLY ON CAD SYSTEM
適用電線範囲 WIRE RANGE	—#—	TITLE 名称
標準外径 INS. RANGE	—#—	I.0 FFC Conn NON ZIF SMT ST Embstd Pkg -LEAD FREE-
記号 LTR	0	DWG. NO. SD-52808-028
変更内容 REVISION RECORD	0 (2004-2528)	(SHEET 5 OF 6) REV 0
DR. / M.N. / M.S. / DATE	DR. / M.N. / M.S. / DATE	
DR. / CHK. / DATE	DR. / M.N. / M.S. / DATE	

角度 ANGLE	±3°
30以上 INCH	±0.2
10以下 30 UNDER	±0.25
10 UNDER	±0.2

THIS DRAWING CONTAINS INFORMATION THAT IS PROPRIETARY TO MOLEX(JAPAN) AND SHOULD NOT BE USED WITHOUT WRITTEN PERMISSION
 本図面は日本モリスツクス(株)の所有する情報を含むもので 当社の許可なく複製を禁止する。



SECT:Y-Y

56mm幅キヤリヤテープ
56mm WIDTH CARRIER TAPE

PULL OUT DIRECTION
引抜き方向

累積ピッチ $4\phi \pm 0.2$
ACUMULATIVE PITCH $4\phi \pm 0.2$
回路番号 1側
CKT.NO.1 SIDE

52808-**-70	MODEL NO.	56	57.5	30.4	29.4	33.3	32.3	52808-3070	52808-2970	30	29
56	CARRIER TAPE WIDTH	C	(B)	(A)	MATERIAL NO.	種数	種数	種数	種数	種数	種数

材料 MATERIAL SHEET 1 OF 6 参照 REFER TO SHEET 1 OF 6
仕上げ FINISH #
適用電線範囲 適用電線範囲 #
標準外径 標準外径 #
INS. RANGE INS. RANGE #
DRAWN BY 04/02/19 CHK'D BY 04/02/19
M.NABEJI M.NABEJI
APP'D BY 04/02/19 M.SASAO
M.SASAO
REVISE ONLY ON CAD SYSTEM

角度 ANGLE	$\pm 3^\circ$
30以上	$\pm 3^\circ$
10以下	± 4.25
未測	± 0.2
10 UNDER	
未測	
10 UNDER	

記号	0	新規作成 (2004-2528)	DR	DATE	04/02/19
TR		変更内容	CHK.		
GENERAL TOLERANCES		REVISION RECORD			

THIS DRAWING CONTAINS INFORMATION THAT IS PROPRIETARY TO MOLEX(JAPAN) AND SHOULD NOT BE USED WITHOUT WRITTEN PERMISSION
本図面は日本モリス(株)の所有する情報を含むもので 当社の許可なく複製を禁止する。