

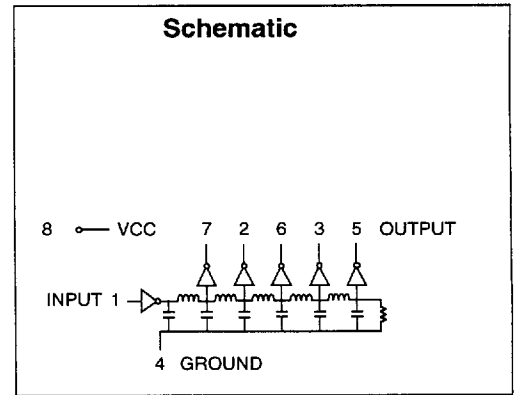
8 Pin 5 Tap High Speed CMOS (HCT) Compatible Active Delay Lines

Delays are $\pm 5\%$ or ± 2 nS†					DIP Part Number	SMD Part Number	Delays are $\pm 5\%$ or ± 2 nS†					DIP Part Number	SMD Part Number
Tap	Total						Tap	Total					
12*	17	22	27	32	EPA1130-32	EPA1130G-32	20	40	60	80	100	EPA1130-100	EPA1130G-100
12*	18	24	30	36	EPA1130-36	EPA1130G-36	25	50	75	100	125	EPA1130-125	EPA1130G-125
12*	19	26	33	40	EPA1130-40	EPA1130G-40	30	60	90	120	150	EPA1130-150	EPA1130G-150
12*	20	28	36	44	EPA1130-44	EPA1130G-44	35	70	105	140	175	EPA1130-175	EPA1130G-175
12*	21	30	39	48	EPA1130-48	EPA1130G-48	40	80	120	160	200	EPA1130-200	EPA1130G-200
12*	22	32	42	52	EPA1130-52	EPA1130G-52	50	100	150	200	250	EPA1130-250	EPA1130G-250
12*	24	36	48	60	EPA1130-60	EPA1130G-60	60	120	180	240	300	EPA1130-300	EPA1130G-300
15	30	45	60	75	EPA1130-75	EPA1130G-75	70	140	210	280	350	EPA1130-350	EPA1130G-350

† Whichever is greater. Delay times referenced from input to leading edges at 25°C, 5.0V.

* Inherent Delay

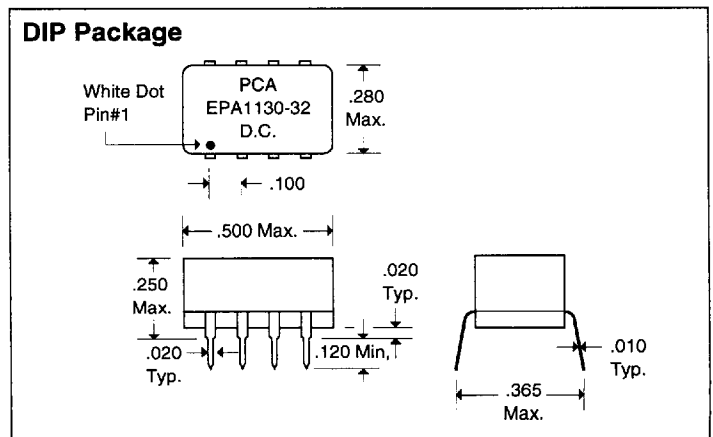
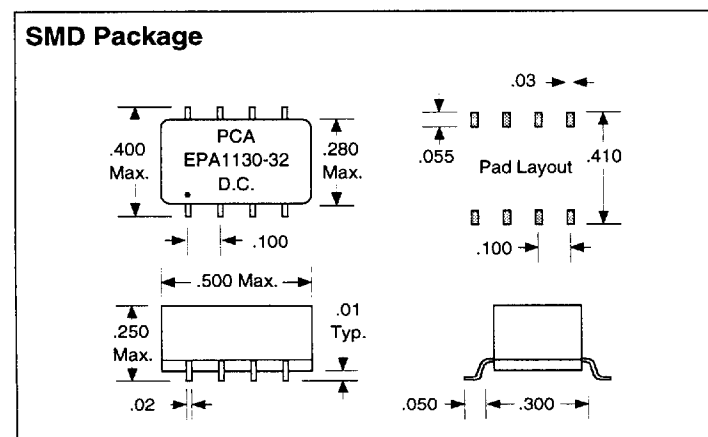
DC Electrical Characteristics			Min	Max	Unit
Parameter	Test Conditions				
V _{IH}	High Level Input Voltage	V _{CC} = 4.5 to 5.5	2.0		Volt
V _{IL}	Low Level Input Voltage	V _{CC} = 4.5 to 5.5		0.8	Volt
V _{OH}	High Level Output Voltage	V _{CC} = 4.5V, I _O = -4.0mA @ V _{IH} or V _{IL}	4.0		Volt
V _{OL}	Low Level Output Voltage	V _{CC} = 4.5V, I _O = 4.0mA @ V _{IH} or V _{IL}		0.3	Volt
I _L	Input Leakage Current	V _{CC} = 5.5V @ V _{IH} or V _{IL}		±1.0	µA
I _{CC}	Supply Current	V _{CC} = 5.5V, V _{IN} = 0		15	mA
T _{RO}	Output Rise Time	(.75 - 2.4 Volts)		4	nS
N _H	High Fanout	V _{CC} = 5.5V, V _{OH} = 4.0V	10		LSTTL Load



Input Pulse Test Conditions @ 25°C			Unit
E _{IN}	Pulse Input Voltage	3.2	Volts
PW	Pulse Width % of Total Delay	150	%
T _{RI}	Input Rise Time (0.75 - 2.4 Volts)	2.0	nS
PRR	Pulse Repetition Rate @ PW ≤ 500nS	1.0	MHz
	Pulse Repetition Rate @ PW > 500nS	100	KHz
V _{CC}	Supply Voltage	5.0	Volts

Recommended Operating Conditions			Min	Max	Unit
V _{CC}	DC Supply Voltage		4.5	5.5	Volt
V _I	DC Input Voltage Range		0	V _{CC}	Volt
V _O	DC Output Voltage Range		0	V _{CC}	Volt
I _O	DC Output Source/Sink Current			25	mA
PW*	Pulse Width % of Total Delay		40		%
D*	Duty Cycle		40		%
T _A	Operating Free Air Temperature		0	70	°C

*These two values are inter-dependent.



DSA1130/G Rev. A 2/5/96

6852109 0000588 31T

QAF-CS01a Rev. B 8/25/94

Unless Otherwise Noted Dimensions in Inches

Tolerances:

Fractional = $\pm 1/32$

.XX = $\pm .030$.XXX = $\pm .010$



16799 SCHOENBORN ST.
NORTH HILLS, CA 91343
TEL: (818) 892-0761
FAX: (818) 894-5791 **29**