

TOSHIBA CMOS Digital Integrated Circuit Silicon Monolithic

T6A36S, JT6A36X-AS

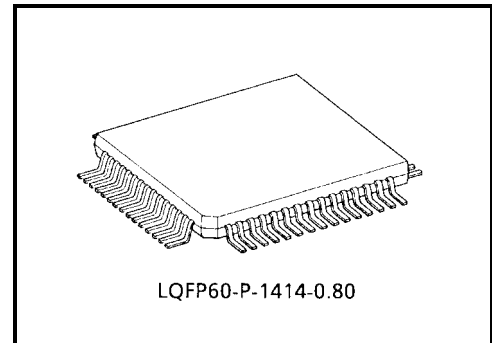
T6A36S, JT6A36X-AS CMOS Single-Chip LSI for LCD Calculator

The T6A36S, JT6A36X-AS is a single-chip microcomputer for 8-digit 1-memory calculator.

T6A36S, JT6A36X-AS can drive the liquid crystal display (LCD). Single power supply operation, low-power consumption make it suitable for single battery operated pocketable calculator.

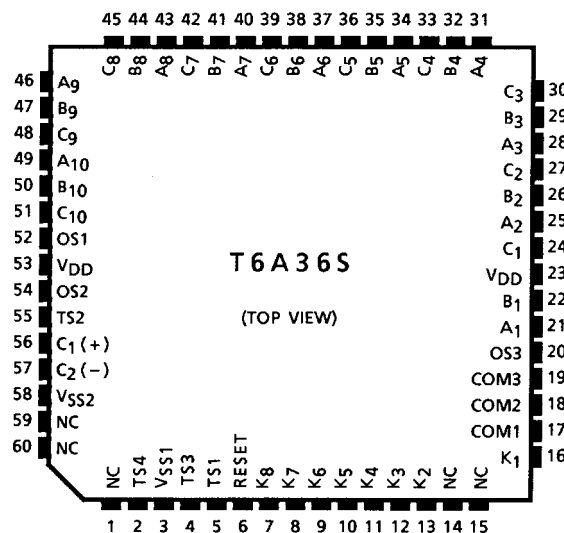
Features

- 8 digits of data and one symbol digit for calculator.
- Algebraic calculation mode.
- Punctuation.
- Standard 4 functions (+, -, ×, ÷), mark up percent with automatic add-on/discount, automatic constant calculations, chain calculations, memory calculations with memory overflow protection.
- Internal keyboard decoding and denouncing.
- Complementary output buffer for direct driving of liquid crystal display (LCD: FEM type -3.0 V, 1/2 bias, 1/3 duty).
- Single power supply (-1.5 V typ.).
- Quad in line flat package (60 pin).
- Very low-power consumption (3.0 μW typ. at wait).
- Very wide range of operating voltage (VSS = -1.2~-2.0 V).
- Automatic power off (A time for about 7 min).



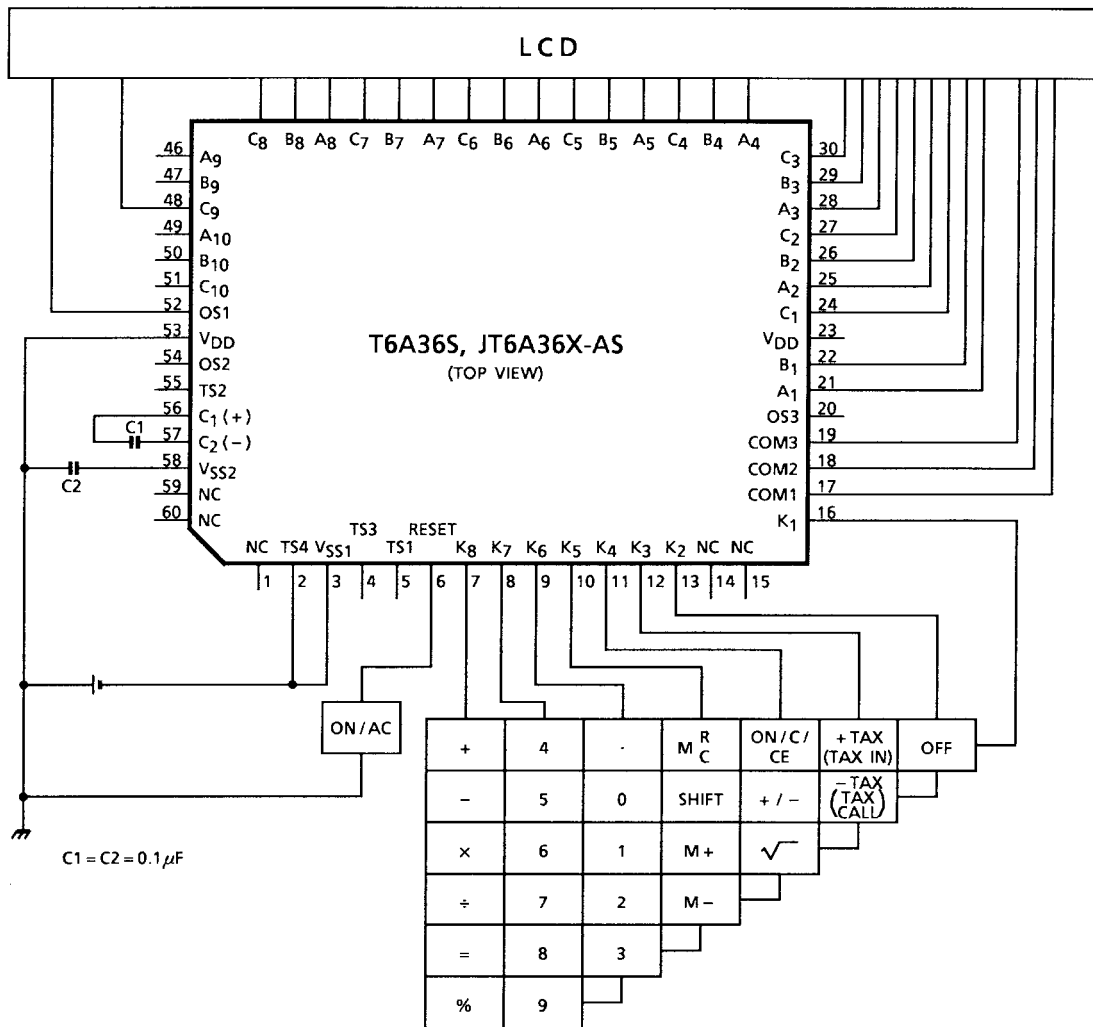
Weight: 0.66 g (typ.)

Pin Assignment (top view)



System Block Diagram

Battery Type

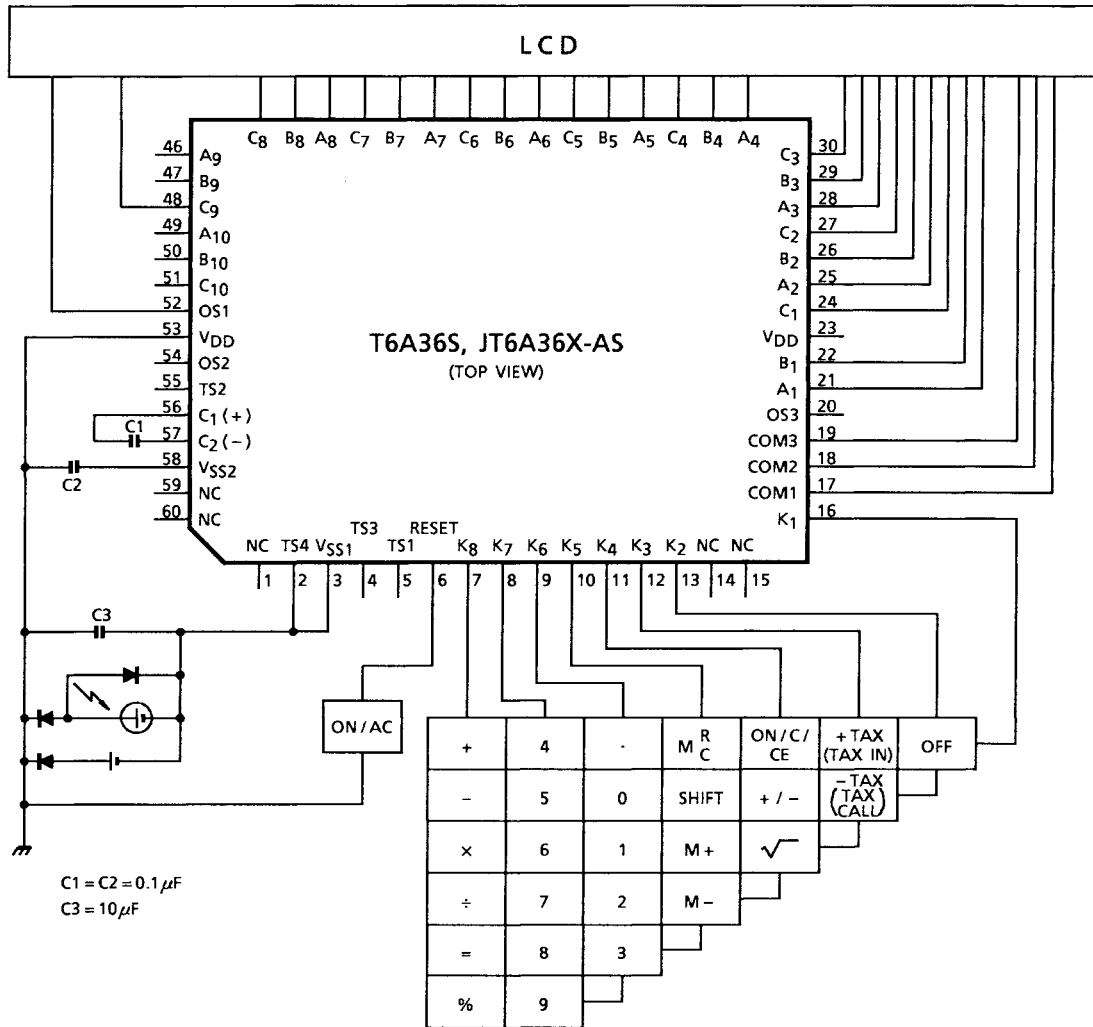


Note 1:

TS4 { VDDOFF mode disable
VSS1OFF mode enable

Rkey ≦ 20 kΩ (-1.2 V)

Dual Type

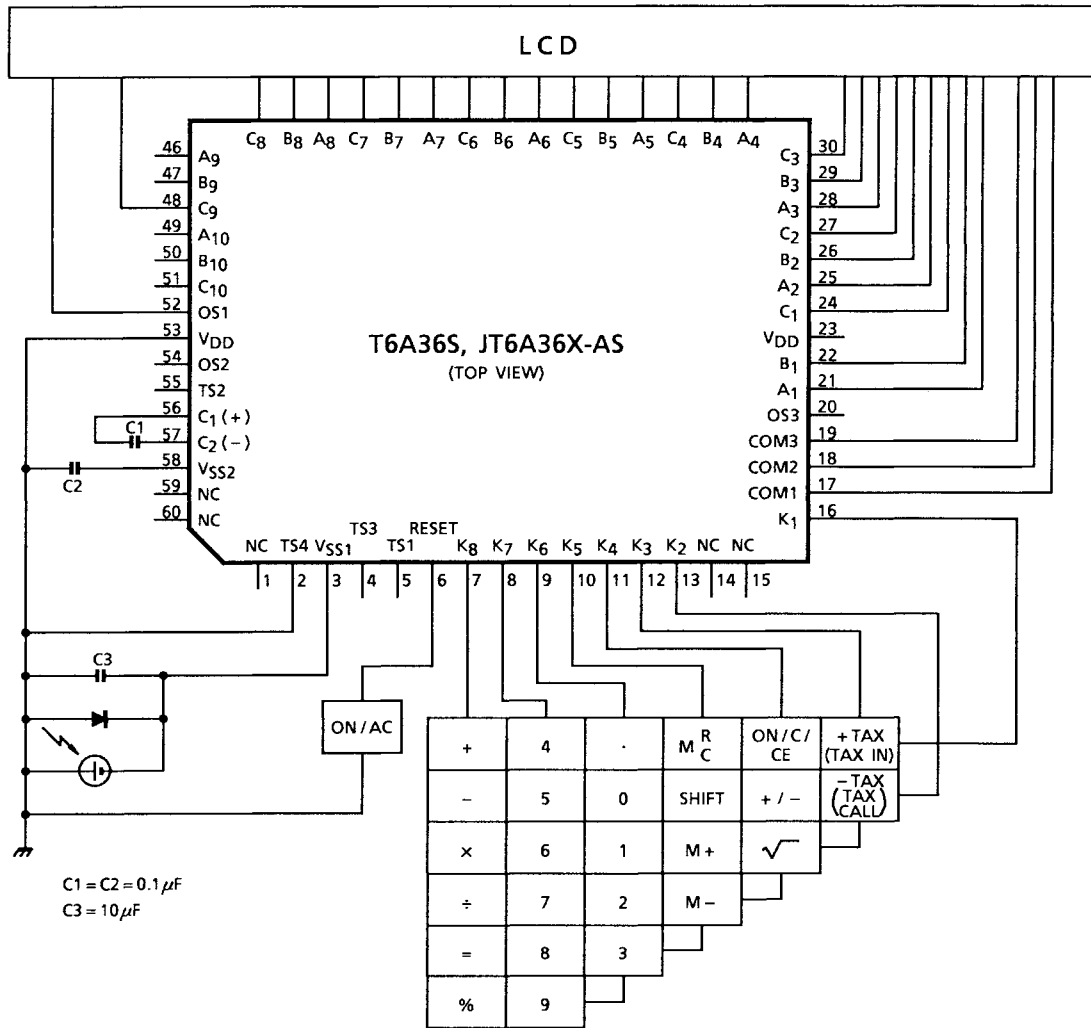


Note 2:

TS4 { VDDOFF mode disable
 VSS1OFF mode enable

Rkey ≦ 20 kΩ (-1.2 V)

Solar Type



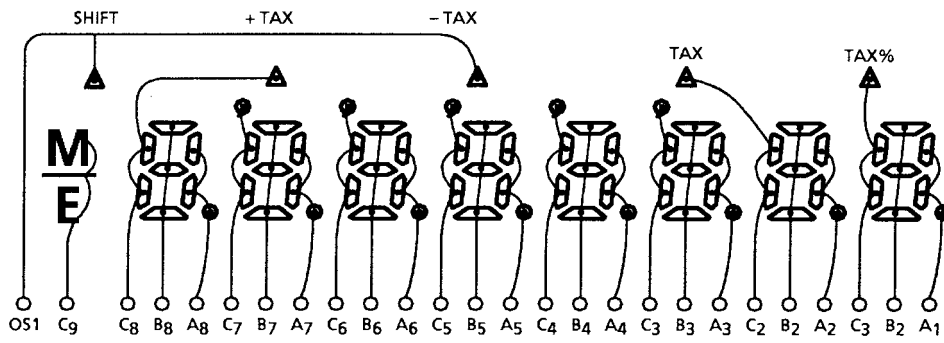
Note 3:

TS4 { VDDOFF mode disable
VSS1OFF mode enable

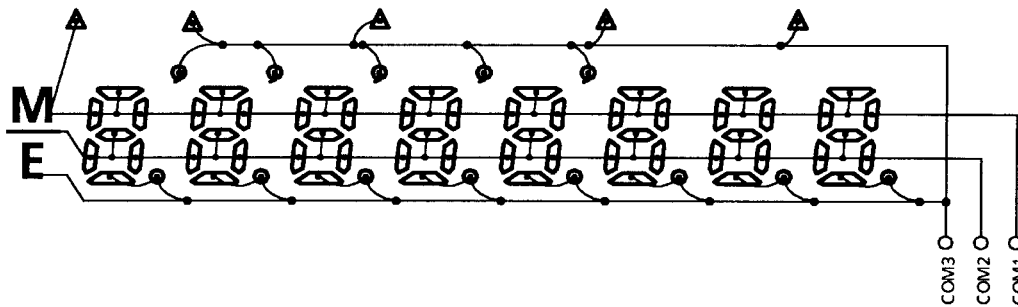
Rkey $\leq 20 \text{ k}\Omega$ (-1.2 V)

Connection of LCD

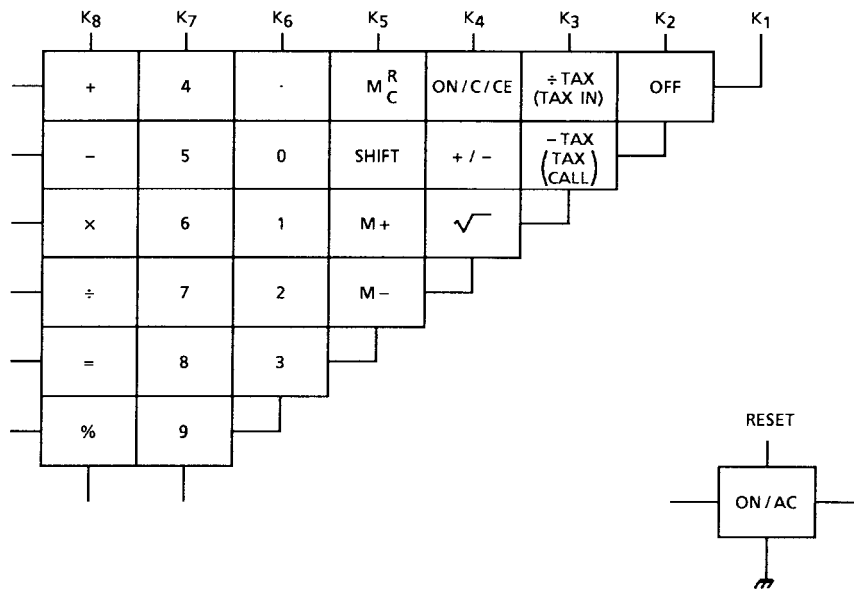
Segment



Common



Key Connection



Specification of Calculator

Operational Features

- (1) 8 digits of data and one symbol digit.
- (2) Algebraic mode.
- (3) Full floating point.
- (4) Standard 4 functions +, -, ×, ÷.
- (5) Memory calculation and memory hold.
- (6) TAX calculation.
- (7) Percent with automatic add-on and discount.
- (8) Constant calculation (automatic constant) .
- (9) Chain calculation.
- (10) Leading zero suppression.
- (11) Trailing zero suppression.
- (12) Square root.
- (13) Change sign.

Capacity of Calculation

- | | |
|-----------------------------|------------------------------------|
| (1) Numeral entry | 8 digits |
| (2) Addition/Subtraction | 8 digits + (-) 8 digits = 8 digits |
| (3) Multiplication/Division | 8 digits × (÷) 8 digits = 8 digits |
| (4) Memory calculation | 8 digits + (-) 8 digits = 8 digits |

Display Font

Arithmetic Operations

1. Addition

Key Op.	Display
A	A
$\boxed{+}$	A
B	B
$\boxed{+}$	A + B
C	C
$\boxed{=}$	A + B + C
D	D
$\boxed{+}$	D
E	E
$\boxed{+}$	D + E
$\boxed{=}$	D + E

2. Subtraction

	Key Op.	Display
(1)	A	A
	$\boxed{-}$	A
	B	B
	$\boxed{-}$	A - B
	C	C
	$\boxed{=}$	A - B - C
	$\boxed{-}$	A - B - C
	D	D
	$\boxed{+ / -}$	-D
	$\boxed{-}$	A - B - C + D
	$\boxed{=}$	-(A - B - C + D)

3. Multiplication

	Key Op.	Display
(1)	A	A
	$\boxed{\times}$	A
	B	B
	$\boxed{=}$	A·B
	$\boxed{+}$	A·B
	C	C
	$\boxed{=}$	A·B + C
(2)	$\boxed{-}$	0.
	A	A
	$\boxed{\times}$	-A
	B	B
	$\boxed{=}$	-A·B

4. Division

	Key Op.	Display
(1)	A	A
	\div	A
	B	B
	$=$	A / B
(2)	$-$	0.
	A	A.
	\div	-A
	B	B
	$=$	-A / B

5. Power Calculation

	Key Op.	Display
(1)	A	A
	\times	A
	$=$	A^2
	$=$	A^3
	(2)	A
(2)	\div	A
	$=$	1 / A
	$=$	1 / A^2
	(3)	$-$
(3)	A	A
	\times	-A
	$=$	A^2
	$=$	$-A^3$
	(4)	$-$
(4)	A	A
	\div	-A
	$=$	-1 / A
	$=$	1 / A^2
	(5)	A
(5)	\times	A
	$=$	A^2
	\times	A^2
	$=$	A^4

6. Mixed Calculation

	Key Op.	Display
(1)	A	A
	\times	A
	B	B
	$+$	A·B
	C	C
	\div	A·B + C
	D	D
	$-$	$\frac{A \cdot B + C}{D}$
	E	E
	$=$	$\frac{A \cdot B + C}{D} - E$

7. Constant Calculation

	Key Op.	Display
(1)	A	A
	\times	A
	B	B
	$=$	A·B
	C	C
(2)	$=$	A·C
	$-$	0.
	A	A
	\times	-A
	B	B
(3)	$=$	-A·B
	C	C
	$=$	-A·C
	A	A
	\div	A
(4)	B	B
	$=$	A/B
	C	C
	$=$	C/B
	D	D
(5)	\times	D
	$=$	D ²
	A	A
	$+$	A
	B	B
(6)	$=$	A + B
	C	C
	$=$	C + B
	A	A
	$-$	A
(7)	B	B
	$=$	A - B
	C	C
	$=$	C - B

	Key Op.	Display
(6)	A	A
	\times	A
	B	B
	$=$	A·B
	C	C
	\times	C
	D	D
	$=$	C·D
	E	E
	$=$	C·E
	\times	C·E
	F	F
	$=$	C·E·F
	G	G
	\div	G
	H	H
$=$	G/H	
I	I	
$=$	I/H	
(7)	A	A
	\times	A
	B	B
	$\%$	A·B / 100
	C	C
	$\%$	A·C / 100
	D	D
	\div	D
	E	E
	$\%$	100·D / E
F	F	
$\%$	100·F / E	

8. Mark-up/Discount Calculator

	Key Op.	Display
(1)	A	A
	\times	A
	B	B
	$+$	$A \cdot B$
	$=$	$A + A \cdot B$
(2)	A	A
	\times	A
	B	B
	$-$	$A \cdot B$
	$=$	$A - A \cdot B$
(3)	A	A
	\times	A
	B	B
	$\%$	$A \cdot B / 100$
	$+$	$A \cdot B / 100$
$=$	$A + A \cdot B / 100$	
(4)	A	A
	\times	A
	B	B
	$\%$	$A \cdot B / 100$
	$-$	$A \cdot B / 100$
$=$	$A - A \cdot B / 100$	
(5)	A	A
	$+$	A
	B	B
	$\%$	$A + A \cdot B / 100$
(6)	A	A
	$-$	A
	B	B
	$\%$	$A - A \cdot B / 100$

9. Memory Calculation

	Key Op.	Display	Memory
(1)	A	A	0.
	$\boxed{M+}$	A (M)	A
	B	B (M)	A
	$\boxed{M+}$	B (M)	A + B
	C	C (M)	A + B
	$\boxed{M-}$	C (M)	A + B - C
	D	D (M)	A + B - C
	$\boxed{M^R_C}$	A + B - C (M)	A + B - C
	$\boxed{M^R_C}$	A + B - C	0.
	(2)	A	A
$\boxed{+}$		A	0.
B		B	0.
$\boxed{M+}$		A + B (M)	A + B
$\boxed{+}$		A + B (M)	A + B
$\boxed{M+}$		A + B (M)	2 (A + B)
C		C (M)	2 (A + B)
$\boxed{M-}$		C (M)	2 (A + B) - C
(3)	A	A	0.
	$\boxed{\times}$	A	0.
	B	B	0.
	$\boxed{M+}$	A · B (M)	A · B
	C	C (M)	A · B
	$\boxed{\times}$	C (M)	A · B
	D	D (M)	A · B
	$\boxed{M-}$	C · D (M)	A · B - C · D
	$\boxed{M^R_C}$	A · B - C · D (M)	A · B - C · D
	$\boxed{M-}$	A · B - C · D	0.

	Key Op.	Display	Memory
(4)	A	A	0.
	$\boxed{\times}$	A	0.
	B	B	0.
	$\boxed{=}$	A·B	0.
	C	C	0.
	$\boxed{M+}$	C (M)	C
	$\boxed{=}$	A·C (M)	C
	D	D (M)	C
	$\boxed{M-}$	D (M)	C - D
	$\boxed{=}$	A·D (M)	C - D
(5)	A	A	0.
	$\boxed{M+}$	A (M)	A
	B	B (M)	A
	$\boxed{M+}$	B (M)	A + B
	$\boxed{M^R_C}$	A + B (M)	A + B
	$\boxed{\times}$	A + B (M)	A + B
	$\boxed{M^R_C}$	A + B (M)	A + B
	$\boxed{+}$	(A + B) ² (M)	A + B
	C	C (M)	A + B
	$\boxed{=}$	(A + B) ² + C (M)	A + B
(6)	1.0000001	1.0000001	0.
	$\boxed{M+}$	1.0000001 (M)	1.0000001
	99999999	99999999. (M)	1.0000001
	$\boxed{M+}$	0. ($\frac{M}{E}$)	1.0000001
	$\boxed{ON/C/CE}$	0. (M)	1.0000001
	$\boxed{M^R_C}$	1.0000001 (M)	1.0000001

10. Square Root

	Key Op.	Display	Memory
(1)	A	A	
	$\sqrt{\square}$	\sqrt{A}	
(2)	B	B	
	A	A	
	\times	A	
	B	B	
	$\sqrt{\square}$	\sqrt{B}	
(3)	$=$	$A\sqrt{B}$	
	A	A	
	\times	A	
	$\sqrt{\square}$	\sqrt{A}	
	B	B	
(4)	$=$	$A \cdot B$	
	$-$	0.	
	A	A	
	$=$	-A	
	$\sqrt{\square}$	$\sqrt{A (E)}$	
(5)	A	A	0.
	$M+$	A (M)	A
	M^R_C	A (M)	A
	\div	A (M)	A
	B	B (M)	A
	$+ / -$	-B (M)	A
	$\sqrt{\square}$	$\sqrt{B (M)}$ <small>(E)</small>	A
	$ON/C/CE$	0. (M)	A

11. Percentage Calculation

	Key Op.	Display	Memory
(1)	A	A	
	$\boxed{\times}$	A	
	B	B	
	$\boxed{\%}$	$A \cdot B / 100$	
	C	C	
	$\boxed{\%}$	$A \cdot C / 100$	
	D	D	
	$\boxed{\%}$	$A \cdot D / 100$	
	(2)	A	A
$\boxed{\%}$		A	
B		B	
$\boxed{\%}$		B	
C		C	
$\boxed{\%}$		C	
(3)	A	A	
	$\boxed{-}$	A	
	B	B	
	$\boxed{\%}$	$A - A \cdot B / 100$	
	$\boxed{-}$	$A - A \cdot B / 100$	
	$\boxed{+}$	$A - A \cdot B / 100$	
	C		
	$\boxed{\%}$	$\left(A - \frac{A \cdot B}{100}\right) + \frac{\left(A - \frac{A \cdot B}{100}\right) \cdot C}{100}$	

12. Key Correction

	Key Op.	Display	Memory
(1)	A	A	0.
	\times	A	0.
	\div	A	0.
	-	A	0.
	+	A	0.
	$\sqrt{\quad}$	\sqrt{A}	0.
	M+	$A + \sqrt{A} (M)$	$A + \sqrt{A}$
	+ / -	$-(A + \sqrt{A}) (M)$	$A + \sqrt{A}$
	M _C ^R	$A + \sqrt{A} (M)$	$A + \sqrt{A}$
	M _C ^R	$A + \sqrt{A} (M)$	0.
	B	B	0.
	+	B	0.
	-	B	0.
	\times	B	0.
	\div	B	0.
	=	1 / B	0.

13. Others

	Key Op.	Display	Memory
(1)	A	A	
	+	A	
	=	A	
(2)	A	A	
	\times	A	
	\div	A	
	=	1 / A	
(3)	A	A	
	\div	A	
	+	A	
	=	A	

	Key Op.	Display	Memory
(4)	A	A	
	\times	A	
	$-$	A	
	$=$	-A	
(5)	A	A	
	\div	A	
	$-$	A	
	$=$	-A	
(6)	A	A	
	\times	A	
	ON/C/CE	0.	
	B	B	
	$=$	B	
(7)	A	A	
	\times	A	
	B	B	
	ON/C/CE	0.	
	C	C	
	$=$	A·C	

14. TAX Calculation

	Key Op.	Display
(1)	A	A
	SHIFT	A SHIFT
	+ TAX	A TAX%
(2)	SHIFT	0. SHIFT
	- TAX	A TAX%
(3)	B	B
	+ TAX	B (1 + A / 100) + TAX
	+ TAX	B·A / 100 TAX
	+ TAX	B (1 + A / 100) + TAX
	+ TAX	B·A / 100 TAX
(4)	B	B
	- TAX	B / (1 + A / 100) - TAX
	- TAX	B - B / (1 + A / 100) TAX
	- TAX	B / (1 + A / 100) - TAX
	- TAX	B - B / (1 + A / 100) TAX

Maximum Characteristics

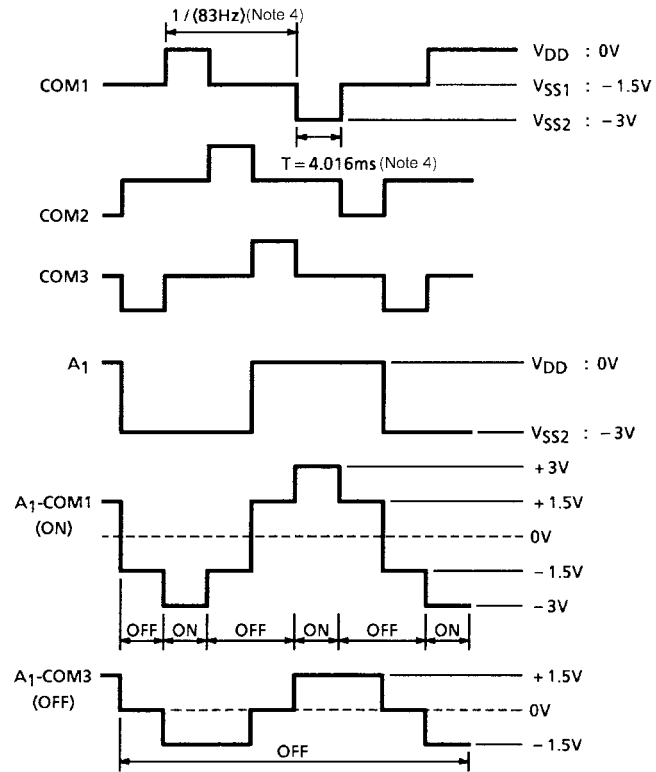
Characteristics	Symbol	Rating	Unit
Supply voltage	V_{SS1}	+0.3~-2.2	V
Input voltage	V_{IN}	+0.3- V_{DD1} -0.3	V
Operating temperature	T_{opr}	+0.0~40	°C
Storage temperature	T_{stg}	-55~125	°C

Electrical Characteristics

($V_{SS1} = -1.5 \text{ V} \pm 0.2 \text{ V}$, $V_{SS2} = -3.0 \text{ V} \pm 4.0 \text{ V}$, $V_{DD} = 0 \text{ V}$, $T_a = 25^\circ\text{C}$)

Characteristics	Symbol	Test Circuit	Pin Name	Test Condition	Min	Typ.	Max	Unit	
Operating voltage	V_{SS1}	—	—	—	-1.2	-1.5	-2.0	V	
Voltage	Input "1"	V_{IH}	K ₂ ~K ₈ , RESET	—	$V_{SS1} + 0.4$	—	V_{SS1}	V	
	Input "0"	V_{IL}	K ₂ ~K ₈ , RESET	—	0	—	-0.4	V	
	Onput "1"	V_{OH}	Segment, Common	—	$V_{SS2} + 0.2$	—	V_{SS2}	V	
	Output "0"	V_{OL}	Segment, Common	—	0	—	-0.2	V	
	Output "1"	V_{OH}	K ₁ ~K ₈ , RESET	—	$V_{SS1} + 0.2$	—	V_{SS1}	V	
	Output "0"	V_{OL}	K ₁ ~K ₆ , RESET	—	0	—	-0.2	V	
Resistance	Output "1"	R_{OH}	Segment	$V_{OUT} = V_{DD2} + 0.5 \text{ V}$	—	—	70	k Ω	
	Output "0"	R_{OL}	Segment	$V_{OUT} = -0.5 \text{ V}$	—	—	70	k Ω	
	Output "1"	R_{OH}	Common	$V_{OUT} = V_{DD2} + 0.5 \text{ V}$	—	—	70	k Ω	
	Output "0"	R_{OL}	Common	$V_{OUT} = -0.5 \text{ V}$	—	—	70	k Ω	
	Pull up	R_{KH}	—	K ₁ ~K ₈	$V_{OUT} = 0 \text{ V}$	60	400	1500	k Ω
		RESET	—	RESET	$V_{OUT} = 0 \text{ V}$	200	300	400	
Output "0"	R_{OL}	—	K ₁ ~K ₆	$V_{OUT} = -0.5 \text{ V}$	—	—	10	k Ω	
Supply current 1 (on display)	I_{DD1}	—	—	$V_{SS1} = -1.5 \text{ V}$ (no keys)	—	-2.2	-3.6	μA	
Supply current 2 (operation)	I_{DD2}	—	—	$V_{SS1} = -1.2 \text{ V}$ (peak OF A11 $9\sqrt{\text{ }}$)	—	-4.4	-6.6	μA	
Supply current 3 (off)	I_{DD3}	—	—	$V_{SS1} = -1.5 \text{ V}$ (off status)	—	-0.5	-2.0	μA	
Oscillating frequency	fosc (WAIT)	—	—	$V_{SS1} = -1.5 \text{ V}$	On Display	5.4	9	12.6	kHz
	fosc (OP)	—	—		On Operating	10.8	18	25.2	
Frame frequency	f_F	—	—	$V_{SS1} = -1.5 \text{ V}$ (wait)	50	83	117	Hz	
Power off timer	T timer	—	—	$V_{SS1} = -1.5 \text{ V}$	252	420	588	s	

Waveforms for Display



Note 4: $f\phi = 9\text{ kHz}$

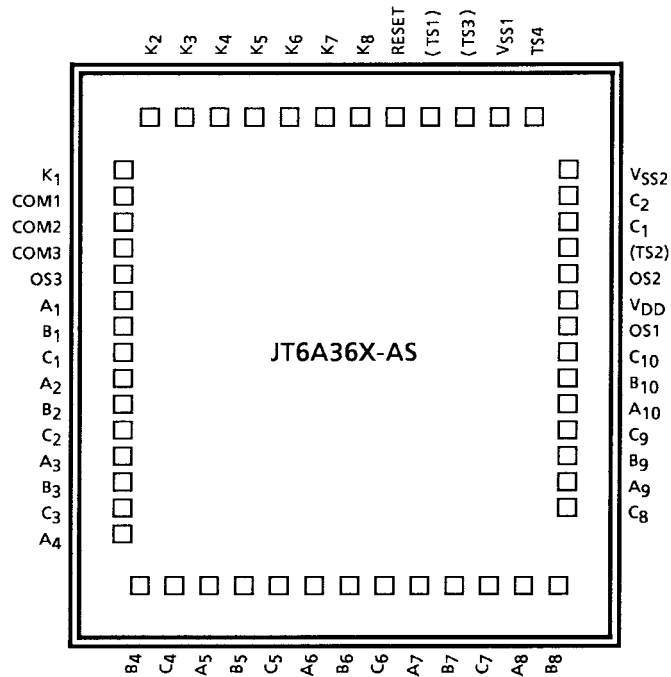
Pad Location Table

(μm)

Name	X Point	Y Point
TS4	779	1086
V _{SS1}	628	1086
TS3	476	1086
TS1	324	1086
RESET	172	1086
K ₈	21	1086
K ₇	-131	1086
K ₆	-283	1086
K ₅	-434	1086
K ₄	-586	1086
K ₃	-738	1086
K ₂	-889	1086
K ₁	-1462	931
COM1	-1462	733
COM2	-1462	581
COM3	-1462	430
OS3	-1462	278
A ₁	-1462	126
B ₁	-1462	-26
C ₁	-1462	-177
A ₂	-1462	-329
B ₂	-1462	-481
C ₂	-1462	-632
A ₃	-1462	-784
B ₃	-1462	-936
C ₃	-1462	-1087
A ₄	-1462	-1239

Name	X Point	Y Point
B ₄	-1097	-1412
C ₄	-946	-1412
A ₅	-794	-1412
B ₅	-642	-1412
C ₅	-491	-1412
A ₆	-339	-1412
B ₆	-187	-1412
C ₆	-36	-1412
A ₇	116	-1412
B ₇	268	-1412
C ₇	420	-1412
A ₈	571	-1412
B ₈	723	-1412
C ₈	1084	-1240
A ₉	1084	-1088
B ₉	1084	-936
C ₉	1084	-785
A ₁₀	1084	-633
B ₁₀	1084	-481
C ₁₀	1084	-330
OS1	1084	-178
V _{DD}	1084	-26
OS2	1084	125
TS2	1084	326
C ₁ (+)	1084	534
C ₂ (-)	1084	735
V _{SS2}	1084	937

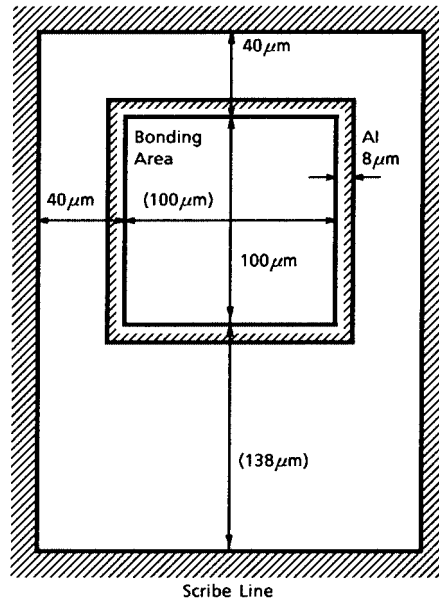
Chip Layout



Chip size : 3.04 × 3.02 [mm]
 Chip thickness : 440 ± 30 [μm]
 Substrate : VDD

Pad Layout

Active Element

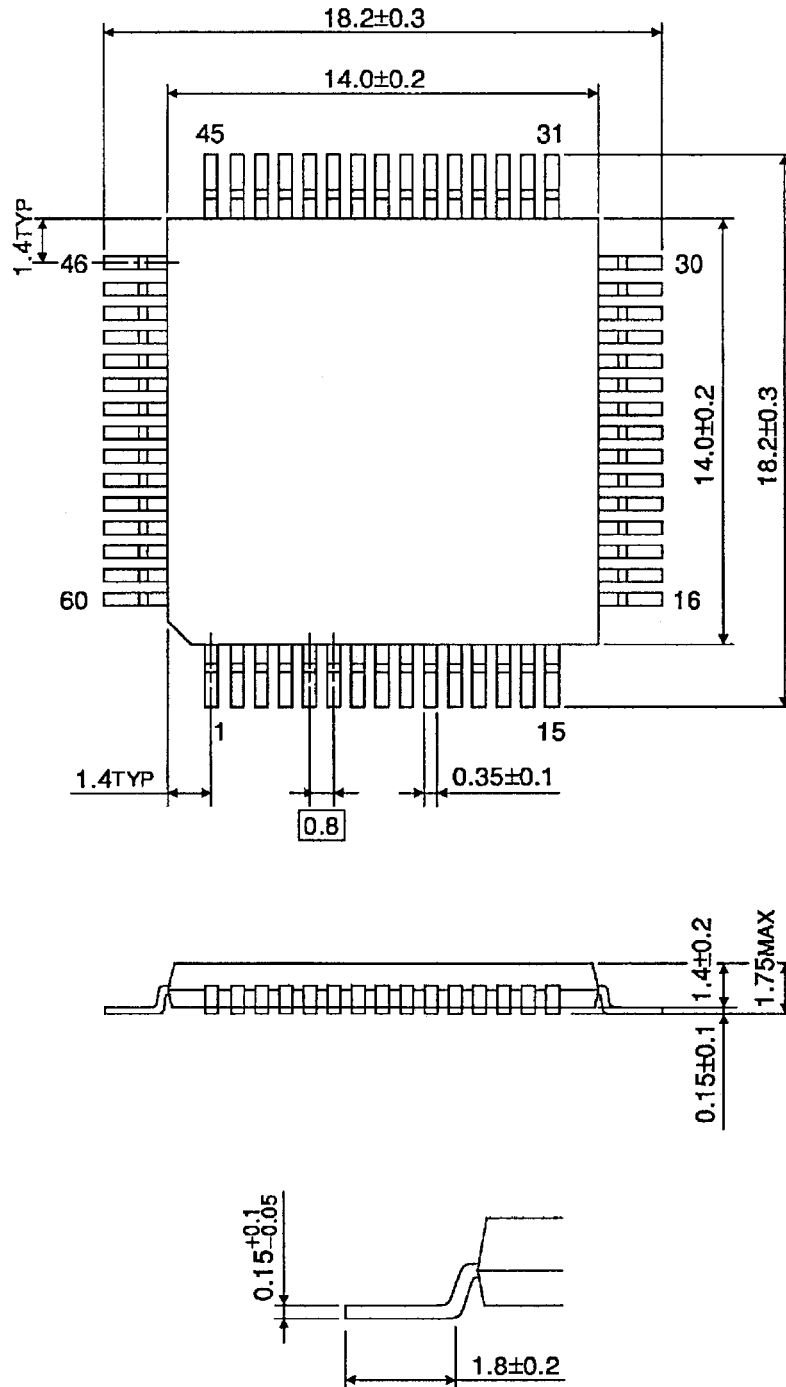


PAD Pitch 151 μm

Package Dimensions

LQFP60-P-1414-0.80

Unit : mm



Weight: 0.66 g (typ.)

RESTRICTIONS ON PRODUCT USE

000707EBA

- TOSHIBA is continually working to improve the quality and reliability of its products. Nevertheless, semiconductor devices in general can malfunction or fail due to their inherent electrical sensitivity and vulnerability to physical stress. It is the responsibility of the buyer, when utilizing TOSHIBA products, to comply with the standards of safety in making a safe design for the entire system, and to avoid situations in which a malfunction or failure of such TOSHIBA products could cause loss of human life, bodily injury or damage to property.
In developing your designs, please ensure that TOSHIBA products are used within specified operating ranges as set forth in the most recent TOSHIBA products specifications. Also, please keep in mind the precautions and conditions set forth in the "Handling Guide for Semiconductor Devices," or "TOSHIBA Semiconductor Reliability Handbook" etc..
- The TOSHIBA products listed in this document are intended for usage in general electronics applications (computer, personal equipment, office equipment, measuring equipment, industrial robotics, domestic appliances, etc.). These TOSHIBA products are neither intended nor warranted for usage in equipment that requires extraordinarily high quality and/or reliability or a malfunction or failure of which may cause loss of human life or bodily injury ("Unintended Usage"). Unintended Usage include atomic energy control instruments, airplane or spaceship instruments, transportation instruments, traffic signal instruments, combustion control instruments, medical instruments, all types of safety devices, etc.. Unintended Usage of TOSHIBA products listed in this document shall be made at the customer's own risk.
- The products described in this document are subject to the foreign exchange and foreign trade laws.
- The information contained herein is presented only as a guide for the applications of our products. No responsibility is assumed by TOSHIBA CORPORATION for any infringements of intellectual property or other rights of the third parties which may result from its use. No license is granted by implication or otherwise under any intellectual property or other rights of TOSHIBA CORPORATION or others.
- The information contained herein is subject to change without notice.