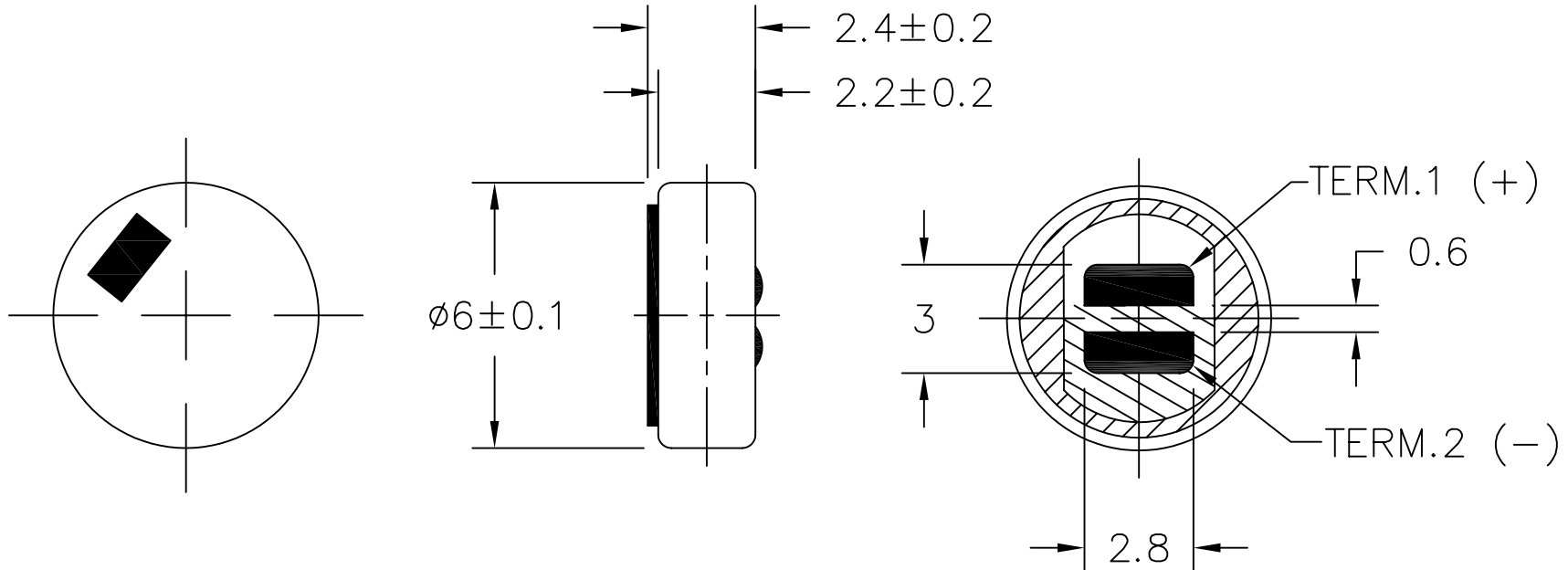


THIS DOCUMENT CONTAINS DATA PROPRIETARY TO PROJECTS UNLIMITED, INC. ANY USE OR REPRODUCTION, IN ANY FORM, WITHOUT PRIOR WRITTEN PERMISSION OF PROJECTS UNLIMITED, INC. IS PROHIBITED.
 © 2005, Projects Unlimited Inc.

SPECIFICATIONS

PARAMETERS	VALUES	UNITS
DIRECTIVITY	OMNI	-
SENSITIVITY	-40±2	dB
STANDARD OPERATING VOLTAGE	2	Vdc
MAX OPERATING VOLTAGE	10	Vdc
CURRENT CONSUMPTION (MAX)	0.5	mA
IMPEDANCE	2.2	kOhm
SIGNAL TO NOISE RATIO (MIN.)	60	dB
TERMINAL	SOLDER PAD	-
INTERNAL CAPACITOR	10 & 33	pF


REVISIONS			
LTR	DESCRIPTION	DATE	APPROVED
-	RELEASED FROM ENGINEERING	6/27/06	



NOTES:

1. ALL DIMENSIONS ARE IN MILLIMETERS.
2. SPECIFICATION SUBJECT TO CHANGE OR WITHDRAWAL WITHOUT NOTICE.
3. THIS PART IS RoHS 2002/95/EC COMPLIANT.

FILE NAME
 POM-2240L-C1033-R.DWG

UNLESS OTHERWISE SPECIFIED: DIMENSIONS ARE IN MILLIMETERS, TOLERANCES ARE ± 0.5 AND ANGLES ARE $\pm 3^\circ$.		 projects® unlimited Dayton, Ohio													
<table border="1"> <thead> <tr> <th>APPROVALS</th> <th>DATE</th> </tr> </thead> <tbody> <tr> <td>DRAWN <i>J.D.</i></td> <td>6/06</td> </tr> <tr> <td>CHECKED <i>E.P.</i></td> <td>6/06</td> </tr> <tr> <td>APPROVED <i>B.R.</i></td> <td>6/06</td> </tr> </tbody> </table>		APPROVALS	DATE	DRAWN <i>J.D.</i>	6/06	CHECKED <i>E.P.</i>	6/06	APPROVED <i>B.R.</i>	6/06	<h1>MICROPHONE</h1>					
APPROVALS	DATE														
DRAWN <i>J.D.</i>	6/06														
CHECKED <i>E.P.</i>	6/06														
APPROVED <i>B.R.</i>	6/06														
<table border="1"> <thead> <tr> <th>SIZE</th> <th>DRAWING NO.</th> </tr> </thead> <tbody> <tr> <td>A</td> <td>POM-2240L-C1033-R</td> </tr> </tbody> </table>		SIZE	DRAWING NO.	A	POM-2240L-C1033-R	<table border="1"> <thead> <tr> <th>SCALE:</th> <th>SHEET</th> <th>OF</th> <th></th> </tr> </thead> <tbody> <tr> <td>N.T.S.</td> <td>1</td> <td>1</td> <td></td> </tr> </tbody> </table>		SCALE:	SHEET	OF		N.T.S.	1	1	
SIZE	DRAWING NO.														
A	POM-2240L-C1033-R														
SCALE:	SHEET	OF													
N.T.S.	1	1													
DO NOT SCALE DRAWING															