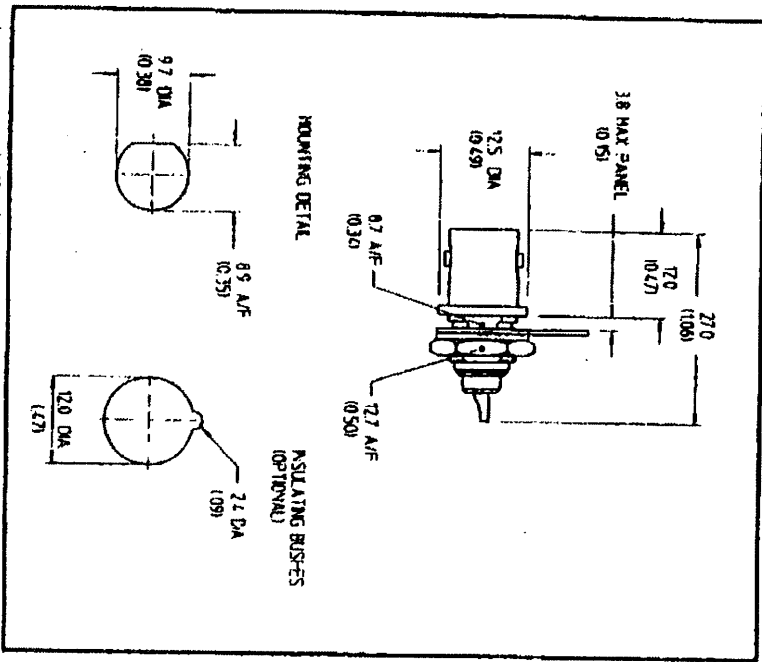


307-0440



Amp pin 1310704--1

Impedance	Part Number	Cable Type	Body Plating
50 ohm	B35M27J001X	N/A	Nickel