

PRELIMINARY

LEDW47-66-60-120 Flat Lens Type White Color Light Illuminator

LEDW47-66-60-120 is a wide viewing and extremely high bright and output power illuminator assembled with a total of 60 high efficiency InGaN blue color diode chips, mounted on a metal stem TO-66 and covered with Flat Glass Cap.

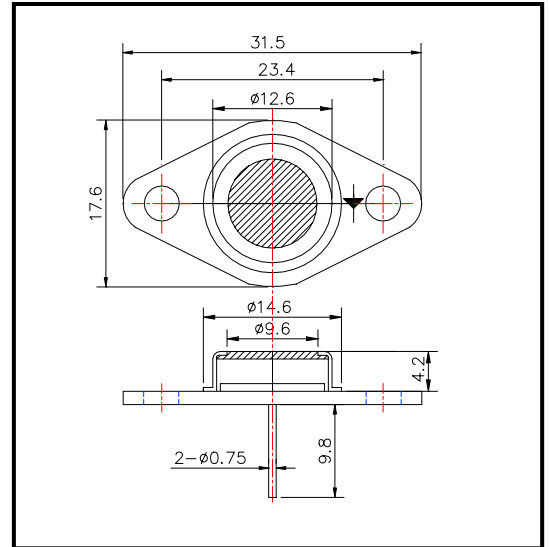
◆ Features

- 1) High Brightness
- 2) Compact (TO-66) package

◆ Specifications

- 1) Product name white color light illuminator
- 2) Spec. No. LEDW47-66-60-120
- 3) Chip
 - (1) Material InGaN
 - (2) Peak wavelength white color
- 4) Package
 - (1) Stem TO-66 stem
 - (2) Lens flat glass cap

◆ Outer dimension (unit: mm)



◆ Absolute Maximum Ratings

Item	Symbol	Maximum Rated Value	Unit	Ambient Temperature
Power Dissipation	P _D	8.5	W	T _a = 25°C
Forward Current	I _F	400	mA	T _a = 25°C
Pulse Forward Current	I _{FP}	2000	mA	T _a = 25°C
Reverse Voltage	V _R	30	V	T _a = 25°C
Operating Temperature	T _{OPR}	-30 ~ +80	°C	
Storage Temperature	T _{STG}	-30 ~ +100	°C	
Soldering Temperature	T _{SOL}	240	°C	

‡Pulse Forward Current condition: Duty = 1% and Pulse Width = 1 μs.

‡Soldering condition: Soldering condition must be completed within 3 seconds at 260.

◆ Electro-Optical Characteristics

Item	Symbol	Condition	Minimum	Typical	Maximum	Unit
Forward Voltage	V _F	I _F = 240 mA		19.0		V
Brightness	I _V	I _F = 240 mA		13		cd
Total Radiated Power	P _O	I _F = 240 mA		60		mW
Radiant Intensity	I _E	I _F = 240 mA		35		mW/sr
Reverse Current	V _R	I _R = 10 μA	50			V
Peak Wavelength	λ _P	I _F = 240 mA		*1		nm
Half Width	Δλ	I _F = 240 mA		-		nm
Viewing Half Angle	θ _{1/2}	I _F = 240 mA		±55		deg.

*1 x: 2.3±0.3E-01, y: 2.2±0.3E-01

‡ Heat sink is required thermal resistance <8K/W