

CDP6805G2 CDP6805G2C

CMOS High Performance Silicon Gate
8-Bit Microcontroller

January 1991

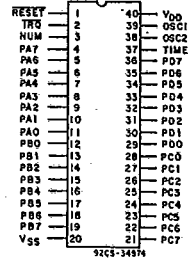
T-49-19-06

Features

- Typical Full Speed Operating Power at 5V 12mW
- Typical WAIT Mode Power 4mW
- Typical STOP Mode Power 5µW
- Fully Static Operation
- On-Chip RAM 112 Bytes
- On-Chip ROM 2106 Bytes
- Bidirectional I/O Lines 32
- High Current Drive
- Internal 8-Bit Timer With Software Programmable 7-Bit Prescaler
- External Timer Input
- External Interrupts And Timer Interrupts
- Self Check Mode
- Master Reset And Power On/Reset
- Single 3V to 6V Supply
- On-Chip Oscillator With RC or Crystal Mask Options
- True Bit Manipulation
- Addressing Modes With Indexed Addressing for Tables

Pinout

PACKAGE TYPES D AND E
TOP VIEW

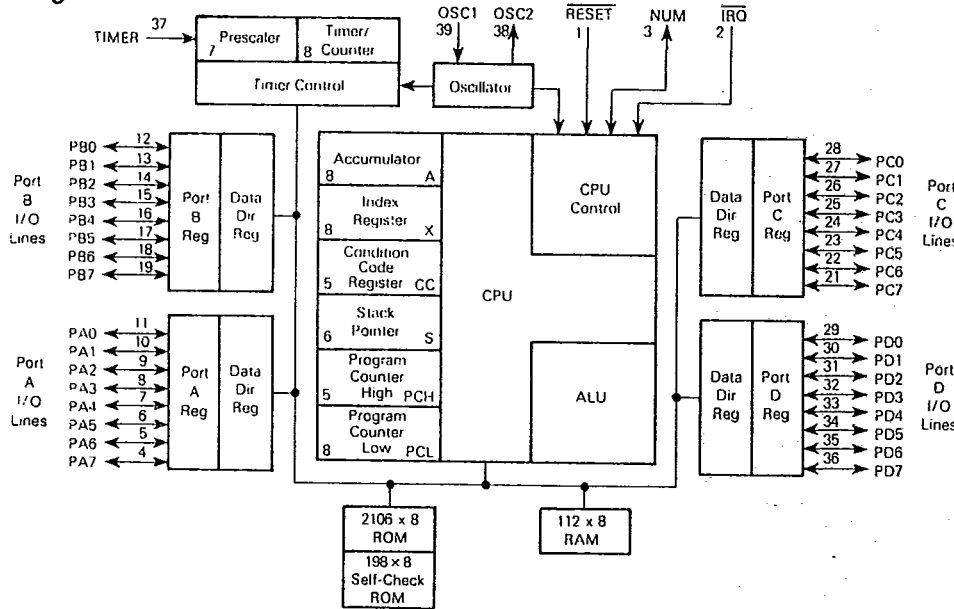


Description

The CDP6805G2 Microcomputer Unit (MCU) belongs to the CDP6805 Family of Microcomputers. This 8-bit MCU contains on chip oscillator, CPU, RAM, ROM, I/O, and Timer. The fully static design allows operation at frequencies down to DC, further reducing its already low power consumption. It is a low power processor designed for low end to mid

range applications in the consumer, automotive, industrial and communications markets where very low power consumption constitutes an important factor. The CDP6805G2 and CDP6805G2C are available in a 40 lead dual-in-line plastic package (E suffix) and in a 40 lead dual-in-line sidebraced ceramic package (D suffix).

Block Diagram



2
MICROCONTROLLERS

T-49-19-06

MAXIMUM RATINGS (Voltages Referenced to V_{SS})

Rating	Symbol	Value	Unit
Supply Voltage	V _{DD}	-0.3 to +8	V
All Input Voltages Except OSC1	V _{in}	V _{SS} -0.5 to V _{DD} +0.5	V
Current Drain Per Pin Excluding V _{DD} and V _{SS}	I	10	mA
Operating Temperature Range	T _A	T _L T _H	°C
CDP6805G2		0 to +70	
CDP6805G2C	-40 to +85		
Storage Temperature Range	T _{stg}	-55 to +150	°C
Current Drain Total (PD4-PD7 only)	I _{OH}	40	mA

THERMAL CHARACTERISTICS

Characteristics	Symbol	Value	Unit
Thermal Resistance	θ _{JA}	100	°C/W
Plastic		50	
Ceramic			

This device contains circuitry to protect the inputs against damage due to high static voltages of electric fields; however, it is advised that normal precautions be taken to avoid application of any voltage higher than maximum rated voltages to this high impedance circuit. For proper operation it is recommended that V_{in} and V_{out} be constrained to the range V_{SS} ≤ (V_{in} or V_{out}) ≤ V_{DD}. Reliability of operation is enhanced if unused inputs except OSC2 and NUM are tied to an appropriate logic voltage level (e.g., either V_{SS} or V_{DD}).

Port	R ₁	R ₂
B and C	24.3 kΩ	4.32 kΩ
A, PD0-PD3	1.21 kΩ	3.1 kΩ
PD4-PD7	300 Ω	1.64 kΩ

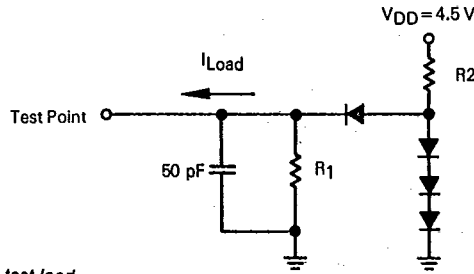


Fig. 2 - Equivalent test load.

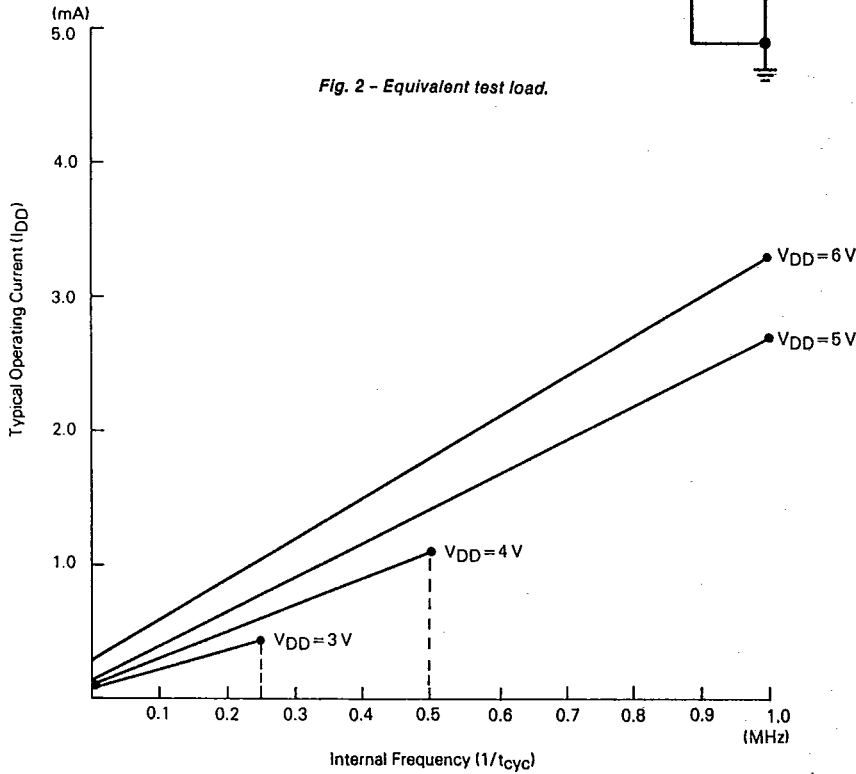


Fig. 3 - Typical operating current vs. internal frequency.

DC ELECTRICAL CHARACTERISTICS ($V_{DD}=3\text{ Vdc}$, $V_{SS}=0\text{ Vdc}$, $T_A=T_L$ to T_H , unless otherwise noted)

Characteristics	Symbol	Min	Max	Unit
Output Voltage $I_{Load} \leq 1\ \mu\text{A}$	V_{OL} V_{OH}	- $V_{DD}-0.1$	0.1 -	V V
Output High Voltage ($I_{Load} = -50\ \mu\text{A}$) PB0-PB7, PC0-PC7	V_{OH}	1.4	-	V
($I_{Load} = -0.5\ \text{mA}$) PA0-PA7, PD0-PD3	V_{OH}	1.4	-	V
($I_{Load} = -2\ \text{mA}$) PD4-PD7	V_{OH}	1.4	-	V
Output Low Voltage ($I_{Load} = 300\ \mu\text{A}$) All Ports PA0-PA7, PB0-PB7, PC0-PC7, PD0-PD7	V_{OL}	-	0.3	V
Input High Voltage Ports PA0-PA7, PB0-PB7, PC0-PC7, PD0-PD7	V_{IH}	2.7	V_{DD}	V
TIMER, $\overline{\text{IRQ}}$, RESET	V_{IH}	2.7	V_{DD}	V
OSC1	V_{IH}	2.7	V_{DD}	V
Input Low Voltage All Inputs	V_{IL}	V_{SS}	0.3	V
Total Supply Current (no dc Loads, $t_{cyc}=5\ \mu\text{s}$)				
RUN (measured during self-check, $V_{IL}=0.1\ \text{V}$, $V_{IH}=V_{DD}-0.1\ \text{V}$)	I_{DD}	-	0.5	mA
WAIT (See Note)	I_{DD}	-	200	μA
STOP (See Note)	I_{DD}	-	100	μA
I/O Ports Input Leakage PA0-PA7, PB0-PB7, PC0-PC7, PD0-PD7	I_{IL}	-	5	μA
Input Current RESET, $\overline{\text{IRQ}}$, TIMER, OSC1	I_{in}	-	± 1	μA
Capacitance Ports	C_{out}	-	12	pF
RESET, $\overline{\text{IRQ}}$, TIMER, OSC1	C_{in}	-	8	pF

DC ELECTRICAL CHARACTERISTICS ($V_{DD}=5\ \text{Vdc} \pm 10\%$, $V_{SS}=0\ \text{Vdc}$, $T_A=T_L$ to T_H , unless otherwise noted)

Characteristics	Symbol	Min	Max	Unit
Output Voltage $I_{Load} \leq 10\ \mu\text{A}$	V_{OL} V_{OH}	- $V_{DD}-0.1$	0.1 -	V V
Output High Voltage ($I_{Load} = -100\ \mu\text{A}$) PB0-PB7, PC0-PC7	V_{OH}	2.4	-	V
($I_{Load} = -2\ \text{mA}$) PA0-PA7, PD0-PD3	V_{OH}	2.4	-	V
($I_{Load} = -8\ \text{mA}$) PD4-PD7	V_{OH}	2.4	-	V
Output Low Voltage ($I_{Load} = 800\ \mu\text{A}$) All Ports PA0-PA7, PB0-PB7, PC0-PC7, PD0-PD7	V_{OL}	-	0.4	V
Input High Voltage Ports PA0-PA7, PB0-PB7, PC0-PC7, PD0-PD7	V_{IH}	$V_{DD}-2$	V_{DD}	V
TIMER, $\overline{\text{IRQ}}$, RESET, OSC1	V_{IH}	$V_{DD}-0.8$	V_{DD}	V
Input Low Voltage All Inputs	V_{IL}	V_{SS}	0.8	V
Total Supply Current ($C_L = 50\ \text{pF}$ on Ports, no dc Loads, $t_{cyc} = 1\ \mu\text{s}$)				
RUN (measured during self-check, $V_{IL} = 0.2\ \text{V}$, $V_{IH} = V_{DD} - 0.2\ \text{V}$)	I_{DD}	-	4	mA
WAIT (See Note)	I_{DD}	-	1.5	mA
STOP (See Note)	I_{DD}	-	150	μA
I/O Ports Input Leakage PA0-PA7, PB0-PB7, PC0-PC7, PD0-PD7	I_{IL}	-	± 10	μA
Input Current RESET, $\overline{\text{IRQ}}$, TIMER, OSC1	I_{in}	-	± 1	μA
Capacitance Ports	C_{out}	-	12	pF
RESET, $\overline{\text{IRQ}}$, TIMER, OSC1	C_{in}	-	8	pF

NOTE: Test conditions for I_{DD} are as follows:
 All ports programmed as inputs
 $V_{IL} = 0.2\ \text{V}$ (PA0-PA7, PB0-PB7, PC0-PC7, PD0-PD7)

$V_{IH} = V_{DD} - 0.2\ \text{V}$ for RESET, $\overline{\text{IRQ}}$, TIMER
 OSC1 input is a squarewave from 0.2 V to $V_{DD} - 0.2\ \text{V}$
 OSC2 output load = 20 pF (wait I_{DD} is affected linearly by the
 OSC2 capacitance).

HAS
 4302271 0033198 &
 40E D
 HARRIS SEMICONDUCTOR



MICROCONTROLLERS

CDP6805G2, CDP6805G2C

TABLE 1 - CONTROL TIMING

(V_{DD} = 5 Vdc ± 10%, V_{SS} = 0, T_A = T_L to T_H, f_{osc} = 4 MHz)

T-49-19-06

Characteristics	Symbol	Min	Max	Unit
Crystal Oscillator Startup Time (Figure 5)	t _{OXOV}	-	100	ms
Stop Recovery Startup Time (Crystal Oscillator) (Figure 6)	t _{ILCH}	-	100	ms
Timer Pulse Width (Figure 4)	t _{TH} , t _{TL}	0.5	-	t _{cyc}
Reset Pulse Width (Figure 5)	t _{RL}	1.5	-	t _{cyc}
Timer Period (Figure 4)	t _{TLTL}	1	-	t _{cyc}
Interrupt Pulse Width Low (Figure 15)	t _{LIH}	1	-	t _{cyc}
Interrupt Pulse Period (Figure 15)	t _{LIL}	*	-	t _{cyc}
OSC1 Pulse Width	t _{OH} , t _{OL}	100	-	ns
Cycle Time	t _{cyc}	1000	-	ns
Frequency of Operation				
Crystal	f _{osc}	-	4	MHz
External Clock	f _{osc}	DC	-	MHz

*The minimum period t_{LIL} should not be less than the number of t_{cyc} cycles it takes to execute the interrupt service routines plus 20 t_{cyc} cycles.

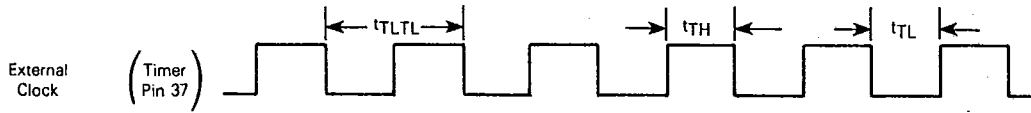
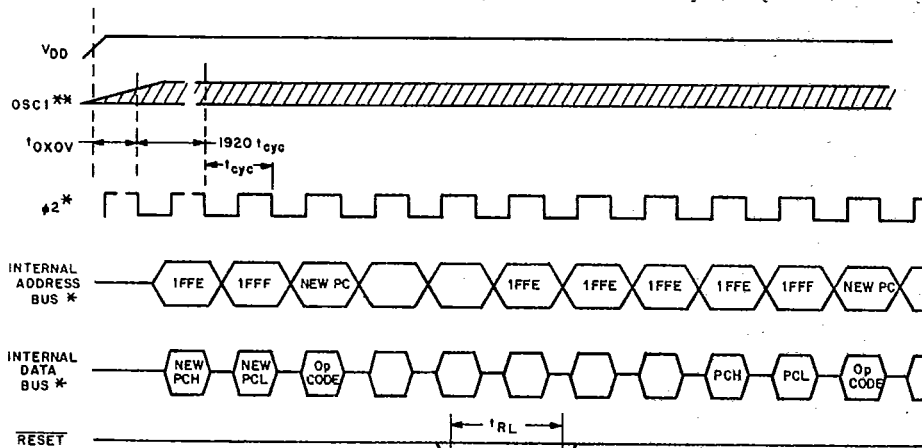


Fig. 4 - Timer relationships.

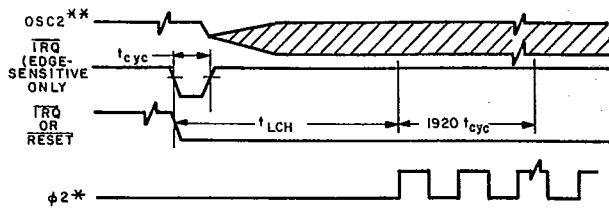


* INTERNAL TIMING SIGNAL AND BUS INFORMATION NOT AVAILABLE EXTERNALLY
 ** OSC1 LINE IS NOT MEANT TO REPRESENT FREQUENCY. IT IS ONLY USED TO REPRESENT TIME.

92CM-38103

Fig. 5 - Power-on RESET and RESET.

HARRIS SEMICONDUCTOR 40E D 430227J 0033199 T HAS



T-49-19-06

* INTERNAL TIMING SIGNALS NOT AVAILABLE EXTERNALLY.
 ** REPRESENTS THE INTERNAL GATING OF THE OSC1 INPUT PIN.

92CS-38101

Fig. 6 - Stop recovery and power-on RESET.

FUNCTIONAL PIN DESCRIPTION

VDD and VSS

Power is supplied to the MCU using these two pins. VDD is power and VSS is ground.

IRQ (MASKABLE INTERRUPT REQUEST)

IRQ is mask option selectable with the choice of interrupt sensitivity being both level- and negative-edge or negative-edge only. The MCU completes the current instruction before it responds to the request. If IRQ is low and the interrupt mask bit (I bit) in the condition code register is clear, the MCU begins an interrupt sequence at the end of the current instruction.

If the mask option is selected to include level sensitivity, then the IRQ input requires an external resistor to VDD for "wire-OR" operation. See the Interrupt section for more detail.

RESET

The RESET input is not required for start-up but can be used to reset the MCU's internal state and provide an orderly software start-up procedure. Refer to the Reset section for a detailed description.

TIMER

The TIMER input may be used as an external clock for the on-chip timer. Refer to Timer section for a detailed description.

NUM - NON-USER MODE

This pin is intended for use in self-check only. User applications should connect this pin to ground through a 10 kΩ resistor.

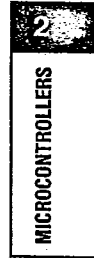
OSC1, OSC2

The CDP6805G2 can be configured to accept either a crystal input or an RC network. Additionally, the internal clocks can be derived by either a divide-by-two or divide-by-four of the external frequency (fOSC). Both of these options are mask selectable.

RC - If the RC oscillator option is selected, then a resistor is connected to the oscillator pins as shown in Figure 7(b). The relationship between R and fOSC is shown in Figure 8.

CRYSTAL - The circuit shown in Figure 7(a) is recommended when using a crystal. The internal oscillator is designed to interface with an AT-cut parallel resonant quartz crystal resonator in the frequency range specified for fOSC in the electrical characteristics table. Using an external CMOS oscillator is suggested when crystals outside the specified ranges are to be used. The crystal and components should be mounted as close as possible to the input pins to minimize output distortion and start-up stabilization time. Crystal frequency limits are also affected by VDD. Refer to Control Timing Characteristics for limits. See Table 1.

EXTERNAL CLOCK - An external clock should be applied to the OSC1 input with the OSC2 input not connected, as shown in Figure 7(c). An external clock may be used with either the RC or crystal oscillator mask option. tXOV or tLCH do not apply when using an external clock input.



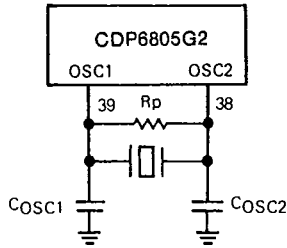
CDP6805G2, CDP6805G2C

HARRIS SEMICONDUCTOR 40E D 4302271 0033201 4 HAS

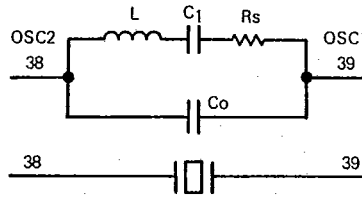
T-49-19-06

	1 MHz	4 MHz	Units
R _S MAX	400	75	Ω
C ₀	5	7	pF
C ₁	0.008	0.012	μ F
C _{OSC1}	15-40	15-30	pF
C _{OSC2}	15-30	15-25	pF
R _P	10	10	M Ω
Q	30	40	—

Crystal Parameters

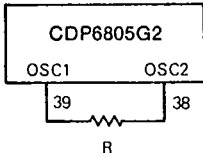


Crystal Oscillator Connections

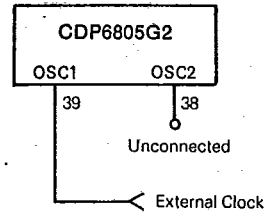


Equivalent Crystal Circuit

(a)



(b) RC Oscillator Connection



(c) External Clock Source Connections

Fig. 7 - Oscillator connections.

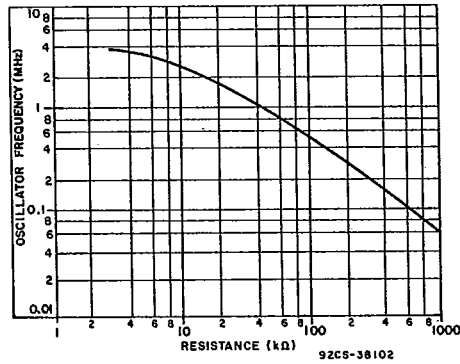


Fig. 8 - Typical frequency vs. resistance for RC oscillator option only.

T-49-19-06

PA0-PA7

These eight I/O lines comprise Port A. The state of any pin is software programmable. Refer to Input/Output Programming section for a detailed description.

PB0-PB7

These eight lines comprise Port B. The state of any pin is software programmable. Refer to Input/Output Programming section for a detailed description.

PC0-PC7

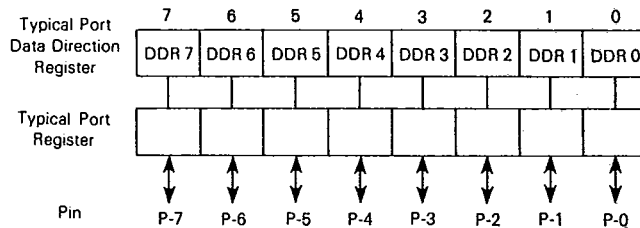
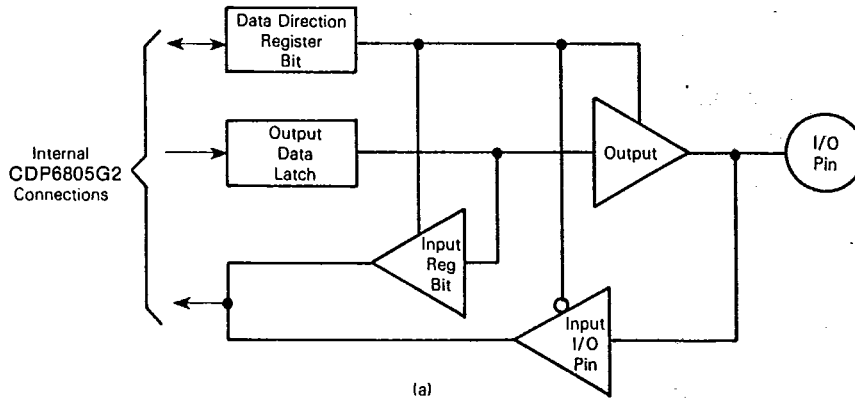
These eight lines comprise Port C. The state of any pin is software programmable. Refer to the Input/Output Programming section for a detailed description.

PD0-PD7

These eight lines comprise Port D. PD4-PD7 also are capable of driving LED's directly. The state of any pin is software programmable. Refer to the Input/Output Programming section for a detailed description.

INPUT/OUTPUT PROGRAMMING

Any port pin may be software programmed as an input or output by the state of the corresponding bit in the port Data Direction Register (DDR). A pin is configured as an output if its corresponding DDR bit is set to a logic '1.' A pin is configured as an input if its corresponding DDR bit is cleared to a logic '0.' At reset, all DDRs are cleared, which configures all port pins as inputs. A port pin configured as an output will output the data in the corresponding bit of its port data latch. Refer to Figure 9 and Table 2.



(b)

Fig. 9 - Typical port I/O circuitry.

TABLE 2 - I/O PIN FUNCTIONS

R/W	DDR	I/O Pin Function
0	0	The I/O pin is in input mode. Data is written into the output data latch.
0	1	Data is written into the output data latch and output to the I/O pin.
1	0	The state of the I/O pin is read.
1	1	The I/O pin is in an output mode. The output data latch is read.

2
 MICROCONTROLLERS

T-49-19-06

SELF-CHECK

The CDP6805G2 self-check is performed using the circuit in Figure 10. Self-check is initiated by tying NUM and TIMER pins to a logic 1 then executing a reset. After reset, five subroutines are called that execute the following tests:

- I/O—Functionally exercise port A, B, C, D
- RAM—Walking bit test
- ROM—Exclusive OR with odd 1's parity result
- Timer—Functionally exercise timer
- Interrupts—Functionally exercise external and timer interrupts

Self-check results are shown in Table 3. The following subroutines are available to user programs and do not require any external hardware.

RAM SELF-CHECK SUBROUTINE

Returns with the Z-bit clear if any error is detected; otherwise the Z-bit is set.

The RAM test must be called with the stack pointer at \$07F. When run, the test checks every RAM cell except for \$07F and \$07E which are assumed to contain the return address.

A and X are modified. All RAM locations except the top 2 are modified. (Enter at location \$1F80.)

ROM CHECKSUM SUBROUTINE

Returns with Z-bit cleared if any error was found, otherwise Z = 1, X = 0 on return, and A is zero if the test passed. RAM locations \$040-\$043 are overwritten. (Enter at location \$1F9B.)

TIMER TEST SUBROUTINE

Return with Z-bit cleared if any error was found; otherwise Z = 1.

This routine runs a simple test on the timer. In order to work correctly as a user subroutine, the internal clock must be the clocking source and interrupts must be disabled. Also, on exit, the clock will be running and the interrupt mask not set so the caller must protect himself from interrupts if necessary.

A and X register contents are lost; this routine counts how many times the clock counts in 128 cycles. The number of counts should be a power of two since the prescaler is a power of two. If not, the timer probably is not counting correctly. The routine also detects if the timer is running at all. (Enter at location \$1FB5.)

MEMORY

The CDP6805G2 has a total address space of 8192 bytes of memory and I/O registers. The address space is shown in Figure 11.

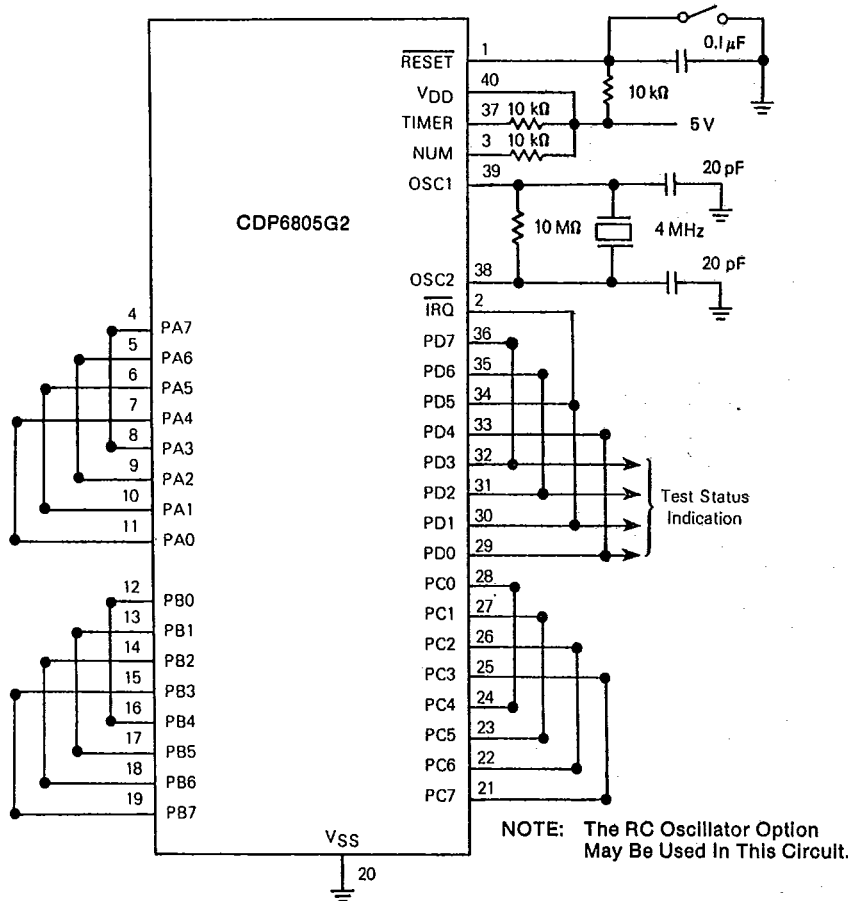
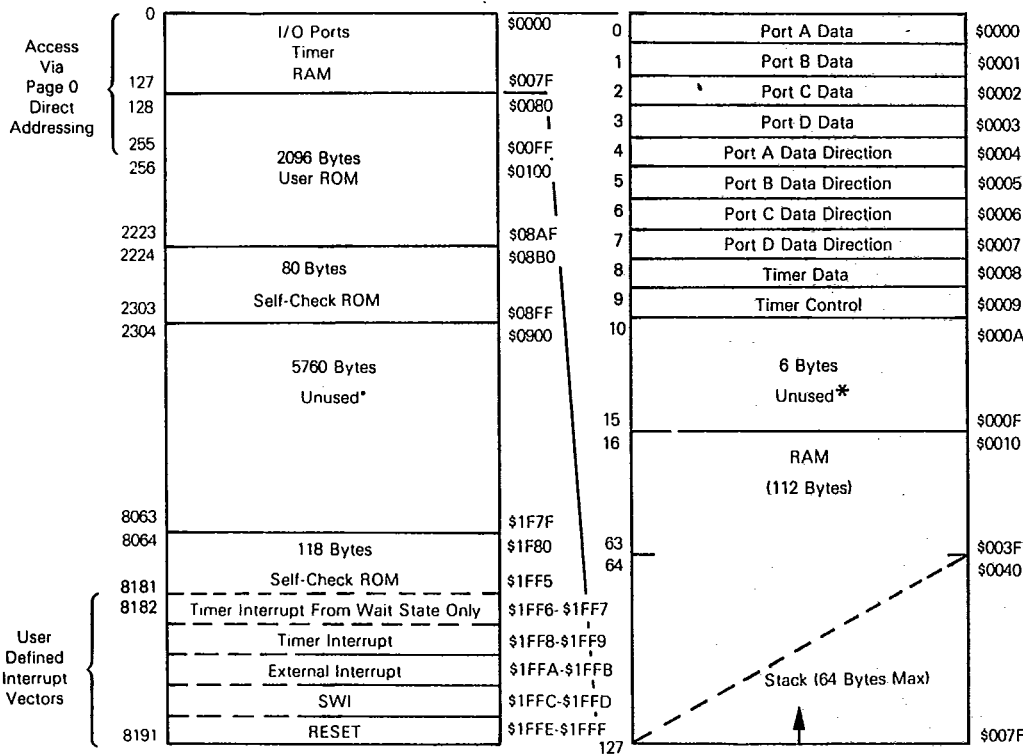


Fig. 10 - Self-check circuit.

T-49-19-06

TABLE 3 — SELF-CHECK RESULTS

PD3	PD2	PD1	PD0	Remarks
1	0	1	0	Bad I/O
1	0	1	1	Bad Timer
1	1	0	0	Bad RAM
1	1	0	1	Bad ROM
1	1	1	0	Bad Interrupt or Request Flag
All Cycling				Good Part
All Others				Bad Part



*Reads of unused locations undefined.

Fig. 11 - Address map.

CDP6805G2, CDP6805G2C

T-49-19-06

The first 128 bytes of memory (first half of page zero) is comprised of the I/O port locations, timer locations, and 112 bytes of RAM. The next 2096 bytes comprise the user ROM. The 10 highest address bytes contain the reset and interrupt vectors.

The stack pointer is used to address data stored on the stack. Data is stored on the stack during interrupts and subroutine calls. At power-up, the stack pointer is set to \$007F and it is decremented as data is pushed on the stack. When data is removed from the stack, the stack pointer is incremented. A maximum of 64 bytes of RAM is available for stack usage. Since most programs use only a small part of the allocated stack locations for interrupts and/or subroutine stacking purposes, the unused bytes are usable for program data storage.

ACCUMULATOR (A)

This accumulator is an 8-bit general purpose register used for arithmetic calculations and data manipulations.

INDEX REGISTER (X)

The X register is an 8-bit register which is used during the indexed modes of addressing. It provides an 8-bit operand which is used to create an effective address. The index register is also used for data manipulations with the read/modify/write type of instructions and as a temporary storage register when not performing addressing operations.

PROGRAM COUNTER (PC)

The program counter is a 13-bit register that contains the address of the next instruction to be executed by the processor.

STACK POINTER (SP)

The stack pointer is a 13-bit register containing the address of the next free location on the stack. When accessing memory, the seven most-significant bits are permanently set to 0000001. These seven bits are appended to the six least-significant register bits to produce an address within the range of \$007F to \$0040. The stack area of RAM is used to store the return address on subroutine calls and the

REGISTERS

The CDP6805G2 contains five registers as shown in the programming model in Figure 12. The interrupt stacking order is shown in Figure 13.

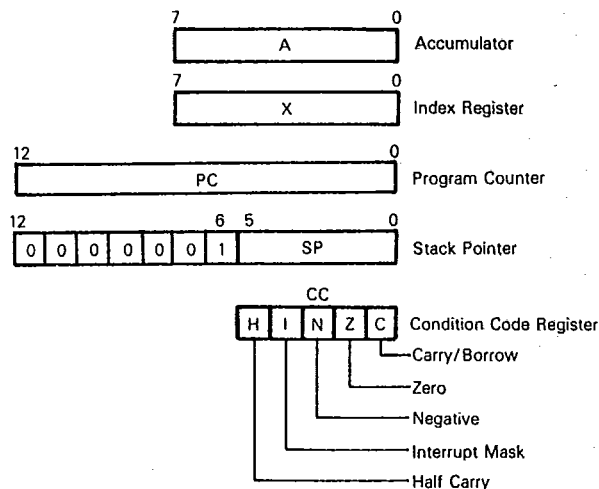
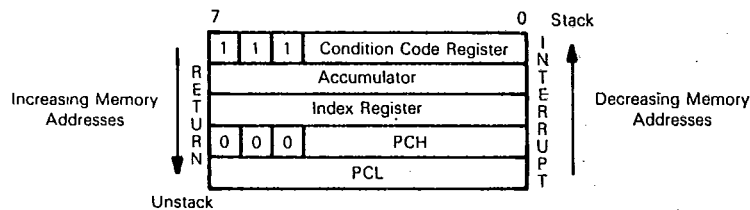


Fig. 12 - Programming Model.



NOTE: Since the Stack Pointer decrements during pushes, the PCL is stacked first, followed by PCH, etc. Pulling from the stack is in the reverse order.

Fig. 13 - Stacking order.

machine state during interrupts. During external or power-on reset, and during a "reset stack pointer" instruction, the stack pointer is set to its upper limit (\$007F). Nested interrupts and/or subroutines may use up to 64 (decimal) locations, beyond which the stack pointer "wraps around" and points to its upper limit thereby losing the previously stored information. A subroutine call occupies two RAM bytes on the stack, while an interrupt uses five bytes.

CONDITION CODE REGISTER (CC)

The condition code register is a 5-bit register which indicates the results of the instruction just executed. These bits can be individually tested by a program and specific action taken as a result of their state. Each bit is explained in the following paragraphs.

HALF CARRY BITS (H) — The H-bit is set to a one when a carry occurs between bits 3 and 4 of the ALU during an ADD or ADC instruction. The H-bit is useful in binary coded decimal subroutines.

INTERRUPT MASK BIT (I) — When the I-bit is set, both the external interrupt and the timer interrupt are disabled. Clearing this bit enables the above interrupts. If an interrupt occurs while the I-bit is set, the interrupt is latched and is processed when the I-bit is next cleared.

NEGATIVE (N) — Indicates that the result of the last arithmetic, logical, or data manipulation is negative (bit 7 in the result is a logical one).

ZERO (Z) — Indicates that the result of the last arithmetic, logical, or data manipulation is zero.

CARRY/BORROW (C) — Indicates that a carry or borrow out of the arithmetic logic unit (ALU) occurred during the last arithmetic operation. This bit is also affected during bit test and branch instructions, shifts, and rotates.

RESETS

The CDP6805G2 has two reset modes: an active low external reset pin (RESET) and a power-on reset function; refer to Figure 5.

RESET

The RESET input pin is used to reset the MCU to provide an orderly software start-up procedure. When using the external reset mode, the RESET pin must stay low for a minimum of one t_{CYC} . The RESET pin is provided with a Schmitt Trigger input to improve its noise immunity.

POWER-ON RESET

The power-on reset occurs when a positive transition is detected on VDD. The power-on reset is used strictly for power turn-on conditions and should not be used to detect any drops in the power supply voltage. There is no provision for a power-down reset. The power-on circuitry provides for a $1920 t_{CYC}$ delay from the time of the first oscillator operation. If the external RESET pin is low at the end of the $1920 t_{CYC}$ time out, the processor remains in the reset condition.

*Any current instruction including SWI.

Either of the two types of reset conditions causes the following to occur:

- Timer control register interrupt request bit TCR7 is cleared to a "0."
- Timer control register interrupt mask bit TCR6 is set to a "1."
- All data direction register bits are cleared to a "0." All ports are defined as inputs.
- Stack pointer is set to \$007F.
- The internal address bus is forced to the reset vector (\$1FFE, \$1FFF).
- Condition code register interrupt mask bit (I) is set to a "1."
- STOP and WAIT latches are reset.
- External interrupt latch is reset.

All other functions, such as other registers (including output ports), the timer, etc., are not cleared by the reset conditions.

INTERRUPTS

The CDP6805G2 may be interrupted by one of three different methods: either one of two maskable hardware interrupts (external input or timer) or a nonmaskable software interrupt (SWI). Systems often require that normal processing be interrupted so that some external event may be serviced.

Interrupts cause the processor registers to be saved on the stack and the interrupt mask (I bit) set to prevent additional interrupts. The RTI instruction causes the register contents to be recovered from the stack followed by a return to normal processing. The stack order is shown in Figure 13.

Unlike RESET, hardware interrupts do not cause the current instruction execution to be halted, but are considered pending until the current instruction execution is complete.

Note

The current instruction is considered to be the one already fetched and being operated on.

When the current instruction is complete, the processor checks all pending hardware interrupts and if unmasked (I bit clear), proceeds with interrupt processing; otherwise, the next instruction is fetched and executed. Note that masked interrupts are latched for later interrupt service.

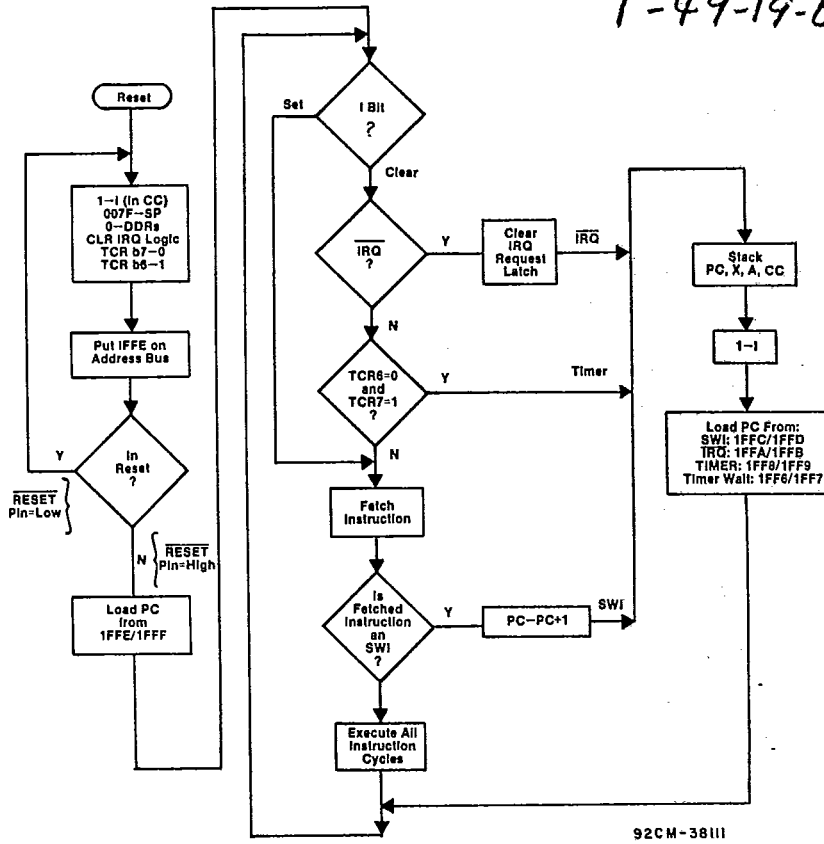
If both an external interrupt and a timer interrupt are pending at the end of an instruction execution, the external interrupt is serviced first. The SWI is executed the same as any other instruction and as such takes precedence over hardware interrupts only if the I bit is set (hardware interrupts masked). Refer to Figure 14 for the interrupt and instruction processing sequence.

Table 4 shows the execution priority of the RESET, IRQ and timer interrupts, and instructions (including the software interrupts, SWI). Two conditions are shown, one with the I bit set and the other with I bit clear; however, in either case RESET has the highest priority of execution. If the I bit is set as per Table 4(a), the second highest priority is assigned to any instruction including SWI. This is illustrated in Figure 14 which shows that the IRQ or Timer interrupts are not executed when the I bit is set. If the I bit is cleared as per Table 4(b), the priorities change in that the next instruction (SWI or other instruction) is not fetched until after the IRQ and Timer interrupts have been recognized (and serviced). Also, when the I bit is clear, if both IRQ and Timer interrupts are pending, the IRQ interrupt is always serviced before the Timer interrupt.

HARRIS SEMICONDUCTOR SECTOR 40E D 430227J 0033206 3 HAS

MICROCONTROLLERS

T-49-19-06



92CM-38111

Fig. 14 - RESET and INTERRUPT processing flowchart.

TABLE 4 - INTERRUPT/INSTRUCTION EXECUTION PRIORITY AND VECTOR ADDRESS

(a) I Bit Set

Interrupt/Instruction	Priority	Vector Address
RESET	1	\$1FFE-\$1FFF
SWI (or Other Instruction)	2	\$1FFC-\$1FFD

NOTE: $\overline{\text{IRQ}}$ and Timer Interrupts are not executed when the I bit is set; therefore, they are not shown.

(b) I Bit Clear

Interrupt/Instruction	Priority	Vector Address
RESET	1	\$1FFE-\$1FFF
$\overline{\text{IRQ}}$	2	\$1FFA-\$1FFB
Timer	3	\$1FF8-\$1FF9
		\$1FF6-\$1FF7*
SWI (or other Instruction)	4	\$1FFC-\$1FFD

* The Timer vector address from the WAIT mode is \$1FF6-\$1FF7.

HARRIS SEMICONDUCTOR 40E D 4302271 0033207 5 HAS

Note

Processing is such that at the end of the current instruction execution, the I bit is tested and if set the next instruction (including SWI) is fetched. If the I bit is cleared, the hardware interrupt latches are tested, and if no hardware interrupt is pending, the program falls through and the next instruction is fetched.

TIMER INTERRUPT

If the timer interrupt mask bit (TCR6) is cleared, then each time the timer decrements to zero (transitions from \$01 to \$00) an interrupt request is generated. The actual processor interrupt is generated only if the interrupt mask bit in the condition code register is also cleared. When the interrupt is recognized, the current state of the machine is pushed onto the stack and the interrupt mask bit in the condition code register is set. This masks further interrupts until the present one is serviced. The processor now vectors to the timer interrupt service routine. The address for this service routine is specified by the contents of \$1FF8 and \$1FF9 unless the processor is in a WAIT mode in which case the contents of \$1FF6 and \$1FF7 specify the timer service routine address. Software must be used to clear the timer interrupt request bit (TCR7). At the end of the timer interrupt service routine, the software normally executes an RTI instruction which restores the machine state and starts executing the interrupted program.

EXTERNAL INTERRUPT

If the interrupt mask bit of the condition code register is cleared and the external interrupt pin (\overline{IRQ}) is low,

then the external interrupt occurs. The action of the external interrupt is identical to the timer interrupt with the exception that the service routine address is specified by the contents of \$1FFA and \$1FFB. Either a level- and edge-sensitive trigger (or edge-sensitive only) are available as mask options. Figure 15 shows both a functional diagram and timing for the interrupt line. The timing diagram shows two different treatments of the interrupt line (\overline{IRQ}) to the processor. The first method is single pulses on the interrupt line spaced far enough apart to be serviced. The minimum time between pulses is a function of the length of the interrupt service routine. Once a pulse occurs, the next pulse should not occur until the MPU software has exited the routine (an RTI occurs). This time (t_{LIL}) is obtained by adding 20 instruction cycles (t_{cyc}) to the total number of cycles it takes to complete the service routine including the RTI instruction; refer to Figure 15. The second configuration shows many interrupt lines "wire-ORed" to form the interrupts at the processor. Thus, if after servicing an interrupt the \overline{IRQ} remains low, then the next interrupt is recognized.

SOFTWARE INTERRUPT (SWI)

The software interrupt is an executable instruction. The action of the SWI instruction is similar to the hardware interrupts. The SWI is executed regardless of the state of the interrupt mask in the condition code register. The service routine address is specified by the contents of memory locations \$1FFC and \$1FFD. See Figure 14 for interrupt and instruction processing flowchart.

HARRIS SEMICONDUCTOR
 MICROCONTROLLERS
 40E D
 7 802E00 1220E4
 2
 4302271 003208

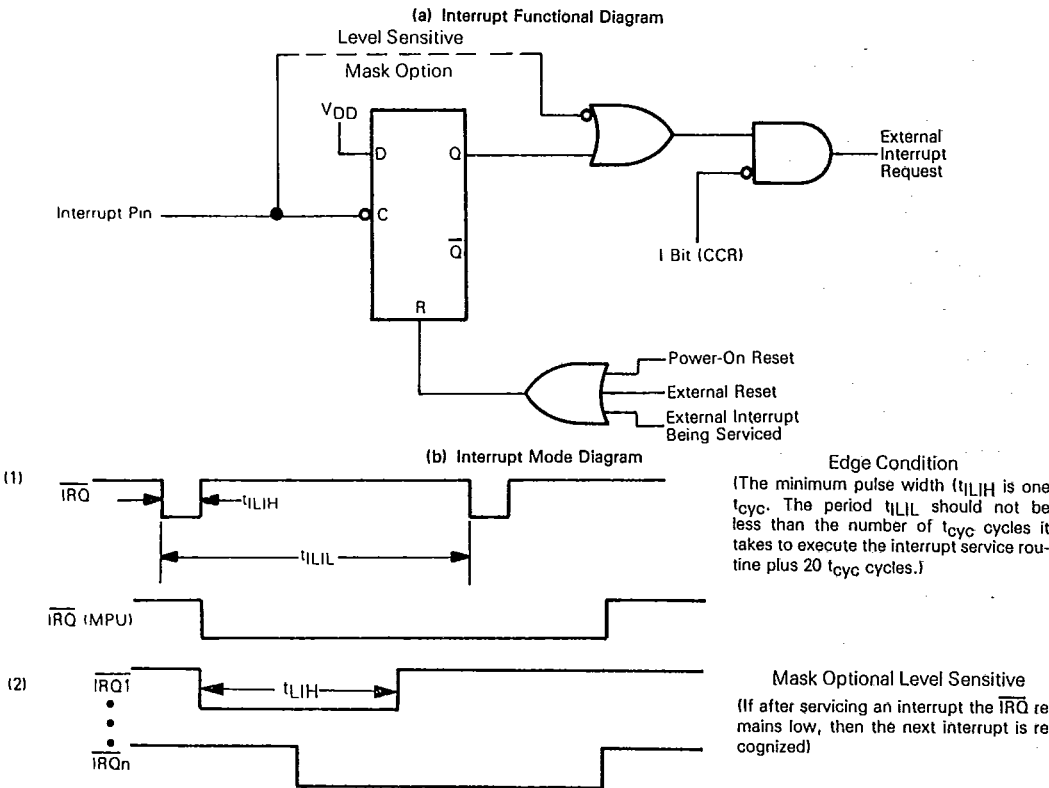


Fig. 15 - External Interrupt.

SHAH 6 602EE00 12220E4 40E D HARRIS SEMICONDUCTOR

STOP

The STOP instruction places the CDP6805G2 in its lowest power consumption mode. In the STOP function the internal oscillator is turned off, causing all internal processing and the timer to be halted; refer to Figure 16.

During the STOP mode, timer control register (TCR) bits 6 and 7 are altered to remove any pending timer interrupt requests and to disable any further timer interrupts. The timer prescaler is cleared. External interrupts are enabled in the condition code register. All other registers and memory remain unaltered. All I/O lines remain unchanged.

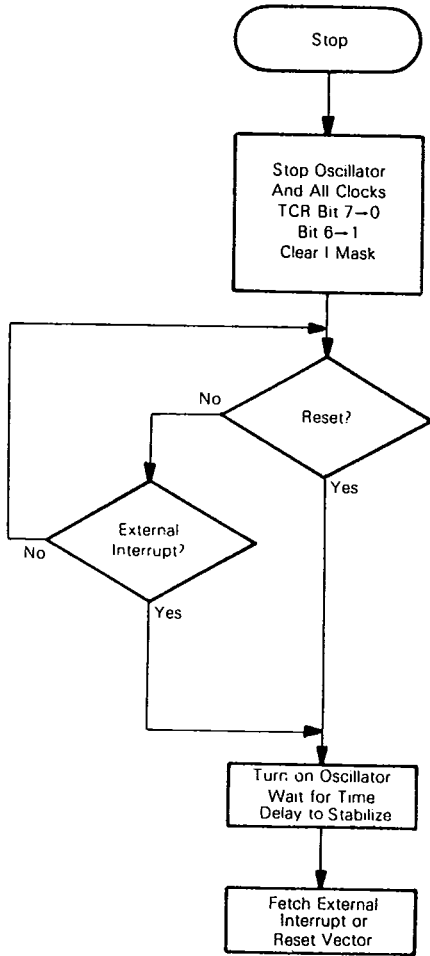


Fig. 16 - Stop function flowchart.

WAIT

The WAIT instruction places the CDP6805G2 in a low power consumption mode, but the WAIT mode consumes somewhat more power than the STOP mode. In the WAIT mode, the internal clock is disabled from all internal circuitry

except the timer circuit; refer to Figure 17. Thus, all internal processing is halted; however, the timer continues to count normally.

During the Wait mode, the I-bit in the condition code register is cleared to enable interrupts. All other registers, memory, and I/O lines remain in their last state. The timer may be enabled to allow a periodic exit from the Wait mode. If an external and a timer interrupt occur at the same time, the external interrupt is serviced first; then, if the timer interrupt request is not cleared in the external interrupt routine, the normal timer interrupt (not the timer Wait interrupt) is serviced since the MCU is no longer in the WAIT mode.

TIMER

The MCU timer contains a 8-bit software programmable counter with 7-bit software selectable prescaler. The counter may be present under program control and decrements towards zero. When the counter decrements to zero, the timer interrupt request bit, i.e., bit 7 of the timer control register (TRC), is set. Then, if the timer interrupt is not masked, i.e., bit 6 of the TCR and the I-bit in the condition code register are both cleared, the processor receives an interrupt. After completion of the current instruction, the processor proceeds to store the appropriate registers on the stack, and then fetches the timer vector address from locations \$1FF8 and \$1FF9 (or \$1FF6 and \$1FF7 if in the WAIT mode) in order to begin servicing.

The counter continues to count after it reaches zero, allowing the software to determine the number of internal or external input clocks since the timer interrupt request bit was set. The counter may be read at any time by the processor without disturbing the count. The contents of the counter becomes stable prior to the read portion of a cycle and does not change during the read. The timer interrupt request bit remains set until cleared by the software. If a read occurs before the timer interrupt is serviced, the interrupt is lost. TCR7 may also be used as a scanned status bit in a non-interrupt mode of operation (TCR6 = 1).

The prescaler is a 7-bit divider which is used to extend the maximum length of the timer. Bit 0, bit 1, and bit 2 of the TCR are programmed to choose the appropriate prescaler output which is used as the counter input. The processor cannot write into or read from the prescaler; however, its contents are cleared to all "0's" by the write operation into TCR when bit 3 of the written data equals 1. This allows for truncation-free counting.

The timer input can be configured for three different operating modes, plus a disable mode depending on the value written to the TCR4, TCR5 control bits. Refer to the Timer Control Register section.

TIMER INPUT MODE 1

If TCR4 and TCR5 are both programmed to a "0," the input to the timer is from an internal clock and the TIMER input pin is disabled. The internal clock mode can be used for periodic interrupt generation, as well as a reference in frequency and event measurement. The internal clock is the instruction cycle clock. During a WAIT instruction, the internal clock to the timer continues to run at its normal rate.

T-49-19-06

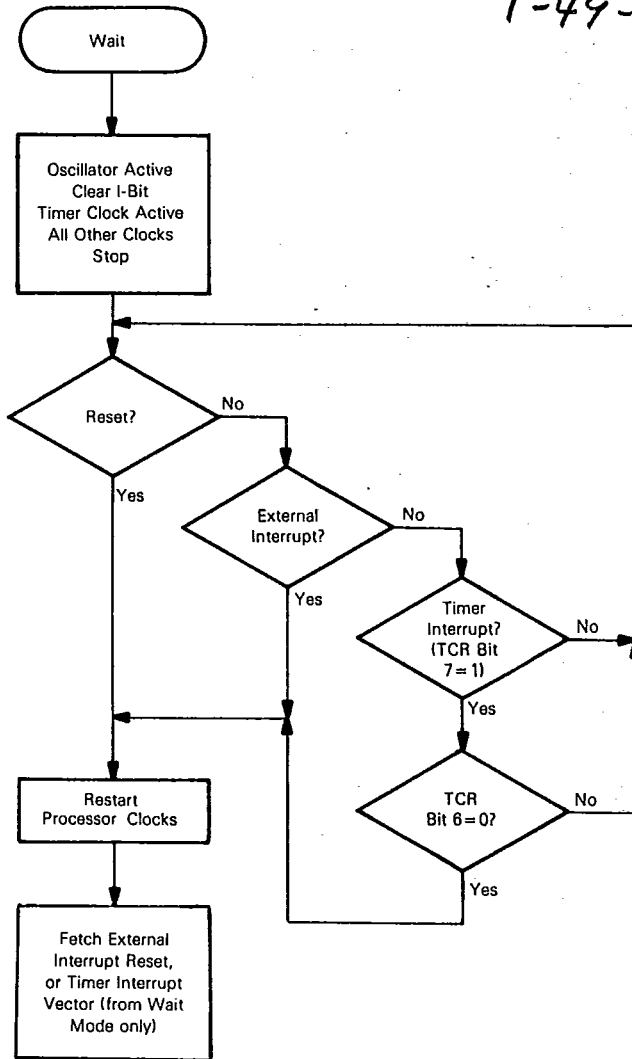


Fig. 17 - Wait function flowchart.

TIMER INPUT MODE 2

With TCR4=1 and TCR5=0, the internal clock and the TIMER input pin are ANDed together to form the timer input signal. This mode can be used to measure external pulse widths. The external pulse simply turns on the internal clock for the duration of the pulse. The resolution of the count in this mode is ± 1 clock and, therefore, accuracy improves with longer input pulse widths.

TIMER INPUT MODE 3

If TCR4=0 and TCR5=1, then all inputs to the Timer are disabled.

TIMER INPUT MODE 4

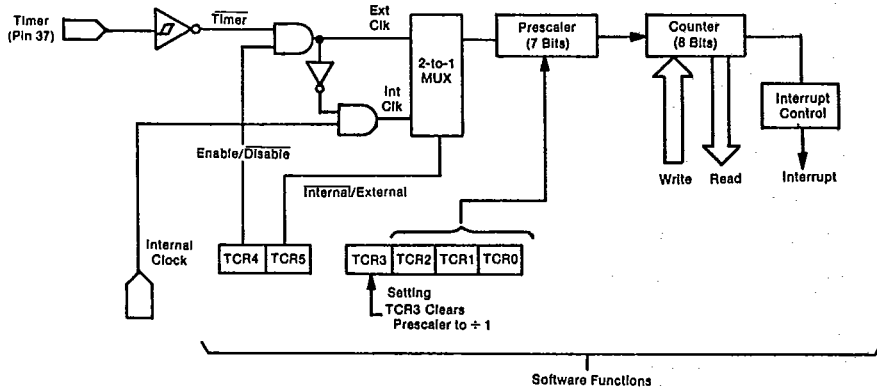
If TCR4=1 and TCR5=1, the internal clock input to the Timer is disabled and the TIMER input pin becomes the input to the Timer. The timer can, in this mode, be used to count external events as well as external frequencies for generating periodic interrupts. The counter is clocked on the falling edge of the external signal.

Figure 18 shows a block diagram of the Timer subsystem. Power-on Reset and the STOP instruction cause the counter to be set to \$F0.

HARRIS SEMICONDUCTOR 40E D 430227J 0033210 5 HAS



T-49-19-06



- NOTES:
1. Prescaler and 8-bit counter are clocked falling edge of the internal clock (AS) or external input.
 2. Counter is written to during Data Strobe (DS) and counts down continuously.

92CM-38034R1

Fig. 18 - Simplified timer control logic block diagram.

Timer Control Register (TCR)

7	6	5	4	3	2	1	0
TCR7	TCR6	TCR5	TCR4	TCR3	TCR2	TCR1	TCR0

All bits in this register except bit 3 are Read/Write bits.

TCR7 - Timer interrupt request bit: bit used to indicate the timer interrupt when it is logic "1".

- 1 - Set whenever the counter decrements to zero, or under program control.
- 0 - Cleared on external reset, power-on reset, STOP instruction, or program control.

TCR6 - Timer interrupt mask bit: when this bit is a logic "1" it inhibits the timer interrupt to the processor.

- 1 - Set on external reset, power-on reset, STOP instruction, or program control.
- 0 - Cleared under program control.

TCR5 - External or internal bit: selects the input clock source to be either the external timer pin or the internal clock. (Unaffected by RESET.)

- 1 - Select external clock source.
- 0 - Select internal clock source (AS).

TCR4 - External enable bit: control bit used to enable the external timer pin. (Unaffected by RESET.)

- 1 - Enable external timer pin.
- 0 - Disable external timer pin.

TCR5 TCR4

0	0	Internal clock to Timer
0	1	AND of internal clock and TIMER pin to Timer
1	0	Inputs to Timer disabled
1	1	TIMER pin to Timer

Refer to Figure 18 for Logic Representation.

TCR3 - Timer Prescaler Reset bit: writing a "1" to this bit resets the prescaler to zero. A read of this location always indicates a "0". (Unaffected by RESET.)

TCR2, TCR1, TCR0 - Prescaler select bits: decoded to select one of eight taps on the prescaler. (Unaffected by RESET.)

Prescaler

TCR2	TCR1	TCR0	Result
0	0	0	+1
0	0	1	+2
0	1	0	+4
0	1	1	+8
1	0	0	+16
1	0	1	+32
1	1	0	+64
1	1	1	+128

INSTRUCTION SET

The MCU has a set of 61 basic instructions. They can be divided into five different types: register/memory, read/modify/write, branch, bit manipulation, and control. The following paragraphs briefly explain each type. All the instructions within a given type are presented in individual tables.

REGISTER/MEMORY INSTRUCTIONS

Most of these instructions use two operands. One operand is either the accumulator or the index register. The other operand is obtained from memory using one of the addressing modes. The operand for the jump unconditional (JMP) and jump to subroutine (JSR) instructions is the program counter. Refer to Table 5.

READ/MODIFY/WRITE INSTRUCTIONS

These instructions read a memory location or a register, modify or test its contents, and write the modified value back to memory or to the register. The test for negative or zero (TST) instruction is an exception to the read/modify/write sequence since it does not modify the value. Refer to Table 6.

BRANCH INSTRUCTIONS

Most branch instructions test the state of the Condition Code Register and if certain criteria are met, a branch is executed. This adds an offset between +128 and -127 to the current program counter. Refer to Table 7.

BIT MANIPULATION INSTRUCTIONS

The MPU is capable of setting or clearing any bit which resides in the first 256 bytes of the memory space, where all port registers, port DDR's, timer, timer control, and on-chip RAM reside. An additional feature allows the software to test and branch on the state of any bit within these 256 locations. The bit set, bit clear and bit test and branch functions are all implemented with a single instruction. For the test and branch instructions the value of the bit tested is also placed in the carry bit of the Condition Code Register. Refer to Table 8 for instruction cycle timing.

CONTROL INSTRUCTIONS

These instructions are register reference instructions and are used to control processor operation during program execution. Refer to Table 9 for instruction cycle timing.

ALPHABETICAL LISTING

The complete instruction set is given in alphabetical order in Table 11.

OPCODE MAP

Table 10 is an opcode map for the instructions used on the MCU.

ADDRESSING MODES

The MCU uses ten different addressing modes to give the programmer an opportunity to optimize the code to all situations. The various indexed addressing modes make it possible to locate data tables, code conversion tables and scaling tables anywhere in the memory space. Short indexed accesses are single byte instructions, while the longest instructions (three bytes) permit tables throughout memory. Short

and long absolute addressing is also included. One and two byte direct addressing instructions access all data bytes in most applications. Extended addressing permits jump instructions to reach all memory. Table 11 shows the addressing modes for each instruction, with the effects each instruction has on the Condition Code Register. An opcode map is shown in Table 10.

The term "Effective Address" (EA) is used in describing the various addressing modes, which is defined as the byte address to or from which the argument for an instruction is fetched or stored. The ten addressing modes of the processor are described below. Parentheses are used to indicate "contents of," an arrow indicates "is replaced by" and a colon indicates concatenation of two bytes.

T-49-19-06

INHERENT

In inherent instructions all the information necessary to execute the instruction is contained in the opcode. Operations specifying only the index register or accumulator, and no other arguments, are included in this mode.

IMMEDIATE

In immediate addressing, the operand is contained in the byte immediately following the opcode. Immediate addressing is used to access constants which do not change during program execution (e.g., a constant used to initialize a loop counter).

$$EA = PC + 1; PC - PC + 2$$

DIRECT

In the direct addressing mode, the effective address of the argument is contained in a single byte following the opcode byte. Direct addressing allows the user to directly address the lowest 256 bytes in memory with a single two byte instruction. This includes all on-chip RAM and I/O registers and 128 bytes of on-chip ROM. Direct addressing is efficient in both memory and time.

$$EA = (PC + 1); PC - PC + 2$$

$$\text{Address Bus High} - 0; \text{Address Bus Low} - (PC + 1)$$

EXTENDED

In the extended addressing mode, the effective address of the argument is contained in the two bytes following the opcode. Instructions with extended addressing modes are capable of referencing arguments anywhere in memory with a single three byte instruction.

$$EA = (PC + 1); (PC + 2); PC - PC + 3$$

$$\text{Address Bus High} - (PC + 1); \text{Address Bus Low} - (PC + 2)$$

INDEXED, NO-OFFSET

In the indexed, no offset addressing mode, the effective address of the argument is contained in the 8-bit index register. Thus, this addressing mode can access the first 256 memory locations. These instructions are only one byte long and therefore are more efficient. This mode is used to move a pointer through a table or to address a frequency referenced RAM or I/O location.

$$EA = X; PC - PC + 1$$

$$\text{Address Bus High} - 0; \text{Address Bus Low} - X$$



T-49-19-06

INDEXED, 8-BIT OFFSET

Here the EA is obtained by adding the contents of the byte following the opcode to that of the index register. The operand is therefore located anywhere within the lowest 511 memory locations. For example, this mode of addressing is useful for selecting the m-th element in an n element table. All instructions are two bytes. The contents of the index register (X) is not changed. The contents of (PC + 1) is an unsigned 8-bit integer. One byte offset indexing permits look-up tables to be easily accessed in either RAM or ROM.

$$EA = X + (PC + 1); PC - PC + 2$$

Address Bus High—K; Address Bus Low—X + (PC + 1)
Where: K = The carry from the addition of X + (PC + 1)

INDEXED, 16-BIT OFFSET

In the indexed, 16-bit offset addressing mode the effective address is the sum of the contents of the unsigned 8-bit index register and the two unsigned bytes following the opcode. This addressing mode can be used in a manner similar to indexed 8-bit offset, except that this three byte instruction allows tables to be anywhere in memory (e.g., jump tables in ROM).

$$EA = X + [(PC + 1); (PC + 2)]; PC - PC + 3$$

Address Bus High—(PC + 1) + K;

Address Bus Low—X + (PC + 2)

Where: K = The carry from the addition of X + (PC + 2)

RELATIVE

Relative addressing is only used in branch instructions. In relative addressing the contents of the 8-bit signed byte following the opcode (the offset) is

added to the PC if and only if the branch condition is true. Otherwise, control proceeds to the next instruction. The span of relative addressing is limited to the range of -126 to +129 bytes from the branch instruction opcode location.

BIT SET/CLEAR

Direct addressing and bit addressing are combined in instructions which set and clear individual memory and I/O bits. In the bit set and clear instructions, the byte is specified as a direct address in the location following the opcode. The first 256 addressable locations are thus accessed. The bit to be modified within that byte is specified with three bits of the opcode. The bit set and clear instructions occupy two bytes, one for the opcode (including the bit number) and the second to address the byte which contains the bit of interest.

$$EA = (PC + 1); PC - PC + 2$$

Address Bus High—0; Address Bus Low—(PC + 1)

BIT TEST AND BRANCH

Bit test and branch is a combination of direct addressing, bit addressing and relative addressing. The bit address and condition (set or clear) to be tested is part of the opcode. The address of the byte to be tested is in the single byte immediately following the opcode byte (EA1). The signed relative 8-bit offset is in the third byte (EA2) and is added to the PC if the specified bit is set or clear in the specified memory location. This single three byte instruction allows the program to branch based on the condition of any bit in the first 256 locations of memory.

$$EA1 = (PC + 1)$$

Address Bus High—0; Address Bus Low—(PC + 1)

EA2 = PC + 3 + (PC + 2); PC - EA2 if branch taken;
otherwise PC - PC + 3

T-49-19-06

TABLE 5 - REGISTER/MEMORY INSTRUCTIONS

Function	Addressing Modes																	
	Immediate			Direct			Extended			Indexed (No Offset)			Indexed (8-Bit Offset)			Indexed (16-Bit Offset)		
	Mnemonic	Op Code	# Bytes	Op Code	# Bytes	# Cycles	Op Code	# Bytes	# Cycles	Op Code	# Bytes	# Cycles	Op Code	# Bytes	# Cycles	Op Code	# Bytes	# Cycles
Load A from Memory	LDA	A6	2	B6	2	3	C6	3	F6	1	3	E6	2	4	D6	3	5	5
Load X from Memory	LDX	AE	2	BE	2	3	CE	3	FE	1	3	EE	2	4	DE	3	5	5
Store A in Memory	STA	-	-	B7	2	4	C7	3	F7	1	4	E7	2	5	D7	3	6	6
Store X in Memory	STX	-	-	BF	2	4	CF	3	FF	1	4	EF	2	5	DF	3	6	6
Add Memory to A	ADD	AB	2	BB	2	3	CB	3	FB	1	3	EB	2	4	DB	3	5	5
Add Memory and Carry to A	ADC	A9	2	B9	2	3	C9	3	F9	1	3	E9	2	4	D9	3	5	5
Subtract Memory	SUB	A0	2	B0	2	3	C0	3	F0	1	3	E0	2	4	D0	3	5	5
Subtract Memory from A with Borrow	SBC	A2	2	B2	2	3	C2	3	F2	1	3	E2	2	4	D2	3	5	5
AND Memory to A	AND	A4	2	B4	2	3	C4	3	F4	1	3	E4	2	4	D4	3	5	5
OR Memory with A	ORA	AA	2	BA	2	3	CA	3	FA	1	3	EA	2	4	DA	3	5	5
Exclusive OR Memory with A	EOR	A8	2	B8	2	3	C8	3	FB	1	3	EB	2	4	DB	3	5	5
Arithmetic Compare A with Memory	CMP	A1	2	B1	2	3	C1	3	F1	1	3	E1	2	4	D1	3	5	5
Arithmetic Compare X with Memory	CPX	A3	2	B3	2	3	C3	3	F3	1	3	E3	2	4	D3	3	5	5
Bit Test Memory with A (Logical-Compare)	BIT	A5	2	B5	2	3	C5	3	F5	1	3	E5	2	4	D5	3	5	5
Jump Unconditional	JMP	-	-	BC	2	2	CC	3	FC	1	2	EC	2	3	DC	3	4	4
Jump to Subroutine	JSR	-	-	BD	2	5	CD	3	FD	1	5	ED	2	6	DD	3	7	7

TABLE 6 - READ/MODIFY/WRITE INSTRUCTIONS

Function	Addressing Modes														
	Inherent (A)			Inherent (X)			Direct			Indexed (No Offset)			Indexed (8-Bit Offset)		
	Mnemonic	Op Code	# Bytes	Op Code	# Bytes	# Cycles	Op Code	# Bytes	# Cycles	Op Code	# Bytes	# Cycles	Op Code	# Bytes	# Cycles
Increment	INC	4C	1	5C	1	3	3C	2	5	7C	1	5	6C	2	6
Decrement	DEC	4A	1	5A	1	3	3A	2	5	7A	1	5	6A	2	6
Clear	CLR	4F	1	5F	1	3	3F	2	5	7F	1	5	6F	2	6
Complement	COM	43	1	53	1	3	33	2	5	73	1	5	63	2	6
Negate (2's Complement)	NEG	40	1	50	1	3	30	2	5	70	1	5	60	2	6
Rotate Left Thru Carry	ROL	49	1	59	1	3	39	2	5	79	1	5	69	2	6
Rotate Right Thru Carry	ROR	46	1	56	1	3	36	2	5	76	1	5	66	2	6
Logical Shift Left	LSL	48	1	58	1	3	38	2	5	78	1	5	68	2	6
Logical Shift Right	LSR	44	1	54	1	3	34	2	5	74	1	5	64	2	6
Arithmetic Shift Right	ASR	47	1	57	1	3	37	2	5	77	1	5	67	2	6
Test for Negative or Zero	TST	4D	1	5D	1	3	3D	2	4	7D	1	4	6D	2	5



T-49-19-06

TABLE 7 - BRANCH INSTRUCTIONS

Function	Mnemonic	Relative Addressing Mode		
		Op Code	# Bytes	# Cycles
Branch Always	BRA	20	2	3
Branch Never	BRN	21	2	3
Branch IFF Higher	BHI	22	2	3
Branch IFF Lower or Same	BLS	23	2	3
Branch IFF Carry Clear	BCC	24	2	3
(Branch IFF Higher or Same)	(BHS)	24	2	3
Branch IFF Carry Set	BCS	25	2	3
(Branch IFF Lower)	(BLO)	25	2	3
Branch IFF Not Equal	BNE	26	2	3
Branch IFF Equal	BEQ	27	2	3
Branch IFF Half Carry Clear	BHCC	28	2	3
Branch IFF Half Carry Set	BHCS	29	2	3
Branch IFF Plus	BPL	2A	2	3
Branch IFF Minus	BMI	2B	2	3
Branch IFF Interrupt Mask Bit is Clear	BMC	2C	2	3
Branch IFF Interrupt Mask Bit is Set	BMS	2D	2	3
Branch IFF Interrupt Line is Low	BIL	2E	2	3
Branch IFF Interrupt Line is High	BIH	2F	2	3
Branch to Subroutine	BSR	AD	2	6

TABLE 8 - BIT MANIPULATION INSTRUCTIONS

Function	Mnemonic	Addressing Modes					
		Bit Set/Clear			Bit Test and Branch		
		Op Code	# Bytes	# Cycles	Op Code	# Bytes	# Cycles
Branch IFF Bit n is Set	BRSET n (n=0...7)	—	—	—	2*n	3	5
Branch IFF Bit n is Clear	BRCLR n (n=0...7)	—	—	—	01+2*n	3	5
Set Bit n	BSET n (n=0...7)	10+2*n	2	5	—	—	—
Clear Bit n	BCLR n (n=0...7)	11+2*n	2	5	—	—	—

TABLE 9 - CONTROL INSTRUCTIONS

Function	Mnemonic	Inherent		
		Op Code	# Bytes	# Cycles
Transfer A to X	TAX	97	1	2
Transfer X to A	TXA	9F	1	2
Set Carry Bit	SEC	99	1	2
Clear Carry Bit	CLC	98	1	2
Set Interrupt Mask Bit	SEI	9B	1	2
Clear Interrupt Mask Bit	CLI	9A	1	2
Software Interrupt	SWI	83	1	10
Return from Subroutine	RTS	81	1	6
Return from Interrupt	RTI	80	1	9
Reset Stack Pointer	RSP	9C	1	2
No-Operation	NOP	9D	1	2
Stop	STOP	8E	1	2
Wait	WAIT	8F	1	2

T-49-19-06

TABLE 11 - INSTRUCTION SET

Mnemonic	Addressing Modes										Condition Codes				
	Inherent	Immediate	Direct	Extended	Relative	Indexed (No Offset)	Indexed (8 Bits)	Indexed (16 Bits)	Bit Set/Clear	Bit Test & Branch	H	I	N	Z	C
ADC		X	X	X		X	X	X			A	●	A	A	A
ADD		X	X	X		X	X	X			A	●	A	A	A
AND		X	X	X		X	X	X			●	●	A	A	●
ASL	X		X			X	X				●	●	A	A	A
ASR	X		X			X	X				●	●	A	A	A
BCC					X						●	●	●	●	●
BCLR					X				X		●	●	●	●	●
BCS					X						●	●	●	●	●
BEQ					X						●	●	●	●	●
BHCC					X						●	●	●	●	●
BHCS					X						●	●	●	●	●
BHI					X						●	●	●	●	●
BHS					X						●	●	●	●	●
BIH					X						●	●	●	●	●
BIL					X						●	●	●	●	●
BIT		X	X	X		X	X	X			●	●	A	A	●
BLO					X						●	●	●	●	●
BLS					X						●	●	●	●	●
BMC					X						●	●	●	●	●
BMI					X						●	●	●	●	●
BMS					X						●	●	●	●	●
BNE					X						●	●	●	●	●
BPL					X						●	●	●	●	●
BRA					X						●	●	●	●	●
BRN					X						●	●	●	●	●
BRCLR										X	●	●	●	●	A
BRSET										X	●	●	●	●	A
BSET									X		●	●	●	●	A
BSS					X						●	●	●	●	●
CLC	X										●	●	●	●	●
CLI	X										●	●	●	●	●
CLR	X		X			X	X				●	●	●	●	●
CMP		X	X	X		X	X	X			●	●	A	A	A
COM	X		X			X	X				●	●	A	A	1
CPX		X	X	X		X	X	X			●	●	A	A	A
DEC	X		X			X	X				●	●	A	A	A
EOR		X	X	X		X	X	X			●	●	A	A	●
INC	X		X			X	X				●	●	A	A	●
JMP			X	X		X	X	X			●	●	●	●	●
JSR			X	X		X	X	X			●	●	●	●	●
LDA		X	X	X		X	X	X			●	●	A	A	●
LDX		X	X	X		X	X	X			●	●	A	A	●
LSL	X		X			X	X				●	●	A	A	A
LSR	X		X			X	X				●	●	A	A	A
NEG	X		X			X	X				●	●	A	A	A
NOP	X										●	●	●	●	●
ORA		X	X	X		X	X	X			●	●	A	A	●
ROL	X		X			X	X				●	●	A	A	A
ROR	X		X			X	X				●	●	A	A	A
RSP	X										●	●	A	A	A
RTI	X										●	●	●	●	●
RTS	X										●	●	●	●	●
SBC		X	X	X		X	X	X			●	●	A	A	A
SEC	X										●	●	●	●	1
SEI	X										●	●	●	●	●
STA			X	X		X	X	X			●	●	A	A	●
STOP	X										●	●	●	●	●
STX			X	X		X	X	X			●	●	A	A	●
SUB		X	X	X		X	X	X			●	●	A	A	A
SWI	X										●	●	1	●	●
TAX	X										●	●	●	●	●
TST	X		X			X	X				●	●	A	A	●
TXA	X										●	●	●	●	●
WAIT	X										●	●	●	●	●

Condition Code Symbols

- H Half Carry (From Bit 3)
- I Interrupt Mask
- N Negative (Sign Bit)
- Z Zero
- C Carry/Borrow
- A Test and Set if True. Cleared Otherwise.
- Not Affected
- ? Load CC Register From Stack
- 0 Cleared
- 1 Set

HARRIS SEMICONDUCTOR 40E D 430227J 0033217 8 HAS