

**PLEASE CHECK WWW.MOLEX.COM FOR LATEST PART INFORMATION**

**Part Number:** [0471511041](#)  
**Status:** **Active**  
**Overview:** high definition multimedia interface hdmi  
**Description:** 0.50mm (.020") Pitch HDMI\* Receptacle, Right Angle, Front Solder Tab Length 1.80mm (.071"), Contact 0.25µm (10µ") Gold (Au) Plated, with Back Cover, without Mylar and Upper Flange, Tape and Reel Package, BlackHousing, Lead Free

**Documents:**

[3D Model](#) [Product Specification PS-47152-001 \(PDF\)](#)  
[Drawing \(PDF\)](#) [RoHS Certificate of Compliance \(PDF\)](#)

**General**

|                |   |
|----------------|---|
| Product Family | I/O Connectors  |
| Series         | <a href="#">47151</a>                                     |
| Application    | Wire-to-Board   |
| Component Type | Receptacle  |
| Overview       | <a href="#">high definition multimedia interface hdmi</a> |
| Product Name   | HDMI  |
| Type           | N/A   |

**Physical**

|                                |                       |
|--------------------------------|-----------------------|
| Boot Color                     | N/A                   |
| Circuits (Loaded)              | 19                    |
| Color - Resin                  | Black                 |
| Gender                         | Male                  |
| Keying to Mating Part          | Yes                   |
| Lock to Mating Part            | Yes                   |
| Material - Metal               | Copper Alloy          |
| Material - Plating Mating      | Gold                  |
| Material - Plating Termination | Tin-Bismuth           |
| Number of Rows                 | 2                     |
| Orientation                    | Right Angle           |
| PCB Locator                    | No                    |
| PCB Retention                  | Yes                   |
| Packaging Type                 | Embossed Tape on Reel |
| Panel Mount                    | Without Flange        |
| Pitch - Mating Interface (in)  | 0.020 In              |
| Pitch - Mating Interface (mm)  | 0.50 mm               |
| Pitch - Term. Interface (in)   | 0.020 In              |
| Pitch - Term. Interface (mm)   | 0.50 mm               |
| Plating min: Mating (µin)      | 10                    |
| Plating min: Mating (µm)       | 0.25                  |
| Plating min: Termination (µin) | 40                    |
| Plating min: Termination (µm)  | 1                     |
| Polarized to Mating Part       | Yes                   |
| Polarized to PCB               | Yes                   |
| Ports                          | 1                     |
| Temperature Range - Operating  | -20°C to +85°C        |
| Termination Interface: Style   | Surface Mount         |
| Waterproof / Dustproof         | No                    |
| Wire Size AWG                  | N/A                   |

**Electrical**

|                               |        |
|-------------------------------|--------|
| Current - Maximum per Contact | .5A    |
| Shielded                      | Yes    |
| Voltage - Maximum             | 40V DC |



image - Reference only

Series

**EU RoHS**

**ELV and RoHS  
Compliant**  
**REACH SVHC  
Contains SVHC: No**  
**Halogen-Free  
Status  
Not Reviewed**

**China RoHS**



**Need more information on product  
environmental compliance?**

Email [productcompliance@molex.com](mailto:productcompliance@molex.com)  
For a multiple part number RoHS Certificate of Compliance, [click here](#)

Please visit the [Contact Us](#) section for any non-product compliance questions.

**Search Parts in this Series**

[47151Series](#)

**Mates With**

[88768](#) HDMI cable assembly, [88764](#) HDMI Adapter, [88767](#) HDMIAdapter

## Material Info

### Reference - Drawing Numbers

|                         |              |
|-------------------------|--------------|
| Packaging Specification | PK-47151-001 |
| Product Specification   | PS-47152-001 |
| Sales Drawing           | SD-47151-001 |

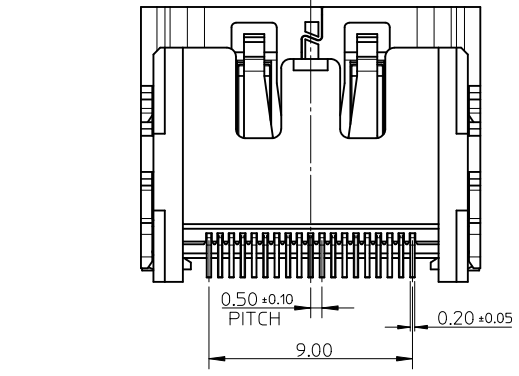
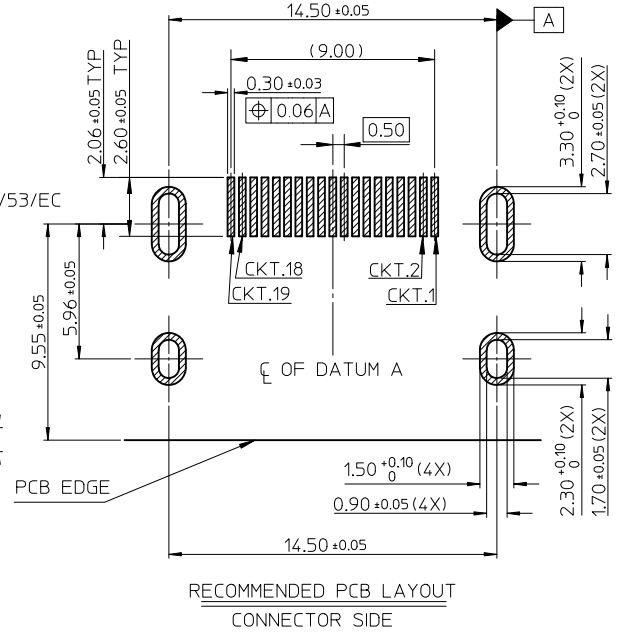
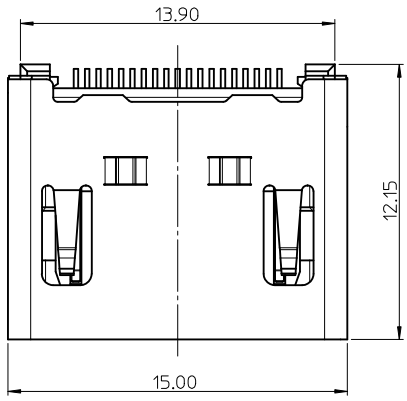
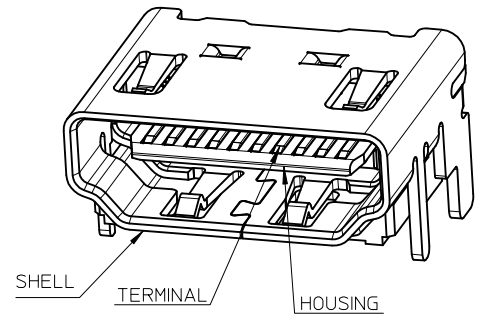
\* High Definition Multimedia Interface and HDMI are trademarks of HDMI Licensing, LLC.

This document was generated on 05/19/2010

**PLEASE CHECK [WWW.MOLEX.COM](http://WWW.MOLEX.COM) FOR LATEST PART INFORMATION**

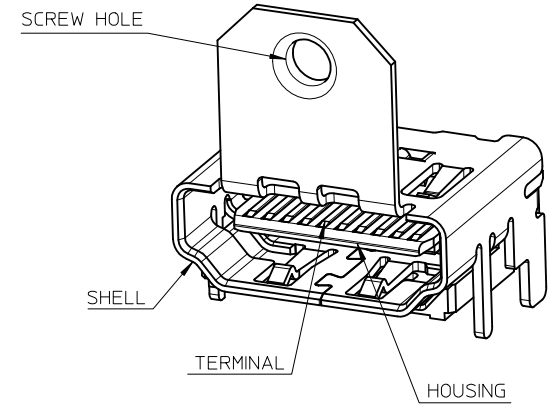
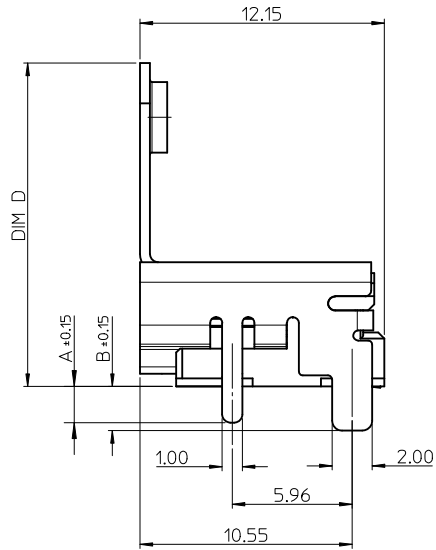
NOTES:

1. MATERIAL:  
HOUSING: THERMOPLASTIC . COLOR: SEE TABLE.  
SHELL: COPPER ALLOY.  
TERMINAL: COPPER ALLOY.
2. PLATING:  
TERMINAL:  
CONTACT AREA: (1) 0.76 MICROMETER MIN. GOLD PLATING.  
(2) 0.25 MICROMETER MIN. GOLD PLATING.  
(3) GOLD FLASH.  
(4) 0.375 MICROMETER MIN. GOLD PLATING.  
SOLDER AREA: 1 MICROMETER MIN. TIN-BISMUTH ALLOY PLATED.  
UNDER PLATE: 1.27 MICROMETER MIN. NICKEL.  
SHELL: (a) 1.27 MICROMETER MIN. SOLDERABLE NICKEL PLATE OVERALL.  
(b) GOLD FLASH PLATING OVER 1.27 MICROMETER MIN. NICKEL PLATING OVERALL.
3. COPLANARITY IS 0.1MM MAX.
4. PRODUCT SPECIFICATION REFER TO PS-47152-001.
5. PACKAGE SPECIFICATION FOR WITHOUT FLANGE REFER TO PK-47151-001.
6. PRODUCT COMPLIANT TO RoHS DEIRECTIVE 2002/95/EC AND ELV DIRECTIVE 2000/53/EC



RECOMMENDED PANEL CUT OUT DIMENSION

|  |   |   |  |   |   |   |                        |
|--|---|---|--|---|---|---|------------------------|
| <b>ADD PART NUMBER</b><br>EC NO: SH2010-0164<br>DRWN:XOZHANG 2009/10/20<br>CHKD:GLLI 2009/10/21<br>APPR:XJISONG 2009/11/30 | <b>QUALITY SYMBOLS</b><br>F=0<br>F=0<br>F=0 | <b>GENERAL TOLERANCES (UNLESS SPECIFIED)</b>  |  | <b>DIMENSION STYLE</b><br>MM ONLY                       | <b>SCALE</b><br>5:1                                   | <b>DESIGN UNITS</b><br>METRIC   | THIRD ANGLE PROJECTION |
|  |   | 4 PLACES ± --- ± ---<br>3 PLACES ± --- ± ---<br>2 PLACES ± 0.25 ± ---<br>1 PLACE ± 0.25 ± ---                                 | mm INCH  | DRAWN BY RZHANG<br>CHECKED BY GRMA<br>APPROVED BY YTYAP | DATE 2004/07/20<br>DATE 2004/07/20<br>DATE 2004/07/20 | TITLE<br>1.0 HDMI RIGHT ANGLE<br>HEADER ASSEMBLY(19 PIN)<br>LEAD FREE |                        |
|  |   | ANGULAR ± 3 °   | DRAFT WHERE APPLICABLE<br>MUST REMAIN<br>WITHIN DIMENSIONS | MATERIAL NO.<br>SEE SHEET 6                             | DOCUMENT NO.<br>SD-47151-001                          | SHEET NO.<br>1 OF 8   |                        |
|  |   | THIS DRAWING CONTAINS INFORMATION THAT IS PROPRIETARY TO MOLEX INCORPORATED AND SHOULD NOT BE USED WITHOUT WRITTEN PERMISSION |  |   |   |   |                        |

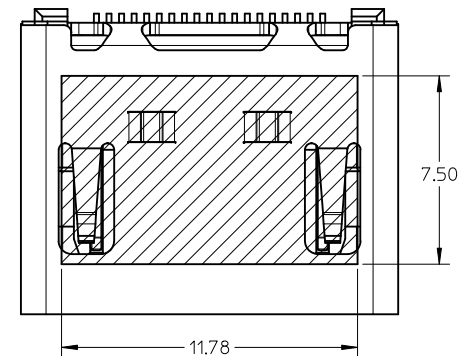
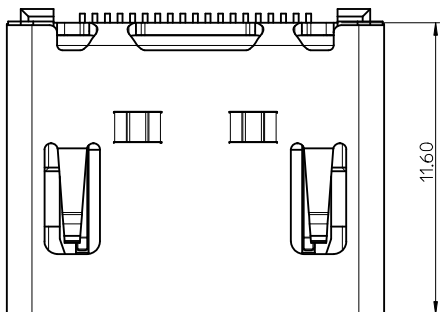


NOTES:

1. THE UNSPECIFIED DIMENSIONS REFER TO SHEET 1.
2. PACKAGE SPECIFICATION FOR WITH FLANGE REFER TO PK-47151-002.

|   |  |   |   |                      |                                   |  |                                     |                               |                        |  |
|---|--|---|---|----------------------|-----------------------------------|--|-------------------------------------|-------------------------------|------------------------|--|
| SEE SHEET 1<br>EC NO: SH2010-0164<br>DRWN: XQZHANG<br>CHKD: GLLI<br>APPR: XJ SONG | 2009/10/20<br>2009/10/21<br>2009/11/30 | QUALITY SYMBOLS<br>$\nabla_A = 0$<br>$\nabla_C = 0$<br>$\nabla_P = 0$ | GENERAL TOLERANCES (UNLESS SPECIFIED)   |                      | DIMENSION STYLE<br><b>MM ONLY</b> |  | SCALE<br><b>5:1</b>                 | DESIGN UNITS<br><b>METRIC</b> | THIRD ANGLE PROJECTION |  |
|   |  |   | mm      INCH  | DRAWN BY<br>RZHANG   | DATE<br>2004/07/20                | TITLE<br><b>1.0 HDMI RIGHT ANGLE HEADER ASSEMBLY(19 PIN) LEAD FREE</b> |                                     |                               |                        |  |
|   |  |   | 4 PLACES ± --- ± ---<br>3 PLACES ± --- ± ---<br>2 PLACES ± 0.25 ± ---<br>1 PLACE ± 0.25 ± ---                                 | CHECKED BY<br>GRMA   | DATE<br>2004/07/20                | <b>MOLEX INCORPORATED</b>  |                                     |                               |                        |  |
|   |  |   | ANGULAR ± 3 °   | APPROVED BY<br>YTYAP | DATE<br>2004/07/20                | MATERIAL NO.<br><b>SEE SHEET 6</b>                                     | DOCUMENT NO.<br><b>SD-47151-001</b> | SHEET NO.<br><b>2 OF 8</b>    |                        |  |
| DRAFT WHERE APPLICABLE MUST REMAIN WITHIN DIMENSIONS                              |  |   | THIS DRAWING CONTAINS INFORMATION THAT IS PROPRIETARY TO MOLEX INCORPORATED AND SHOULD NOT BE USED WITHOUT WRITTEN PERMISSION |                      |                                   |  |                                     |                               |                        |  |

WITH BACK COVER



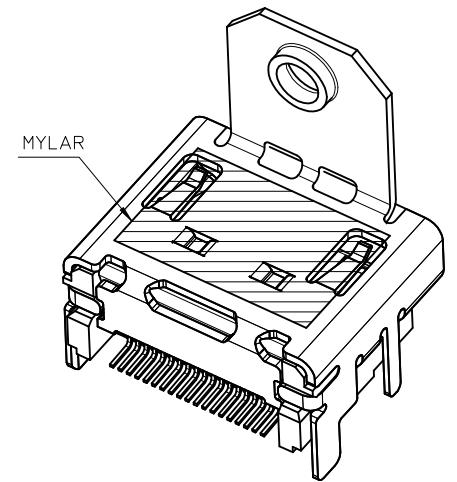
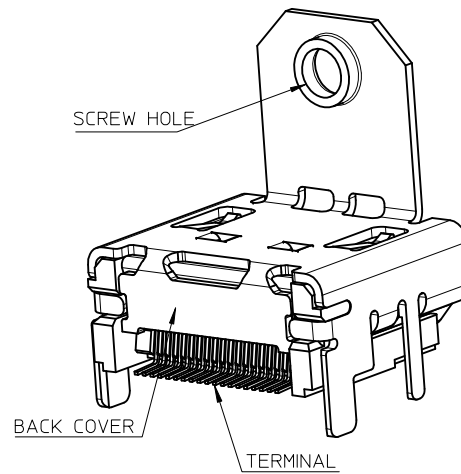
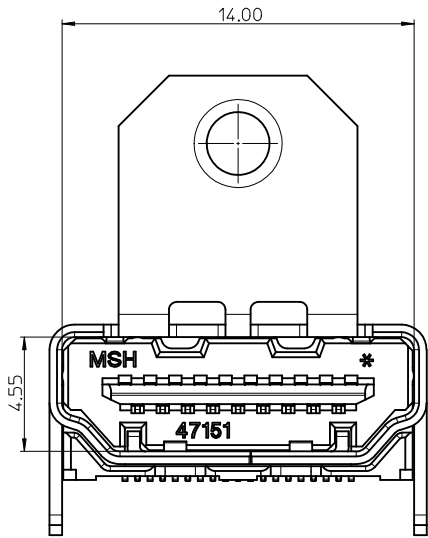
NOTES:

1. THE UNSPECIFIED DIMENSIONS REFER TO 47151-0001.
2. PACKAGE SPECIFICATION FOR WITHOUT FLANGE REFER TO PK-47151-001.

THIS IS ONLY FOR 47151-1061/1071/1081

|  |  |                    |   |  |   |       |              |  |  |   |
|--|--|--------------------|---|--|---|-------|--------------|--|--|---|
| SEE SHEET 1<br>EC NO: SH2010-0164<br>DRWN: XQZHANG<br>CHKD: GLLI<br>APPR: XJSONG | 2009/10/20<br>2009/10/21<br>2009/11/30 | DESCRIPTION<br>REV | QUALITY SYMBOLS   | GENERAL TOLERANCES (UNLESS SPECIFIED)  | DIMENSION STYLE                               | SCALE | DESIGN UNITS | THIRD ANGLE PROJECTION   |  |   |
|  |  |                    | $\nabla_A = 0$<br>$\nabla_B = 0$<br>$\nabla_C = 0$  | mm    INCH<br>4 PLACES ± --- ± ---<br>3 PLACES ± --- ± ---<br>2 PLACES ± 0.25 ± ---<br>1 PLACE ± 0.25 ± ---<br>ANGULAR ± 3 ° | MM ONLY                                       | 5:1   | METRIC       | DRAWN BY: RZHANG<br>CHECKED BY: GRMA<br>APPROVED BY: YTYAP<br>MATERIAL NO. | DATE: 2004/07/20<br>DATE: 2004/07/20<br>DATE: 2004/07/20 | TITLE: 1.0 HDMI RIGHT ANGLE HEADER ASSEMBLY(19 PIN) LEAD FREE<br>MOLEX INCORPORATED |
|  |  |                    | DRAFT WHERE APPLICABLE MUST REMAIN WITHIN DIMENSIONS  | SEE SHEET 7  | DOCUMENT NO. SD-47151-001<br>SHEET NO. 3 OF 8 |       |              |  |  |   |
|  |  |                    | THIS DRAWING CONTAINS INFORMATION THAT IS PROPRIETARY TO MOLEX INCORPORATED AND SHOULD NOT BE USED WITHOUT WRITTEN PERMISSION |  |   |       |              |  |  |   |

WITH BACK COVER



THIS IS ONLY FOR  
47151-1025/1075/1085/6022/6032/1026/2062

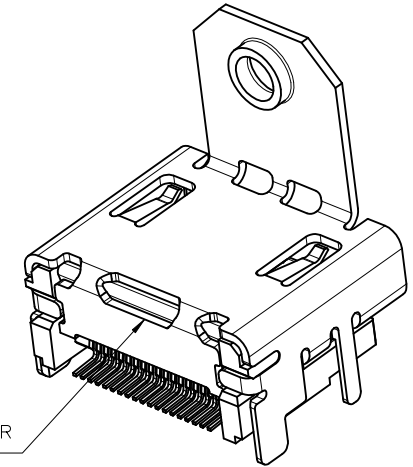
NOTES:

1. THE UNSPECIFIED DIMENSIONS REFER TO 47151-0002.
2. PACKAGE SPECIFICATION FOR WITH FLANGE:  
 OPTION 1: 47151-1026/2062/6032 REFER TO PK-47151-005.  
 OPTION 2: 47151-1102 REFER TO PK-47151-003.  
 OPTION 3: OTHER PART NUMBER REFER TO PK-47151-002.

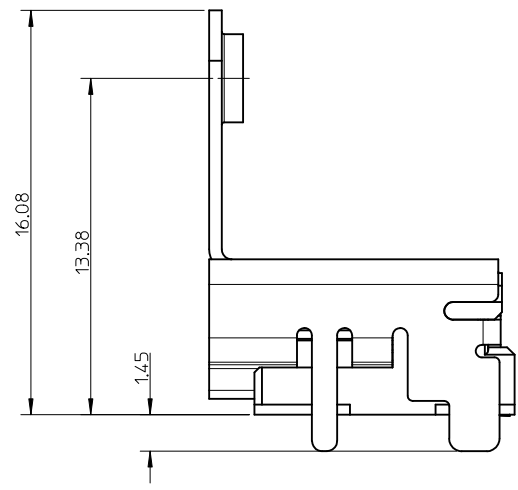
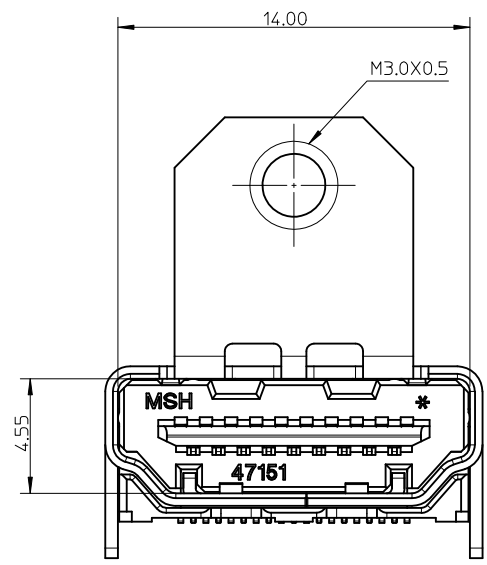
|  |   |   |                      |                            |                      |                    |                        |                        |   |                     |
|--|---|---|----------------------|----------------------------|----------------------|--------------------|------------------------|------------------------|---|---------------------|
| SEE SHEET 1<br>EC NO: SH2010-0164<br>DRW: XQZHANG<br>CHK: GLLI<br>APPR: XJSONG<br>2009/10/20<br>2009/10/21<br>2009/11/30 | QUALITY SYMBOLS<br>$\nabla_A = 0$<br>$\nabla_C = 0$<br>$\nabla_B = 0$ | GENERAL TOLERANCES (UNLESS SPECIFIED)   |                      | DIMENSION STYLE<br>MM ONLY |                      | SCALE<br>5:1       | DESIGN UNITS<br>METRIC | THIRD ANGLE PROJECTION |   |                     |
|  |   | 4 PLACES ± --- ± ---  | 3 PLACES ± --- ± --- | 2 PLACES ± 0.25 ± ---      | 1 PLACE ± 0.25 ± --- | ANGULAR ± 3 °      | DRAWN BY<br>RZHANG     | DATE<br>2004/07/20     | TITLE<br>1.0 HDMI RIGHT ANGLE HEADER ASSEMBLY(19 PIN) LEAD FREE |                     |
|  |   | DRAFT WHERE APPLICABLE MUST REMAIN WITHIN DIMENSIONS  |                      | SEE SHEET 8                | MATERIAL NO.         | MOLEX INCORPORATED | CHECKED BY<br>GRMA     | DATE<br>2004/07/20     | DOCUMENT NO.<br>SD-47151-001                                    | SHEET NO.<br>4 OF 8 |
|  |   | THIS DRAWING CONTAINS INFORMATION THAT IS PROPRIETARY TO MOLEX INCORPORATED AND SHOULD NOT BE USED WITHOUT WRITTEN PERMISSION |                      |                            |                      |                    |                        |                        |   |                     |



WITHOUT TOP HOLE



BACK COVER



- NOTES:
1. THE UNSPECIFIED DIMENSIONS REFER TO 47151-1102.
  2. PACKAGE SPECIFICATION FOR WITH FLANGE REFER TO PK-47151-002.

|  |  |   |   |                    |                 |            |  |                        |  |  |
|--|--|---|---|--------------------|-----------------|------------|--|------------------------|--|--|
| SEE SHEET 1<br>IEC NO: SH2010-0164<br>DRWN: XZHZHANG<br>CH'KD: GLLI<br>APPR: XJ.SONG | 2009/10/20<br>2009/10/21<br>2009/11/30 | DESCRIPTION<br>QUALITY SYMBOLS<br>△ <sub>F</sub> =0<br>△ <sub>F</sub> =0<br>△ <sub>F</sub> =0 | GENERAL TOLERANCES (UNLESS SPECIFIED)   |                    | DIMENSION STYLE | SCALE      | DESIGN UNITS   | THIRD ANGLE PROJECTION |  |  |
|  |  |   |   |                    | MM ONLY         | 5:1        | METRIC   |                        |  |  |
|  |  |   | mm  | INCH               | DRAWN BY        | DATE       | TITLE  |                        |  |  |
|  |  |   | 4 PLACES ± ---  | ± ---              | RZHANG          | 2004/07/20 | 1.0 HDMI RIGHT ANGLE HEADER ASSEMBLY(19 PIN) LEAD FREE |                        |  |  |
| 3 PLACES ± ---   | ± ---                                  | CHECKED BY  | DATE  | MOLEX INCORPORATED |                 |            |  |                        |  |  |
| 2 PLACES ± 0.25  | ± ---                                  | GRMA  | 2004/07/20  |                    |                 |            |  |                        |  |  |
| 1 PLACE ± 0.25   | ± ---                                  | APPROVED BY   | DATE  | DOCUMENT NO.       |                 |            |  |                        |  |  |
| ANGULAR ± 3 °  |  | YTYAP   | 2004/07/20  |                    |                 |            |  |                        |  |  |
| DRAFT WHERE APPLICABLE MUST REMAIN WITHIN DIMENSIONS                                 |  | MATERIAL NO.  | SEE SHEET 7   |                    | SD-47151-001    |            | SHEET NO.  |                        |  |  |
|  |  | SIZE  | THIS DRAWING CONTAINS INFORMATION THAT IS PROPRIETARY TO MOLEX INCORPORATED AND SHOULD NOT BE USED WITHOUT WRITTEN PERMISSION |                    |                 |            |  |                        |  |  |

| ASSEMBLY P/N | DIMENSION |       |          |       |       | FEATURE |            |           |       | HOUSING COLOUR | GOLD PLATING IN CONTACT AREA | SHELL PLATING  | REMARK      |
|--------------|-----------|-------|----------|-------|-------|---------|------------|-----------|-------|----------------|------------------------------|----------------|-------------|
|              | DIM A     | DIM B | DIM C    | DIM D | DIM E | FLANGE  | BACK COVER | TOP HOLES | MYLAR |                |                              |                |             |
| 47151-0001   | 1.80      | 2.20  | /        | /     | /     | W/O     | W/O        | WITH      | W/O   | BLACK          | SEE NOTE 2 (1)               | SEE NOTE 2 (a) | FOR SHEET 1 |
| 47151-0041   |           |       |          |       |       |         |            |           |       |                |                              |                |             |
| 47151-0051   |           |       |          |       |       |         |            |           |       |                |                              |                |             |
| 47151-0011   |           |       |          |       |       |         |            |           |       |                |                              |                |             |
| 47151-0071   |           |       |          |       |       |         |            |           |       |                |                              |                |             |
| 47151-0061   |           |       |          |       |       |         |            |           |       |                |                              |                |             |
| 47151-0021   |           |       |          |       |       |         |            |           |       |                |                              |                |             |
| 47151-0031   |           |       |          |       |       |         |            |           |       |                |                              |                |             |
| 47151-0101   | 1.45      | 1.45  | /        | /     | /     | W/O     | W/O        | WITH      | W/O   | BLACK          | SEE NOTE 2 (1)               | SEE NOTE 2 (a) | FOR SHEET 1 |
| 47151-0141   |           |       |          |       |       |         |            |           |       |                |                              |                |             |
| 47151-0151   |           |       |          |       |       |         |            |           |       |                |                              |                |             |
| 47151-0111   |           |       |          |       |       |         |            |           |       |                |                              |                |             |
| 47151-0181   |           |       |          |       |       |         |            |           |       |                |                              |                |             |
| 47151-0161   |           |       |          |       |       |         |            |           |       |                |                              |                |             |
| 47151-0121   |           |       |          |       |       |         |            |           |       |                |                              |                |             |
| 47151-0131   |           |       |          |       |       |         |            |           |       |                |                              |                |             |
| 47151-0002   | 1.80      | 2.20  | M3.0x0.5 | 16.08 | 13.38 | WITH    | W/O        | WITH      | W/O   | BLACK          | SEE NOTE 2 (1)               | SEE NOTE 2 (a) | FOR SHEET 2 |
| 47151-0042   |           |       |          |       |       |         |            |           |       |                |                              |                |             |
| 47151-0062   |           |       |          |       |       |         |            |           |       |                |                              |                |             |
| 47151-0012   |           |       |          |       |       |         |            |           |       |                |                              |                |             |
| 47151-0052   |           |       |          |       |       |         |            |           |       |                |                              |                |             |
| 47151-0072   |           |       |          |       |       |         |            |           |       |                |                              |                |             |
| 47151-0022   |           |       |          |       |       |         |            |           |       |                |                              |                |             |
| 47151-0032   |           |       |          |       |       |         |            |           |       |                |                              |                |             |
| 47151-0102   | 1.45      | 1.45  | M3.0x0.5 | 16.08 | 13.38 | WITH    | W/O        | WITH      | W/O   | BLACK          | SEE NOTE 2 (1)               | SEE NOTE 2 (a) | FOR SHEET 2 |
| 47151-0142   |           |       |          |       |       |         |            |           |       |                |                              |                |             |
| 47151-0162   |           |       |          |       |       |         |            |           |       |                |                              |                |             |
| 47151-0112   |           |       |          |       |       |         |            |           |       |                |                              |                |             |
| 47151-0152   |           |       |          |       |       |         |            |           |       |                |                              |                |             |
| 47151-0172   |           |       |          |       |       |         |            |           |       |                |                              |                |             |
| 47151-0122   |           |       |          |       |       |         |            |           |       |                |                              |                |             |
| 47151-0132   |           |       |          |       |       |         |            |           |       |                |                              |                |             |
| 47151-6002   | 1.80      | 2.20  | M3.0x0.5 | 14.25 | 11.28 | WITH    | W/O        | WITH      | W/O   | BLACK          | SEE NOTE 2 (1)               | SEE NOTE 2 (a) |             |
| 47151-6062   |           |       |          |       |       |         |            |           |       |                |                              |                |             |
| 47151-6082   |           |       |          |       |       |         |            |           |       |                |                              |                |             |
| 47151-6102   | 1.45      | 1.45  | M3.0x0.5 | 14.25 | 11.28 | WITH    | W/O        | WITH      | W/O   | BLACK          | SEE NOTE 2 (1)               | SEE NOTE 2 (a) |             |
| 47151-6172   |           |       |          |       |       |         |            |           |       |                |                              |                |             |
| 47151-6162   |           |       |          |       |       |         |            |           |       |                |                              |                |             |

|   |  |  |                                       |  |   |                    |  |                               |                        |  |
|---|--|--|---------------------------------------|--|---|--------------------|--|-------------------------------|------------------------|--|
| <b>SEE SHEET 1</b><br>EC NO: SH2010-0164<br>DRWN: XZHZHANG<br>CHKD: GLLI<br>APPR: XJ.SONG | 2009/10/20<br>2009/10/21<br>2009/11/30 | QUALITY SYMBOLS<br>$F_A=0$<br>$F_C=0$<br>$F_P=0$ | GENERAL TOLERANCES (UNLESS SPECIFIED) |  | DIMENSION STYLE<br><b>MM ONLY</b>   |                    | SCALE<br><b>1:1</b>  | DESIGN UNITS<br><b>METRIC</b> | THIRD ANGLE PROJECTION |  |
|   |  |  |                                       |  | DRAWN BY<br>RZHANG  | DATE<br>2004/07/20 | TITLE<br><b>1.0 HDMI RIGHT ANGLE HEADER ASSEMBLY(19 PIN) LEAD FREE</b> |                               |                        |  |
|   |  |  |                                       |  | CHECKED BY<br>GRMA  | DATE<br>2004/07/20 | APPROVED BY<br>YTYAP   |                               |                        |  |
|   |  |  |                                       |  | MATERIAL NO.<br>SEE TABLE   |                    | DATE<br>2004/07/20   |                               | MOLEX INCORPORATED     |  |
| DRAFT WHERE APPLICABLE MUST REMAIN WITHIN DIMENSIONS                                      |  |  | SIZE<br><b>A3</b>                     |  | THIS DRAWING CONTAINS INFORMATION THAT IS PROPRIETARY TO MOLEX INCORPORATED AND SHOULD NOT BE USED WITHOUT WRITTEN PERMISSION |                    |  |                               |                        |  |



| ASSEMBLY P/N | DIMENSION |       |       |       |       | FEATURE |            |           |       | HOUSING COLOUR   | GOLD PLATING IN CONTACT AREA   | SHELL PLATING  | REMARK      |      |          |       |       |      |      |     |     |       |  |                |             |
|--------------|-----------|-------|-------|-------|-------|---------|------------|-----------|-------|--|--|----------------|-------------|------|----------|-------|-------|------|------|-----|-----|-------|--|----------------|-------------|
|              | DIM A     | DIM B | DIM C | DIM D | DIM E | FLANGE  | BACK COVER | TOP HOLES | MYLAR |  |  |                |             |      |          |       |       |      |      |     |     |       |  |                |             |
| 47151-1001   | 1.80      | 2.20  | /     | /     | /     | W/O     | WITH       | WITH      | W/O   | BLACK  | SEE NOTE 2 (1)<br>SEE NOTE 2 (2)<br>SEE NOTE 2 (3)<br>SEE NOTE 2 (4) | SEE NOTE 2 (a) | FOR SHEET 3 |      |          |       |       |      |      |     |     |       |  |                |             |
| 47151-1041   |           |       |       |       |       |         |            |           |       |  |  |                |             |      |          |       |       |      |      |     |     |       |  |                |             |
| 47151-1051   |           |       |       |       |       |         |            |           |       |  |  |                |             |      |          |       |       |      |      |     |     |       |  |                |             |
| 47151-1003   |           |       |       |       |       |         |            |           |       |  |  |                |             |      |          |       |       |      |      |     |     |       |  |                |             |
| 47151-1061   |           |       |       |       |       |         |            |           |       |  |  |                |             |      |          |       |       |      |      |     |     |       |  |                |             |
| 47151-1071   |           |       |       |       |       |         |            |           |       |  |  |                |             |      |          |       |       |      |      |     |     |       |  |                |             |
| 47151-1081   |           |       |       |       |       |         |            |           |       |  |  |                |             |      |          |       |       |      |      |     |     |       |  |                |             |
| 47151-1011   |           |       |       |       |       |         |            |           |       |  |  |                |             |      |          |       |       |      |      |     |     |       |  |                |             |
| 47151-1211   |           |       |       |       |       |         |            |           |       |  |  |                |             |      |          |       |       |      |      |     |     |       |  |                |             |
| 47151-1311   |           |       |       |       |       |         |            |           |       |  |  |                |             |      |          |       |       |      |      |     |     |       |  |                |             |
| 47151-1021   |           |       |       |       |       |         |            |           |       |  |  |                |             |      |          |       |       |      |      |     |     |       |  |                |             |
| 47151-1091   |           |       |       |       |       |         |            |           |       |  |  |                |             |      |          |       |       |      |      |     |     |       |  |                |             |
| 47151-1031   |           |       |       |       |       |         |            |           |       |  |  |                |             |      |          |       |       |      |      |     |     |       |  |                |             |
| 47151-1101   |           |       |       |       |       |         |            |           |       |  |  |                |             |      |          |       |       |      |      |     |     |       |  |                |             |
| 47151-1141   | 1.45      | 1.45  | /     | /     | /     | W/O     | WITH       | WITH      | W/O   | SEE NOTE 2 (1)<br>SEE NOTE 2 (2)<br>SEE NOTE 2 (3)<br>SEE NOTE 2 (1)<br>SEE NOTE 2 (2)<br>SEE NOTE 2 (3) | SEE NOTE 2 (a)   | FOR SHEET 5    |             |      |          |       |       |      |      |     |     |       |  |                |             |
| 47151-1151   |           |       |       |       |       |         |            |           |       |  |  |                |             |      |          |       |       |      |      |     |     |       |  |                |             |
| 47151-1111   |           |       |       |       |       |         |            |           |       |  |  |                |             |      |          |       |       |      |      |     |     |       |  |                |             |
| 47151-1161   |           |       |       |       |       |         |            |           |       |  |  |                |             |      |          |       |       |      |      |     |     |       |  |                |             |
| 47151-1171   |           |       |       |       |       |         |            |           |       |  |  |                |             |      |          |       |       |      |      |     |     |       |  |                |             |
| 47151-1121   |           |       |       |       |       |         |            |           |       |  |  |                |             |      |          |       |       |      |      |     |     |       |  |                |             |
| 47151-1131   |           |       |       |       |       |         |            |           |       |  |  |                |             |      |          |       |       |      |      |     |     |       |  |                |             |
| 47151-7102   |           |       |       |       |       |         |            |           |       |  |  |                |             |      |          |       |       |      |      |     |     |       |  |                |             |
| 47151-7142   |           |       |       |       |       |         |            |           |       |  |  |                |             |      |          |       |       |      |      |     |     |       |  |                |             |
| 47151-7162   |           |       |       |       |       |         |            |           |       |  |  |                |             |      |          |       |       |      |      |     |     |       |  |                |             |
|              |           |       |       |       |       |         |            |           |       |  |  |                | 1.45        | 1.45 | M3.0x0.5 | 16.08 | 13.38 | WITH | WITH | W/O | W/O | BLACK | SEE NOTE 2 (1)<br>SEE NOTE 2 (2)<br>SEE NOTE 2 (3) | SEE NOTE 2 (a) | FOR SHEET 5 |
|              |           |       |       |       |       |         |            |           |       |  |  |                |             |      |          |       |       |      |      |     |     |       |  |                |             |
|              |           |       |       |       |       |         |            |           |       |  |  |                |             |      |          |       |       |      |      |     |     |       |  |                |             |
|              |           |       |       |       |       |         |            |           |       |  |  |                |             |      |          |       |       |      |      |     |     |       |  |                |             |
|              |           |       |       |       |       |         |            |           |       |  |  |                |             |      |          |       |       |      |      |     |     |       |  |                |             |
|              |           |       |       |       |       |         |            |           |       |  |  |                |             |      |          |       |       |      |      |     |     |       |  |                |             |
|              |           |       |       |       |       |         |            |           |       |  |  |                |             |      |          |       |       |      |      |     |     |       |  |                |             |
|              |           |       |       |       |       |         |            |           |       |  |  |                |             |      |          |       |       |      |      |     |     |       |  |                |             |
|              |           |       |       |       |       |         |            |           |       |  |  |                |             |      |          |       |       |      |      |     |     |       |  |                |             |
|              |           |       |       |       |       |         |            |           |       |  |  |                |             |      |          |       |       |      |      |     |     |       |  |                |             |
|              |           |       |       |       |       |         |            |           |       |  |  |                |             |      |          |       |       |      |      |     |     |       |  |                |             |
|              |           |       |       |       |       |         |            |           |       |  |  |                |             |      |          |       |       |      |      |     |     |       |  |                |             |
|              |           |       |       |       |       |         |            |           |       |  |  |                |             |      |          |       |       |      |      |     |     |       |  |                |             |
|              |           |       |       |       |       |         |            |           |       |  |  |                |             |      |          |       |       |      |      |     |     |       |  |                |             |

|  |   |   |              |                                   |                    |  |                               |                              |                     |
|--|---|---|--------------|-----------------------------------|--------------------|--|-------------------------------|------------------------------|---------------------|
| <b>SEE SHEET 1</b><br>EC NO: SH2010-0164<br>DRWN: XZHANG 2009/10/20<br>CHKD: GLLI 2009/10/21<br>APPR: XJISONG 2009/11/30 | QUALITY SYMBOLS<br>$\nabla_A = 0$<br>$\nabla_B = 0$<br>$\nabla_C = 0$ | GENERAL TOLERANCES (UNLESS SPECIFIED)   |              | DIMENSION STYLE<br><b>MM ONLY</b> |                    | SCALE<br><b>1:1</b>  | DESIGN UNITS<br><b>METRIC</b> | THIRD ANGLE PROJECTION       |                     |
|  |   | 4 PLACES $\pm$ --- $\pm$ ---<br>3 PLACES $\pm$ --- $\pm$ ---<br>2 PLACES $\pm$ 0.25 $\pm$ ---<br>1 PLACE $\pm$ 0.25 $\pm$ --- | mm      INCH | DRAWN BY<br>RZHANG                | DATE<br>2004/07/20 | TITLE<br><b>1.0 HDMI RIGHT ANGLE HEADER ASSEMBLY(19 PIN) LEAD FREE</b> |                               |                              |                     |
|  |   | ANGULAR $\pm$ 3 °   |              | CHECKED BY<br>GRMA                | DATE<br>2004/07/20 | APPROVED BY<br>YTYAP   |                               |                              |                     |
|  |   | DRAFT WHERE APPLICABLE MUST REMAIN WITHIN DIMENSIONS  |              | MATERIAL NO.<br><b>SEE TABLE</b>  | DATE<br>2004/07/20 | MOLEX INCORPORATED   |                               | DOCUMENT NO.<br>SD-47151-001 | SHEET NO.<br>7 OF 8 |

| ASSEMBLY P/N | DIMENSION |  |          |       |  | FEATURE |            |           |       | HOUSING COLOUR | GOLD PLATING IN CONTACT AREA   | SHELL PLATING  | REMARK      |  |  |        |                |      |      |     |       |
|--------------|-----------|--|----------|-------|--|---------|------------|-----------|-------|----------------|--|----------------|-------------|--|--|--------|----------------|------|------|-----|-------|
|              | DIM A     | DIM B  | DIM C    | DIM D | DIM E  | FLANGE  | BACK COVER | TOP HOLES | MYLAR |                |  |                |             |  |  |        |                |      |      |     |       |
| 47151-1002   | 1.80      | 2.20   | M3.0x0.5 | 16.08 | 13.38  | WITH    | WITH       | WITH      | W/O   | BLACK          | SEE NOTE 2 (1)<br>SEE NOTE 2 (2)<br>SEE NOTE 2 (3)<br>SEE NOTE 2 (4) | SEE NOTE 2 (a) | FOR SHEET 4 |  |  |        |                |      |      |     |       |
| 47151-1042   |           |  |          |       |  |         |            |           |       |                |  |                |             |  |  |        |                |      |      |     |       |
| 47151-1052   |           |  |          |       |  |         |            |           |       |                |  |                |             |  |  |        |                |      |      |     |       |
| 47151-1062   |           |  |          |       |  |         |            |           |       |                |  |                |             |  |  |        |                |      |      |     |       |
| 47151-2062   |           |  |          |       |  |         |            |           |       |                |  |                |             |  |  |        |                |      |      |     |       |
| 47151-1012   |           |  |          |       |  |         |            |           | W/O   | NATURE         | SEE NOTE 2 (1)<br>SEE NOTE 2 (2)<br>SEE NOTE 2 (3)                   |                |             |  |  |        |                |      |      |     |       |
| 47151-1072   |           |  |          |       |  |         |            |           |       |                |  |                |             |  |  |        |                |      |      |     |       |
| 47151-1082   |           |  |          |       |  |         |            |           |       |                |  |                |             |  |  |        |                |      |      |     |       |
| 47151-1022   |           |  |          |       |  |         |            |           |       |                |  |                |             | BLACK  | SEE NOTE 2 (1)                                     |        |                |      |      |     |       |
| 47151-1032   |           |  |          |       |  |         |            |           |       |                |  |                |             |  |  | NATURE | SEE NOTE 2 (1) |      |      |     |       |
| 47151-1102   | 1.45      | 1.45   | M3.0x0.5 | 16.08 | 13.38  | WITH    | WITH       | WITH      | W/O   | BLACK          | SEE NOTE 2 (1)<br>SEE NOTE 2 (2)<br>SEE NOTE 2 (3)<br>SEE NOTE 2 (1) | SEE NOTE 2 (a) |             |  |  |        |                |      |      |     |       |
| 47151-1142   |           |  |          |       |  |         |            |           |       |                |  |                |             |  |  |        |                |      |      |     |       |
| 47151-1152   |           |  |          |       |  |         |            |           |       |                |  |                |             |  |  |        |                |      |      |     |       |
| 47151-1112   |           |  |          |       |  |         |            |           |       |                |  |                |             |  |  |        |                |      |      |     |       |
| 47151-1162   |           |  |          |       |  |         |            |           |       |                |  |                | NATURE      | SEE NOTE 2 (1)<br>SEE NOTE 2 (2)<br>SEE NOTE 2 (3) |  |        |                |      |      |     |       |
| 47151-1172   |           |  |          |       |  |         |            |           |       |                |  |                |             |  |  |        |                |      |      |     |       |
| 47151-1122   |           |  |          |       |  |         |            |           | BLACK | SEE NOTE 2 (1) |  |                |             |  |  |        |                |      |      |     |       |
| 47151-1132   |           |  |          |       |  |         |            |           |       |                | NATURE   |                |             |  | SEE NOTE 2 (1)                                     |        |                |      |      |     |       |
| 47151-1005   |           |  |          |       |  |         |            |           | 1.80  | 2.20           | 4-40   |                |             |  | 16.08  | 13.38  | WITH           | WITH | WITH | W/O | BLACK |
| 47151-1045   |           |  |          |       |  |         |            |           |       |                |  |                |             |  |  |        |                |      |      |     |       |
| 47151-1065   |           |  |          |       |  |         |            |           |       |                |  |                |             |  |  |        |                |      |      |     |       |
| 47151-1015   |           |  |          |       |  |         |            |           |       |                |  |                |             |  |  |        |                |      |      |     |       |
| 47151-1035   | NATURE    | SEE NOTE 2 (1)<br>SEE NOTE 2 (2)<br>SEE NOTE 2 (3) |          |       |  |         |            |           |       |                |  |                |             |  |  |        |                |      |      |     |       |
| 47151-1055   |           |  |          |       |  |         |            |           |       |                |  |                |             |  |  |        |                |      |      |     |       |
| 47151-1025   |           |  | WITH     | BLACK | SEE NOTE 2 (1)<br>SEE NOTE 2 (2)<br>SEE NOTE 2 (3) |         |            |           |       |                |  |                |             |  |  |        |                |      |      |     |       |
| 47151-1075   |           |  |          |       |  |         |            |           |       |                |  |                |             |  |  |        |                |      |      |     |       |
| 47151-1085   |           |  | W/O      | BLACK | SEE NOTE 2 (1)<br>SEE NOTE 2 (2)<br>SEE NOTE 2 (3) |         |            |           |       |                |  |                |             |  |  |        |                |      |      |     |       |
| 47151-1026   |           |  |          |       |  |         |            |           |       |                |  |                |             |  |  |        |                |      |      |     |       |
| 47151-6012   | 1.80      | 2.20   | M3.0x0.5 | 14.25 | 11.28  | WITH    | WITH       | WITH      | W/O   | BLACK          | SEE NOTE 2 (1)<br>SEE NOTE 2 (2)<br>SEE NOTE 2 (3)                   | SEE NOTE 2 (a) |             |  |  |        |                |      |      |     |       |
| 47151-6042   |           |  |          |       |  |         |            |           |       |                |  |                |             |  |  |        |                |      |      |     |       |
| 47151-6052   |           |  |          |       |  |         |            |           |       |                |  |                |             |  |  |        |                |      |      |     |       |
| 47151-6022   |           |  |          |       |  |         |            |           |       |                |  |                | WITH        | BLACK  | SEE NOTE 2 (1)<br>SEE NOTE 2 (2)<br>SEE NOTE 2 (3) |        |                |      |      |     |       |
| 47151-6032   |           |  |          |       |  |         |            |           |       |                |  |                |             |  |  |        |                |      |      |     |       |
| 47151-6112   |           |  |          |       |  |         |            |           | W/O   | BLACK          | SEE NOTE 2 (1)<br>SEE NOTE 2 (2)<br>SEE NOTE 2 (3)                   |                |             |  |  |        |                |      |      |     |       |
| 47151-6142   |           |  |          |       |  |         |            |           |       |                |  |                |             |  |  |        |                |      |      |     |       |
| 47151-6152   |           |  |          |       |  |         |            |           |       |                |  |                |             |  |  |        |                |      |      |     |       |

|  |  |   |              |                                   |                     |  |                        |                              |                     |
|--|--|---|--------------|-----------------------------------|---------------------|--|------------------------|------------------------------|---------------------|
| <b>SEE SHEET 1</b><br>EC NO: SH2010-0164<br>DRWN: XZHUANG 2009/10/20<br>CH'KD: GLLI 2009/10/21<br>APPR: XJ.SONG 2009/11/30 | QUALITY SYMBOLS<br>$F_{\Delta} = 0$<br>$F_{\nabla} = 0$<br>$F_{\square} = 0$ | GENERAL TOLERANCES (UNLESS SPECIFIED)   |              | DIMENSION STYLE<br><b>MM ONLY</b> | SCALE<br><b>1:1</b> | DESIGN UNITS<br><b>METRIC</b>  | THIRD ANGLE PROJECTION |                              |                     |
|  |  | 4 PLACES $\pm$ --- $\pm$ ---<br>3 PLACES $\pm$ --- $\pm$ ---<br>2 PLACES $\pm$ 0.25 $\pm$ ---<br>1 PLACE $\pm$ 0.25 $\pm$ --- | mm      INCH | DRAWN BY<br>RZHANG                | DATE<br>2004/07/20  | TITLE<br><b>1.0 HDMI RIGHT ANGLE HEADER ASSEMBLY(19 PIN) LEAD FREE</b> |                        |                              |                     |
|  |  | ANGULAR $\pm$ 3 °   |              | CHECKED BY<br>GRMA                | DATE<br>2004/07/20  | APPROVED BY<br>YTYAP   |                        |                              |                     |
|  |  | DRAFT WHERE APPLICABLE MUST REMAIN WITHIN DIMENSIONS  |              | MATERIAL NO.<br><b>SEE TABLE</b>  | DATE<br>2004/07/20  | MOLEX INCORPORATED   |                        | DOCUMENT NO.<br>SD-47151-001 | SHEET NO.<br>8 OF 8 |