

PLEASE CHECK WWW.MOLEX.COM FOR LATEST PART INFORMATION

Part Number: [0357181110](#)
Status: **Active**
Description: 4.75mm (.187") Tab Slip-On Terminal, Quick Disconnect, Female, 1.20mm (.047") Tab Thickness, Wire Range 16-20 AWG (1.31-0.52mm²), Post-Tin Plated

Documents:

[Drawing \(PDF\)](#) [RoHS Certificate of Compliance \(PDF\)](#)
[Product Specification PS-35703-001 \(PDF\)](#)

Agency Certification

TUV R9451159

General

Product Family Quick Disconnects
 Series [35718](#)
 Crimp Quality Equipment Yes
 Product Name Slip-On
 Type Quick Disconnect

Physical

Barrel Type Open
 Gender Female
 Glow-Wire Compliant No
 Insulation None
 Lock to Mating Part Yes
 Material - Metal Brass
 Material - Plating Mating Tin
 Material - Plating Termination Tin
 Orientation Straight
 Packaging Type Reel
 Plating min: Mating (µin) 40
 Plating min: Mating (µm) 1
 Plating min: Termination (µin) 40
 Plating min: Termination (µm) 1
 Polarized to Mating Part No
 Tab Thickness 1.20mm (.047")
 Tab Width 4.75mm (.187")
 Temperature Range - Operating -40°C to +105°C
 Termination Interface: Style Crimp or Compression
 Wire Insulation Diameter 3.50mm (.138") max.
 Wire Size AWG 16, 18, 20
 Wire Size mm² 0.50 - 1.30

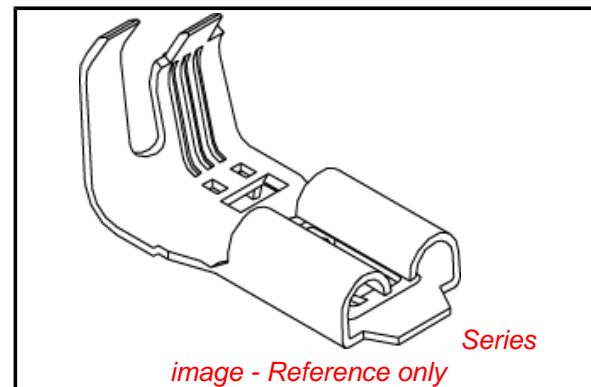
Electrical

Voltage - Maximum 250V

Material Info

Reference - Drawing Numbers

Product Specification PS-35703-001
 Sales Drawing SD-35718-11*0



EU RoHS

ELV and RoHS Compliant
REACH SVHC Contains SVHC: No
Halogen-Free Status

China RoHS



Need more information on product environmental compliance?

Email productcompliance@molex.com
 For a multiple part number RoHS Certificate of Compliance, [click here](#)

Please visit the [Contact Us](#) section for any non-product compliance questions.

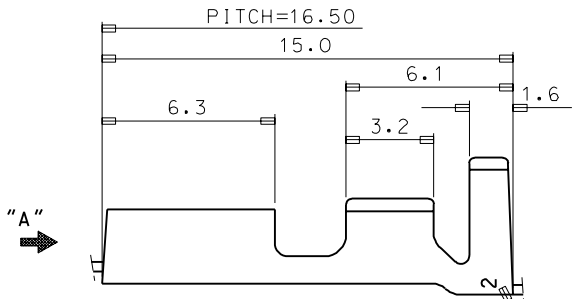
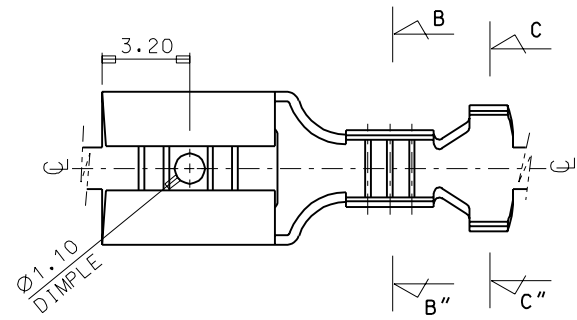
Search Parts in this Series

[35718Series](#)

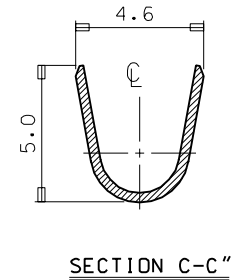
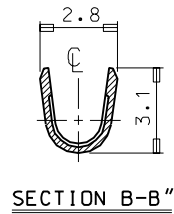
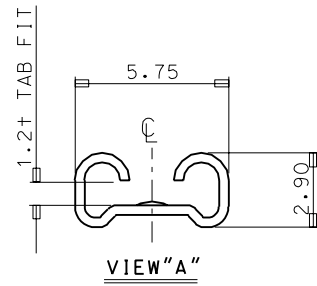
Use With

4.75mm (.187") Tab

PROJECT NO. EDP NO. SIMILAR ITEM ENG. NO. SD 35718-11*0



TRADE MARK (MK2)



- NOTES
1. MATERIAL: BRASS , 0.35THICKNESS
 2. FINISH: 35718-1100:UNPLATED
35718-1110:POST-TIN PLATED

WIRE RANGE AWG #20-#16 (0.52-1.31mm ²)					MATERIAL SEE NOTES	MOLEX-KOREA CO.,LTD.	
INSULATION RANGE Ø2.6-3.5	B	REVISED	95-007	95.1.17	GENERAL TOLERANCE DIMENSION : 1p1cs:±0.30 ANGLE : 2p1cs:±0.20		DRAWN BY W. Y. YANG
DIE FEED: ---	A	CAD REDRAWING	93-011	93.5.24	DIMENSION CLASSIFICATION ▽ : CRITICAL ▼ : MAJOR () : REFERENCE	APP'D BY	SCALE 6:1
APPLICATOR FEED: 16.5	LTR	REVISION RECORD	ECN	DATE	ASS'Y PART DESCRIPTION ENG. NO.	TITLE: .187 SLIP-ON REC'	SHEET 1 of 1
O'TY/ REEL OR PACK 7,000 O'ty/Reel	REVISE ONLY ON CAD SYSTEM				---	ENG. NO. SD 35718-11*0	REV B