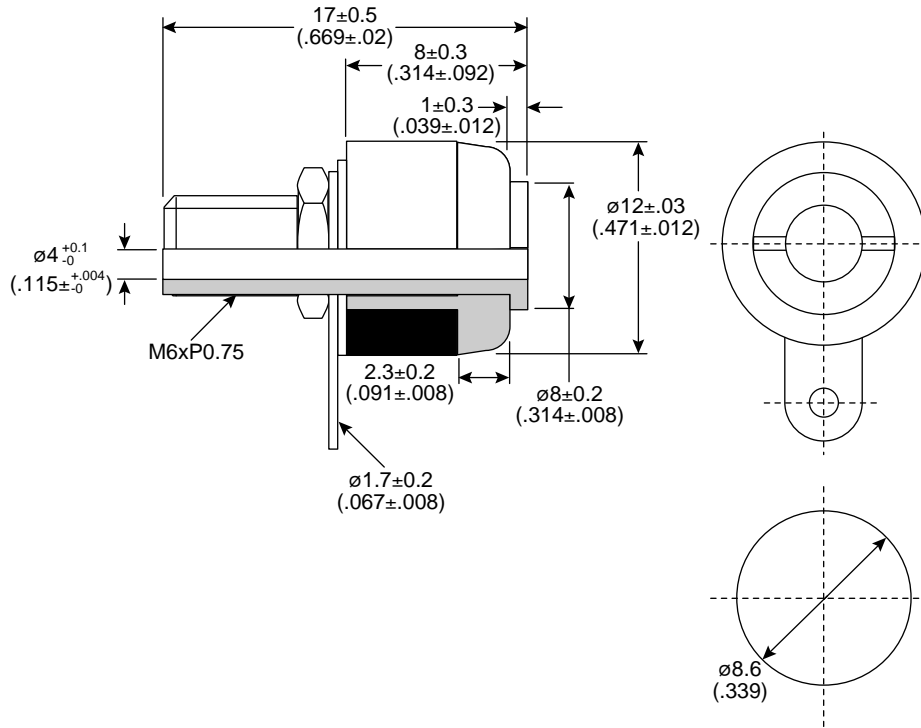


Banana Socket

164-R104R, 164-R104B



Banana Socket



Dimensions: mm (In.)

| ELECTRICAL SPECIFICATIONS | |
|---------------------------|--------------------|
| Rating: | 10A 125V AC |
| Insulation Resistance: | DC 500V 100MΩ min. |
| Dielectric Strength: | AC 1000V 1 minute |
| Temperature Range: | -10°C to +80°C |

| MATERIALS | |
|------------------|---------------------|
| Insulation: | Nylon UL 94V-2 |
| Metal: | Nickel plated brass |
| Panel Thickness: | .5-3.0mm |

Date Last Revised: 08-19-04

Available from Mouser Electronics
 1-800-346-6873
 www.mouser.com

KC-300112

164-R104R, 164-R104B