

**PLEASE CHECK WWW.MOLEX.COM FOR LATEST PART INFORMATION**

**Part Number:** **0508627125**  
**Status:** **Active**  
**Description:** Ring Tongue Terminal for 2/0 AWG, Closed Uninsulated Brazed Barrel, Stud Size 5/16" (M8), Oxygen-Free Copper, Length 51.00mm (2.008")

**Documents:**

[Drawing \(PDF\)](#) [RoHS Certificate of Compliance \(PDF\)](#)  
[Product Specification PS-50862-001 \(PDF\)](#)

**General**

Product Family	Ring and Spade Terminals
Series	<u>50862</u>
Crimp Quality Equipment	Yes
Mil-Spec	N/A
Product Name	R (Ring)
Type	Ring

**Physical**

Barrel Type	Closed - Brazed
Insulation	None
Material - Plating Mating	Tin
Packaging Type	Bag
Stud Size	5/16" (M8)
Wire Size AWG	2/0
Wire Size mm <sup>2</sup>	60.57 - 76.28

**Material Info**

**Reference - Drawing Numbers**

Product Specification	PS-50862-001
Sales Drawing	SD-50862-001



image - Reference only

Series

**EU RoHS**

**ELV and RoHS Compliant**

**REACH SVHC**

Not Reviewed

**Halogen-Free**

Status

**Not Reviewed**

**China RoHS**



**Need more information on product environmental compliance?**

Email [productcompliance@molex.com](mailto:productcompliance@molex.com)  
 For a multiple part number RoHS Certificate of Compliance, [click here](#)

Please visit the [Contact Us](#) section for any non-product compliance questions.

**Search Parts in this Series**

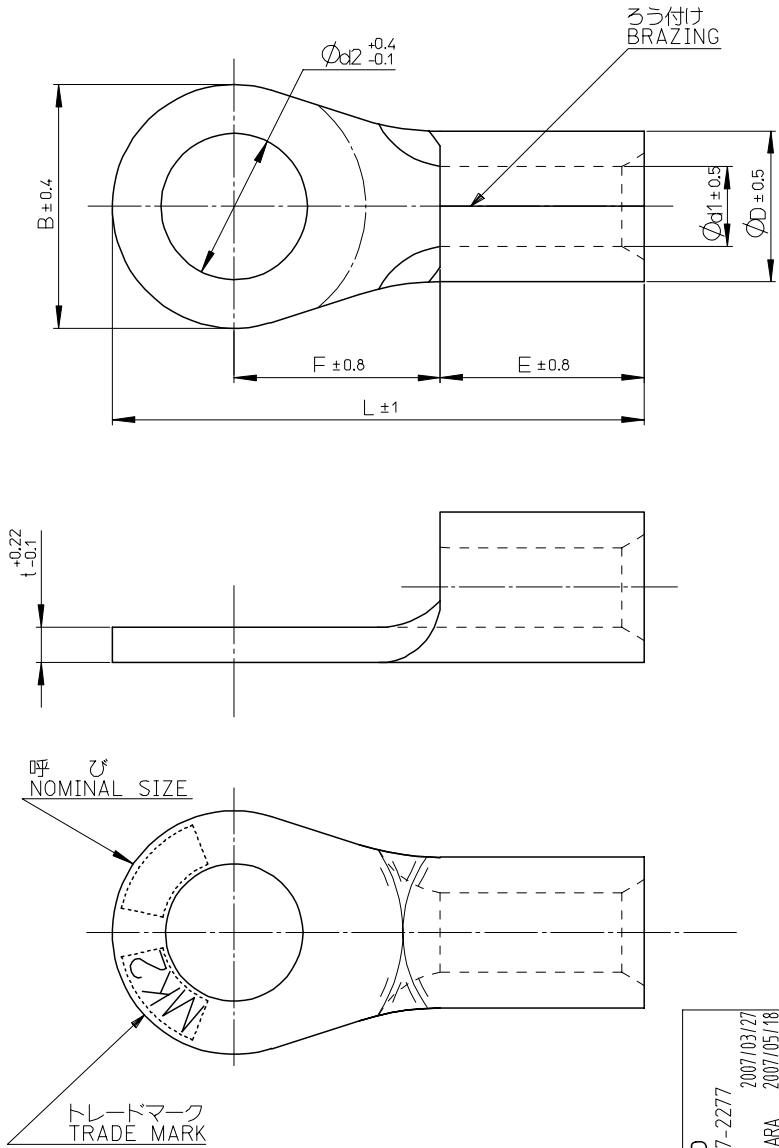
50862Series

**Application Tooling | FAQ**

*Tooling specifications and manuals are found by selecting the products below. Crimp Height Specifications are then contained in the Application Tooling Specification document.*

**Japan**

Description	Product #
Battery Type Hand Crimper For JIS Terminal	<u>0573439004</u>



注記 NOTES

- 1 材質 MATERIAL  
 端子: 無酸素銅、スズメッキ  
 TERMINAL: OXYGEN-FREE COPPER, TIN PLATING  
 ろう付け部: 銀ろう  
 PART OF BRAZING : SILVER SOLDER
- 2 適用電線 APPLICABLE WIRE RANGE

単線 SOLID WIRE	撚線 STRANDED WIRE
8.26-9.27 mm	60.57-76.28 mm <sup>2</sup>

2	25	61	26	19	13.3	17.5	32	70	24	50862-7925
	21								20	-7825
	19								18	-7725
	17								16	-7625
	15								14	-7525
	13	12	-7425							
	11.5	11	-7325							
	10.5	10	-7225							
	8.4	8	-7125							
	6.4	6	50862-7025							
t	d2	L	F	E	d1	D	B	呼び NOMINAL SIZE	ENG. NO.	

RELEASED EC NO: J2007-2277 DRWNG: ITO 2007/03/27 CHKD: KASAHARA 2007/05/18 APPR: NUKITA 2007/05/21	GENERAL TOLERANCES (UNLESS SPECIFIED)		DIMENSION STYLE MM ONLY		SCALE ---	DESIGN UNITS METRIC	THIRD ANGLE PROJECTION	
	10 UNDER	± ---	DRAWN BY K. ITO	DATE 2007/02/06	TITLE RING TERMINAL			
	10 OVER 30 UNDER	± ---	CHECKED BY K. KASAHARA	DATE 2007/02/06	MATERIAL NO.			
	30 OVER	± ---	APPROVED BY N. UKITA	DATE 2007/02/06	DOCUMENT NO. SD-50862-001			
	ANGULAR	± --- °	SEE CHART		SHEET NO. 1 OF 1			
DRAFT WHERE APPLICABLE MUST REMAIN WITHIN DIMENSIONS		THIS DRAWING CONTAINS INFORMATION THAT IS PROPRIETARY TO MOLEX INCORPORATED AND SHOULD NOT BE USED WITHOUT WRITTEN PERMISSION						