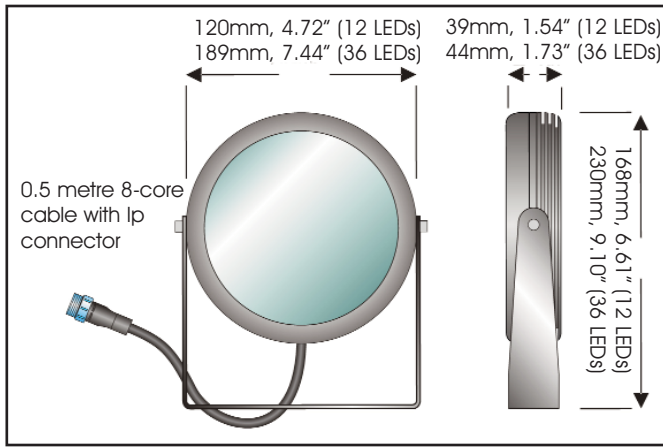




ES Series White LED Luminaire



Certifications & Compliance

- ▷ CE Compliant to EN 62031
- ▷ IP67 rated as standard

Features & Benefits:

- ▷ Utilises the latest high efficiency LUXEON® Rebel™ LED technology
- ▷ > 70% lumen maintenance @ 50,000 hours at max operating temperature
- ▷ Low power consumption
- ▷ Choice of optical patterns available

Order Codes:

ESS-AA-BB-CC

Housing Colour (S)	# of LEDs (AA)	Typical Power Consumption (Watts)	Typical Colour Temperature (BB)	Lens Type (CC)
Silver	12	14.4	CW = 5000K - 6350K	SD (Spot Diffused) = Spot 7°
			NW = 3800K - 4100	MD (Medium) = Medium 10°
	36	43.2	WW = 2850K - 3250	WD (Wide) = Wide 20°

Ordering Codes: Compatible Drivers

Part Number	DESCRIPTION
CDU-L-3-35-DMX	3 Channel 350mA Constant Current Driver with DMX interface

Application:

Utilizes the latest high efficiency LUXEON Rebel LED technology. Applications include Exterior Lighting, Architectural Lighting, Wall Washing, Nightclubs and Entertainment. Choice of optical patterns available. All of Dialight's long life LED luminaires are designed to meet the most demanding specification criteria while offering maximum energy savings, reduced maintenance costs, and a superior quality of light.

Mechanical Information:

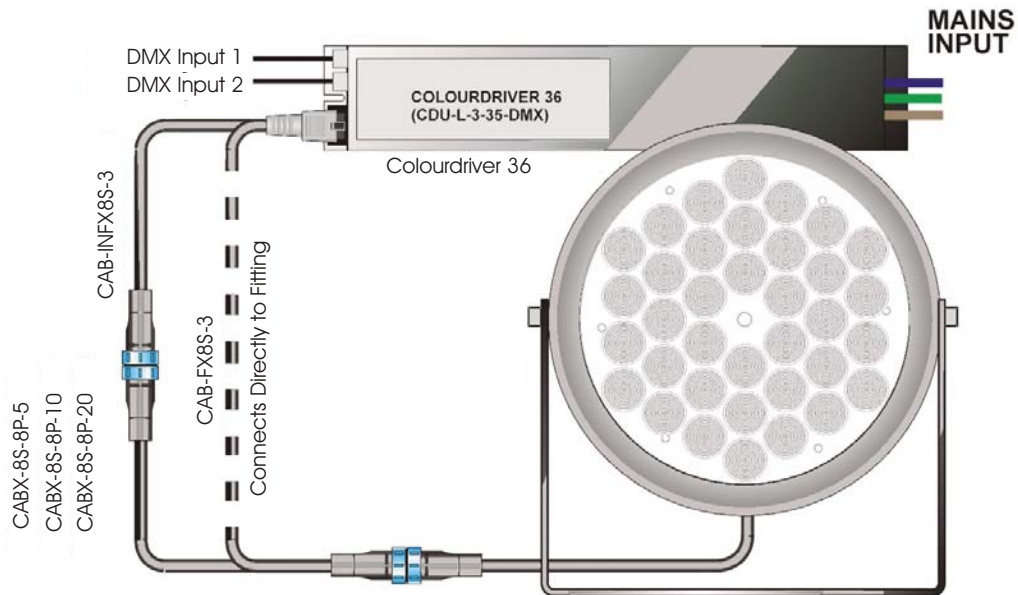
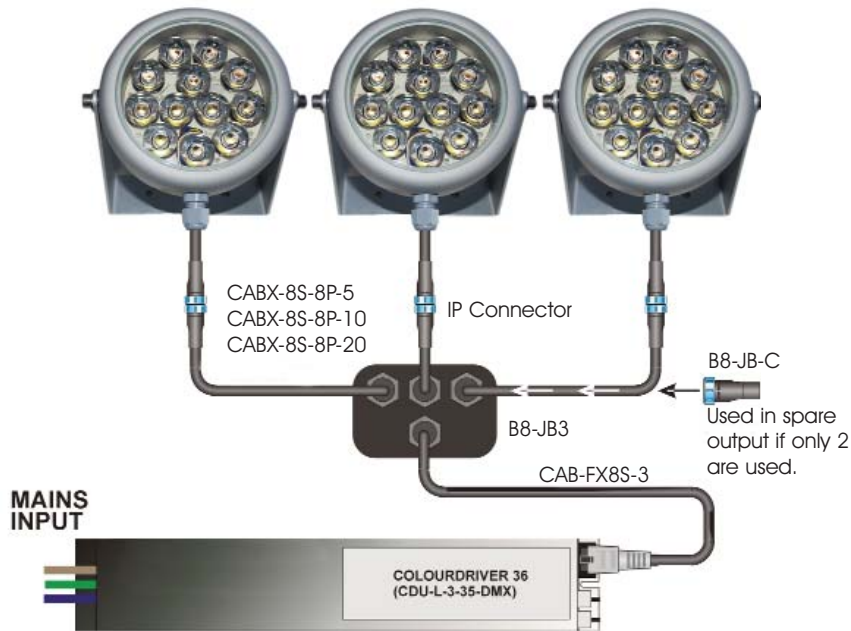
Fixture Dimensions:	12 LEDs = 120mm x 168mm x 39mm [4.72" X 6.61" X 1.54"]
	36 LEDs = 189mm x 230mm x 44mm [7.44" X 9.10" X 1.73"]
Container Weight:	12 LEDs - 2.5kg / 5.5lbs 36 LEDs - 2.5kg / 5.5lbs
Mounting:	Adjustable bracket
Electrical specifications:	
Operating Temperature:	-20°C to +45°C
Drive Current:	350mA
Housing:	Silver Anodised Aluminium Housing
Lens:	Glass and Resin Lens
Photometric Information:	
	12 LEDs
	36 LEDs

Series LED Fixture

Cables and Accessories

Accessory Code	Description
CAB-FX8S-3	3 metre Molex to Buccaneer cable connects to ESS Fixture
CABX-8S-8P-(5,10,20)	5,10 or 20 Metre IP67 Extension Cable
CAB-INFX8S-3	3 metre Molex to Buccaneer cable connects to CABX Extension cables
B8-JB-3	IP67 Junction B8-JB-3 Block 1 in 3 out
B8-JB-C	IP67 Junction Block Common Connector

Typical Wiring Examples



ES 36 Connected to Colourdriver 36

Dialight reserves the right to make changes at any time in order to supply the best product possible.
The most current version of this document will always be available at:
www.dialight.com/Assets/Brochures_And_Catalogs/Illumination/MDEXESTEMO.pdf