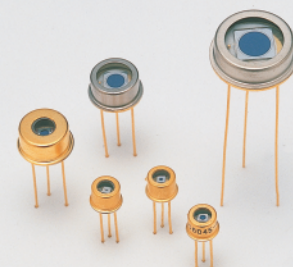


Si APD

S6045 series

Low temperature coefficient type APD for 800 nm band



Features

- Low temperature coefficient: 0.4 V/°C
- High-speed response
- High sensitivity, low noise

Applications

- Optical fiber communications
- Spatial light transmission
- Rangefinder

General ratings / Absolute maximum ratings

Type No.	Dimensional outline/ Window material *1	Package	Effective active area size *2 (mm)	Effective active area (mm ²)	Absolute maximum ratings	
					Operating temperature T _{opr} (°C)	Storage temperature T _{stg} (°C)
S6045-01	①/K	TO-18	φ0.2	0.03	-40 to +85	-55 to +125
S6045-02			φ0.5	0.19		
S6045-03			φ1.0	0.78		
S6045-04	②/K	TO-5	φ1.5	1.77		
S6045-05	③/K		φ3.0	7.0		
S6045-06	④/K	TO-8	φ5.0	19.6		

Electrical and optical characteristics (Typ. T_a=25 °C, unless otherwise noted)

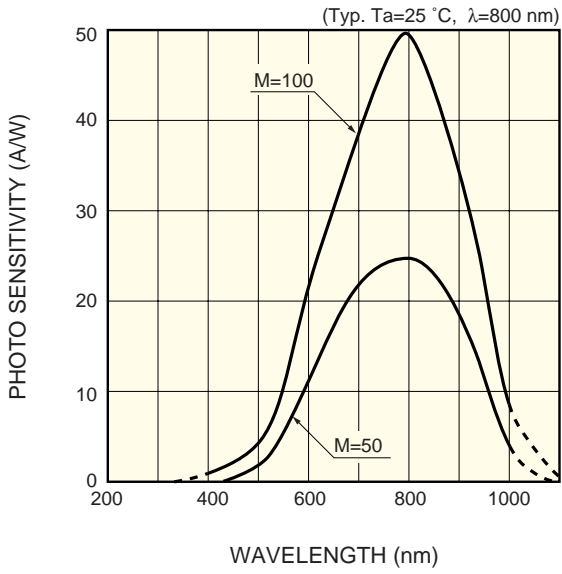
Type No.	Spectral response range λ (nm)	Peak *3 sensitivity wavelength λ _p (nm)	Photo sensitivity S M=1 λ=800 nm (A/W)	Quantum efficiency QE M=1 λ=800 nm (%)	Breakdown voltage V _{BR} I _D =100 μA		Temp. coefficient of V _{BR} (V/°C)	Dark current *3 I _D		Cut-off frequency *3 f _c R _L =50 Ω (MHz)	Terminal capacitance *3 C _t (pF)	Excess noise figure *3 x λ=800 nm	Gain M λ=800 nm
					Typ. (V)	Max. (V)		Typ. (nA)	Max. (nA)				
S6045-01	400 to 1000	800	0.5	75	200	300	0.4	0.05	0.5	1000	1.5	0.3	100
S6045-02								0.1	1	900	3		
S6045-03								0.2	2	600	6		
S6045-04								0.5	5	350	12		
S6045-05								1	10	80	50		
S6045-06								3	30	35	120		

*1: K: borosilicate glass

*2: Area in which a typical gain can be obtained.

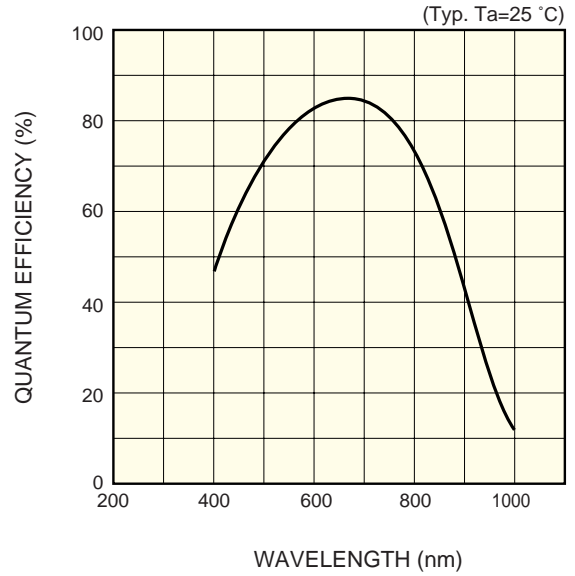
*3: Values measured at a gain listed in the characteristics table.

■ Spectral response



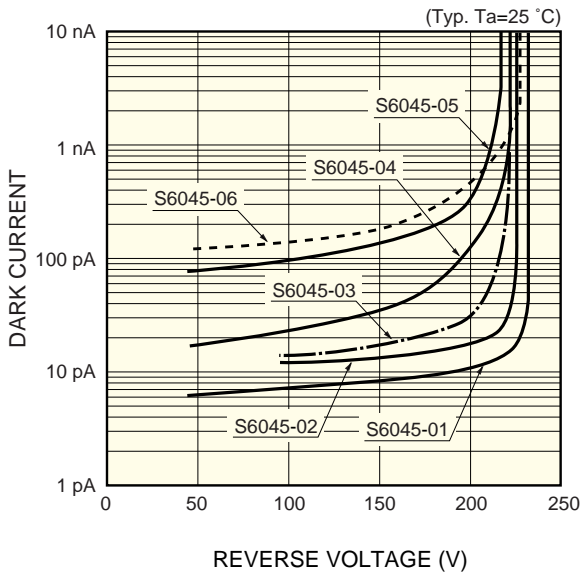
KAPDB0026EA

■ Quantum efficiency vs. wavelength



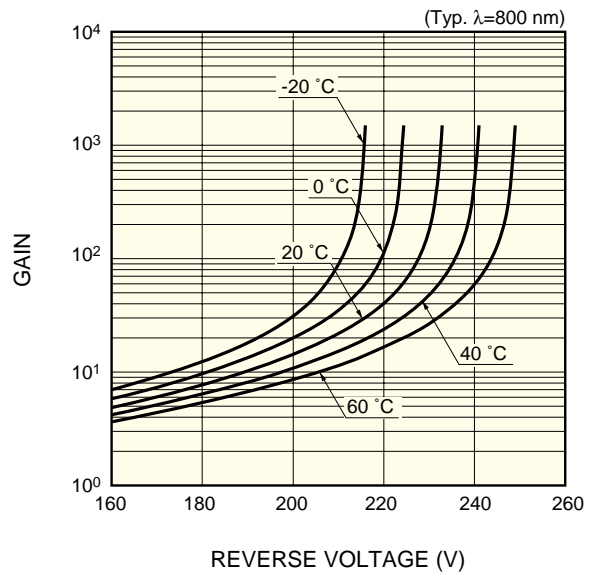
KAPDB0027EA

■ Dark current vs. reverse voltage



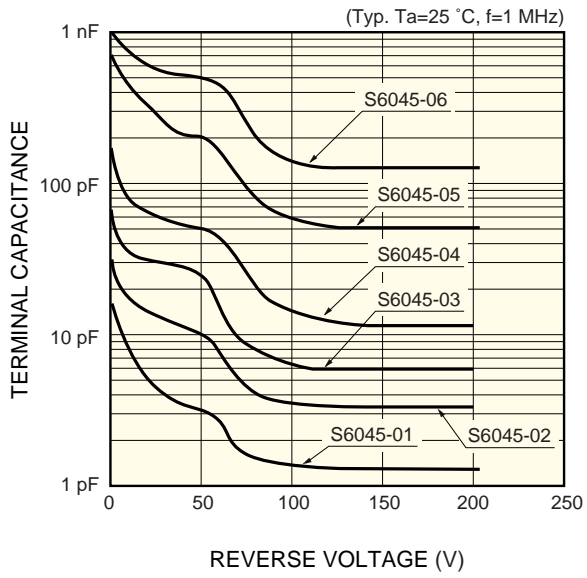
KAPDB0028EA

■ Gain vs. reverse voltage



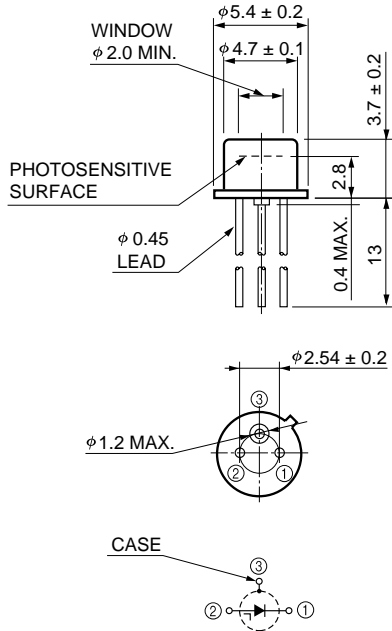
KAPDB0029EB

■ Terminal capacitance vs. reverse voltage



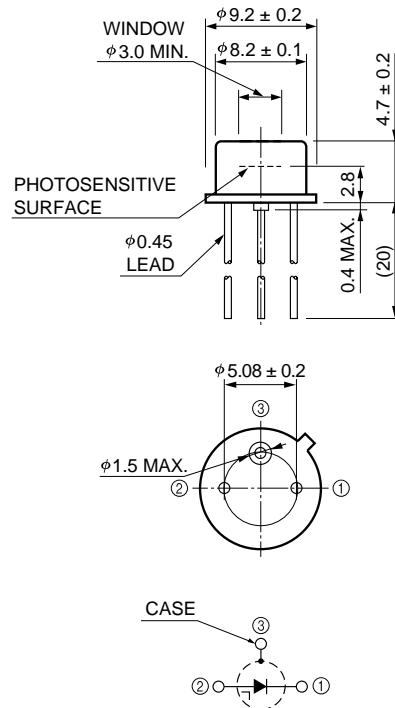
Dimensional outlines (unit: mm)

① S6045-01/-02/-03



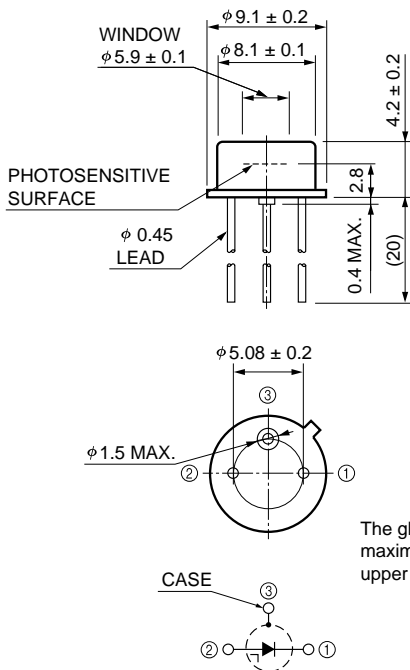
KAPDA0010EA

② S6045-04



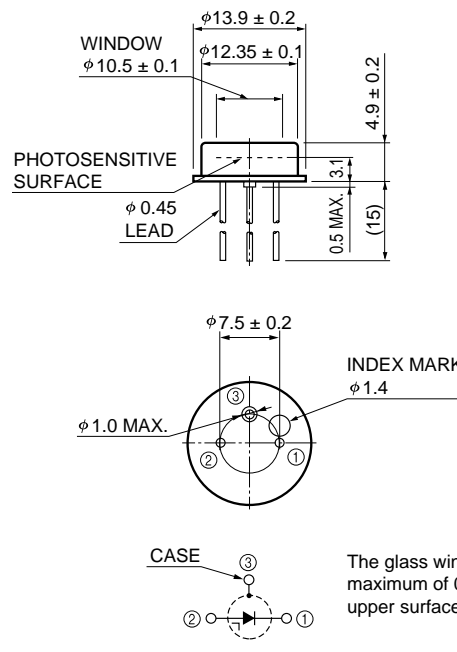
KAPDA0011EB

③ S6045-05



KAPDA0012EB

④ S6045-06



KAPDA0013ED

The glass window may extend a maximum of 0.2 mm above the upper surface of the cap.

The glass window may extend a maximum of 0.2 mm above the upper surface of the cap.