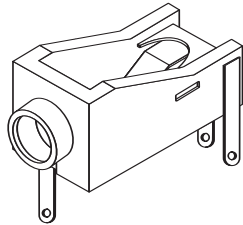


Phone Jacks

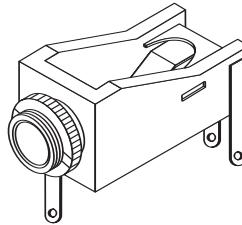
161-3400, 161-3412



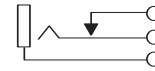
Phone Jacks



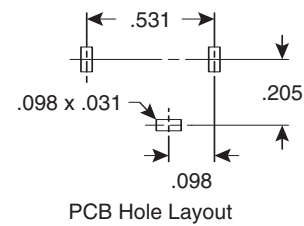
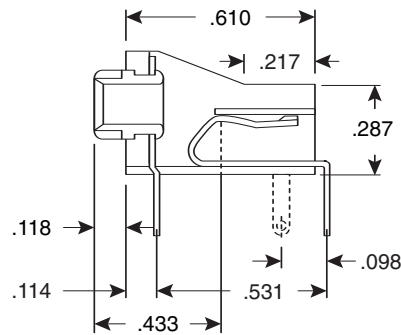
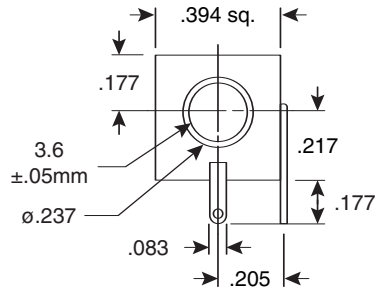
161-3412



161-3400



Circuit Diagram



PCB Hole Layout

Dimensions: In.
Tolerance: ± 0.012 " (.3mm)
(except where noted)

SPECIFICATIONS	
Type:	3.5mm mono jack with switch
Contact resistance:	20m Ω max.
Insulation resistance:	100M Ω min. @ 250VDC
Breakdown voltage:	500VAC for 1 minute
Knurled nut:	$\phi 6$ x .5mm (on 161-3400 only)

Date Last Revised: 4-5-05

Available from Mouser Electronics
1-800-346-6873
www.mouser.com

KC-300426

161-3400, 161-3412