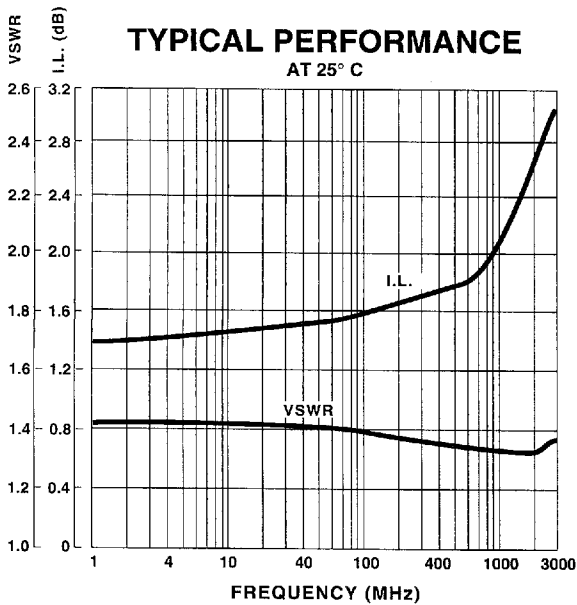
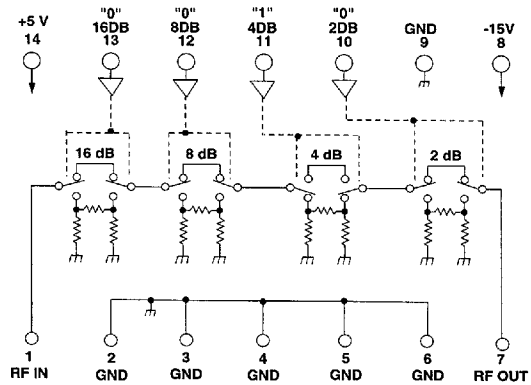
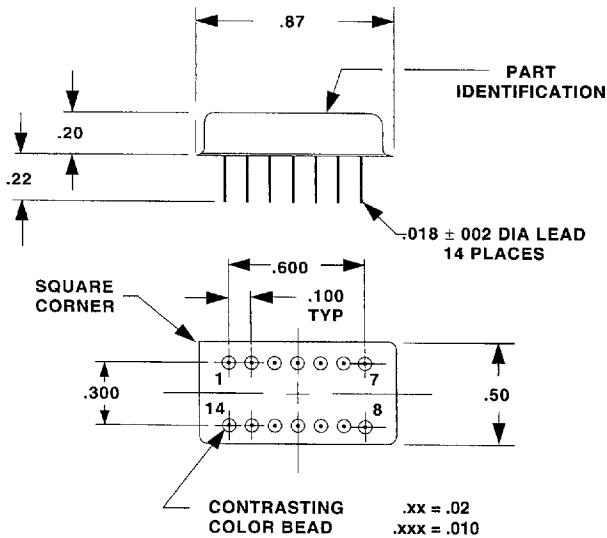
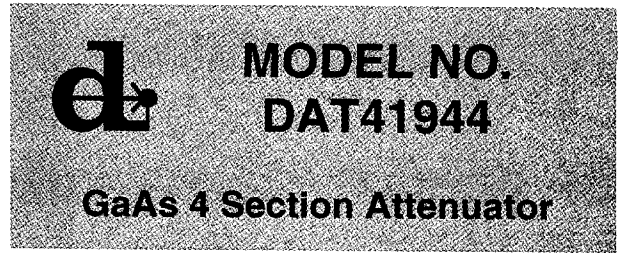


## FEATURES

- DC- 2000 MHz
- 2dB LSB, 30dB Range
- TTL Driver
- 14 Pin DIP
- High Intercept Point

4 BIT



## GUARANTEED PERFORMANCE

PARAMETER	MIN	TYP	MAX	UNITS	CONDITIONS
OPERATING FREQUENCY	DC		2000	MHz	
DC CURRENT		28 18	35 25	mA	AT +5 VDC SUPPLY AT -15 VDC SUPPLY
CONTROL TYPE		TTL			4 LINES LOGIC "0" = THRU LOGIC "1" = ATTENUATION
CONTROL CURRENT:	HIGH LOW	1 1	±40 ±40	μA	V <sub>IH</sub> = +2.7V V <sub>IL</sub> = +0.5V
INSERTION LOSS		2.5	3.0	dB	
ATTENUATION	LSB RANGE ACCURACY	0	2.0 30	dB dB	2, 4, 8, 16 ±(0.25 dB + 2% OF ATTEN. SETTING IN dB)
VSWR		1.4/1	2/1		
IMPEDANCE		50		OHMS	
SWITCHING SPEED		33	100	nSEC	50% TTL TO 10% / 90% RF
TRANSITION (RISE/FALL) TIME		20	25	nSEC	90% / 10% OR 10% / 90% RF
SWITCHING (VIDEO) TRANSIENTS		3B	100	mV	PEAK VALUE
INTERCEPT POINTS,	2ND 3RD	+50 +30	+54 +36	dBm	
RF POWER:	OPERATE NO DAMAGE		+16 +10 +20	dBm	0.1 dB COMPRESSION ABOVE 100MHz
OPERATING TEMPERATURE		-55	+25 +85	°C	TA