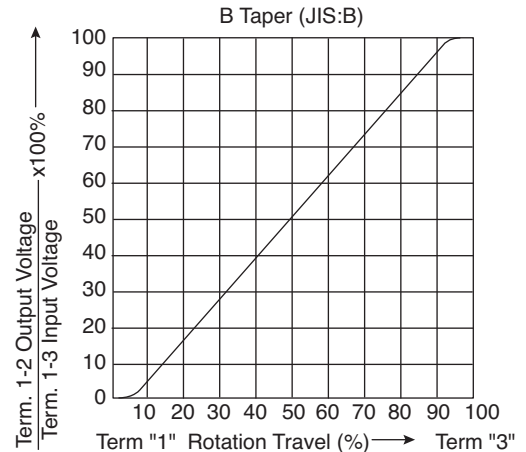
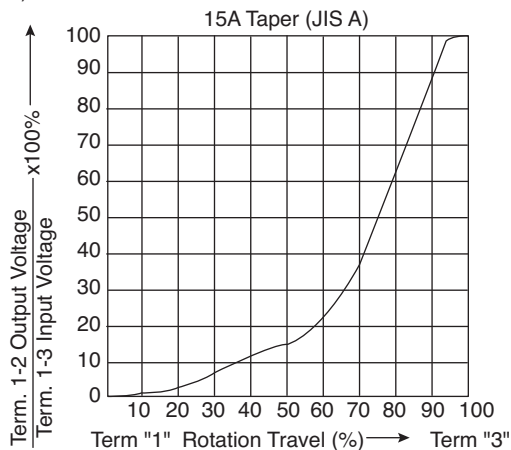
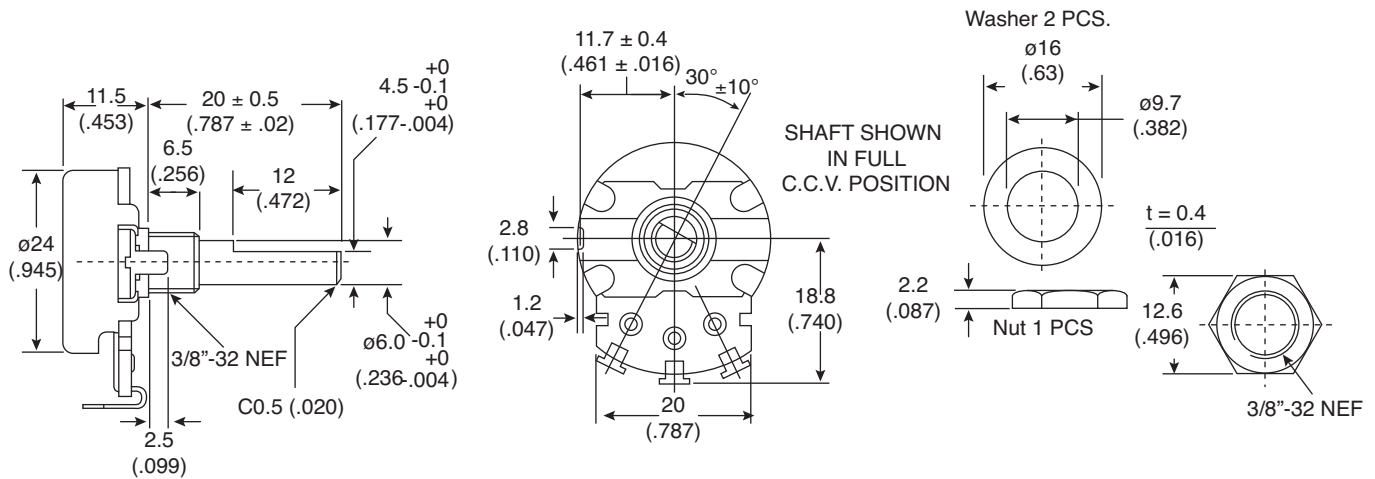




24mm D-Shaft Potentiometer 313-2470F-Value



Dimensions mm (in.)

Electrical Specification:

- Rated wattage: .25W
- Maximum working voltage: 250V
- Insulation resistance: more than 100MΩ
- Withstand voltage: 500VAC for 1 minute
- Temperature range: from -10°C to +70°C
- Rotation life: 15,000 cycles
- RoHS Compliant

Audio Taper

313-2470F-1K
313-2470F-5K
313-2470F-10K
313-2470F-50K
313-2470F-100K
313-2470F-250K
313-2470F-500K
313-2470F-1M