

TACT Switch™ 6mm Square(Snap-in Type)

SKEG Series



Soft feeling available with joint-stem & horizontal push.



- Detector
- Push
- Slide
- Rotary
- Encoders
- Power

Dual-in-line
Package Type

TACT Switch™

Custom-
Products

Sharp
Feeling

Soft
Feeling

Snap-in
Type

Surface
Mount Type

Radial
Type

Product Line

Vertical Type

Product No.	Operating force	Operating direction	Travel (mm)	Rating (max.)	Rating (min.)	Operating life (5mA 5V DC)	Initial contact resistance	Stem color	Variety	Minimum order unit (pcs.)	Drawing No.
SKEGACA010	0.78N	Vertical	1	5mA 12V DC	10μA 1V DC	100,000 cycles	1k max.	Ivory	Joint stem	1,000	1
SKEGAEA010	1.96N							Dark gray			
SKEGADA010	0.78N							Ivory	Flat stem		2
SKEGAFA010	1.96N							Dark gray			

Horizontal Type

Product No.	Operating force	Operating direction	Travel (mm)	Rating (max.)	Rating (min.)	Operating life (5mA 5V DC)	Initial contact resistance	Stem color	Minimum order unit (pcs.)	Drawing No.
SKEGLAA010	0.78N	Horizontal	1	5mA 12V DC	10μA 1V DC	50,000 cycles	1k max.	Black	1,000	3
SKEGLBA010	1.96N							Dark gray		

Dimensions


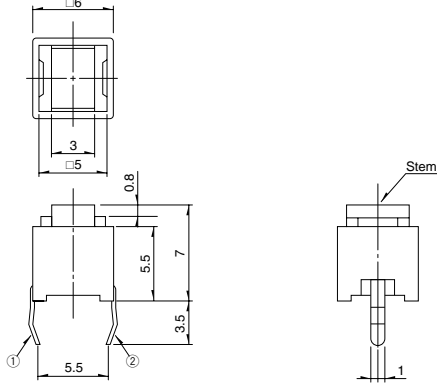
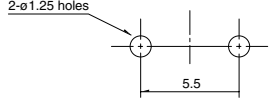

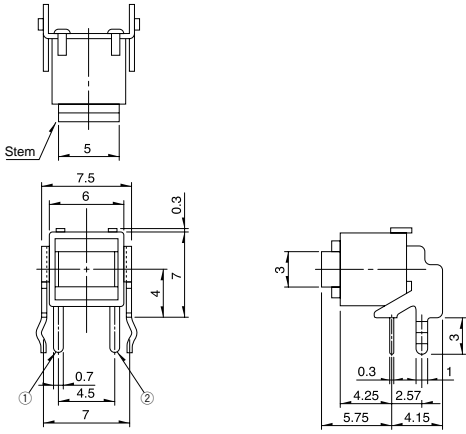
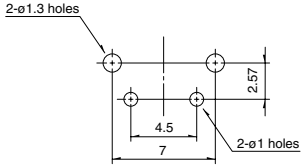
Unit:mm

No.	Photo	Style	PC board mounting hole dimensions (Viewed from switch mounting face)
1			

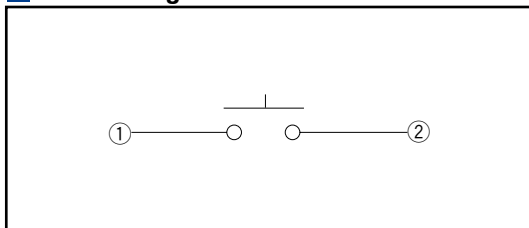
Refer to P.306 for soldering conditions.
Refer to P.308 for standard konbs.

Dimensions

Unit:mm

No.	Photo	Style	PC board mounting hole dimensions (Viewed from switch mounting face)
2			
3			

Circuit Diagram



Note

Please use 1.6mm thick PC boards.
 (For horizontal type, 1.0mm)

Detector

Push

Slide

Rotary

Encoders

Power

Dual-in-line
 Package Type

TACT Switch™

Custom-
 Products

Sharp
 Feeling

Soft
 Feeling











Snap-in
 Type

Surface
 Mount Type

Radial
 Type

List of Varieties

Soft Feeling Type

Series		SKEG	SKPE	SKEG	SKEY	SKPF	SKPM	SKPN	SKPG	SKPL	SKPD
Photo											
Type		Snap-in					Surface mount			Radial	
Features					Horizontal type	High operation force and long stroke	Low contact resistance		Round terminal and low contact resistance		
Operating direction	Vertical										
	Horizontal										
Dimensions (mm)	W		6.6	7.5	7.8	8	5.9	6	6.6	φ6.45	7.8
	D	6	6.3	9.9		9	6	6.7	6.3		
	H	7	5	7.3	5	10	5	7	5		
Contact		Carbon					Silver		Carbon	Silver	Carbon
Operation force coverage	1N	↕	↕	↕	↕	↕	↕	↕	↕	↕	↕
	5N					↕					
Ground terminal											
Operating temperature range		-20 to +70 SKEG									
		-40 to +90									
Electrical performance	Insulation resistance	100M min. 100V DC SKEY/PD : 50M min. 100V DC									
	Voltage proof	250V AC for 1min. SKPN : 200V AC for 1min. SKEY/PD : 100V AC for 1min.									
Durability	Vibration	10 to 55 to 10Hz/min., the amplitude is 1.5mm for all the frequencies, in the 3 direction of X, Y and Z for 2hours respectively									
	Lifetime	Shall be in accordance with individual specifications.									
Environmental performance	Cold	-30 ± 2 for 96h									
	Dry heat	80 ± 2 for 96h									
	Damp heat	60 ± 2 , 90 to 95%RH for 96h									
Page		296	298	296	299	300	301	302	303	304	305

W : Width. The most outer dimension excluding terminal portion.
 D : Depth. The most outer dimension excluding terminal portion.
 H : Height. The minimum dimension if there are variances.

TACT Switch™ Soldering Conditions306
 TACT Switch™ Cautions307
 Product Line of Knob for TACT Switch™308

Detector

Push

Slide

Rotary

Encoders

Power

Dual-in-line
Package Type

TACT Switch™

Custom-
Products

Sharp
Feeling

Soft
Feeling

Snap-in
Type

Surface
Mount Type

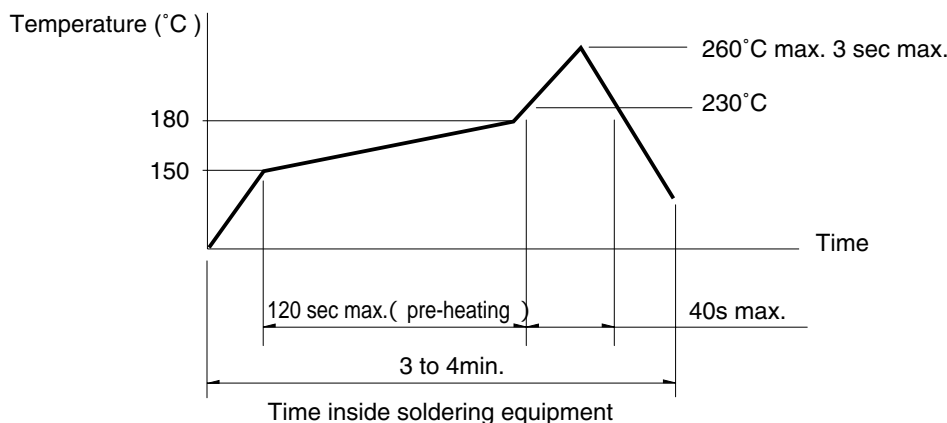
Radial
Type

Soldering Conditions

Condition for Reflow

Available for Surface Mount Type.

1. Heating method: Double heating method with infrared heater.
2. Temperature measurement: Thermocouple 0.1 to 0.2 CA(K) or CC(T) at solder joints(copper foil surface). A heat resistive tape should be used to fix thermocouple.
3. Temperature profile



Note

1. The above temperature shall be measured on the mounting surface of a PC board. There are cases where the PC board's temperature greatly differs from that of the switch, depending on the material, size, thickness of PC boards and others. The above-stated conditions shall also apply to switch surface temperatures.
2. Soldering conditions differ depending on reflow soldering machines. Prior verification of soldering condition is highly recommended.

Conditions for Auto-dip

Available for Snap-in Type and Radial Type
(Except SKHJ, SKHL, SKQJ, SKQK, SKEG series)

Items	Condition
Flux built-up	Mounting surface should not be exposed to flux
Preheating temperature	Ambient temperature of the soldered surface of PC board. 100 max.
Preheating time	60s max.
Soldering temperature	260 max.
Duration of immersion	5s max.
Number of soldering	2times max.

Manual Soldering (Except SKRT Series)

Items	Condition
Soldering temperature	350 max.
Duration of soldering	3s max.
Capacity of soldering iron	60W max.

Notes

1. Consult with us for availability of TACT Switch™ washing.
2. Prevent flux penetration from the top side of the TACT Switch™.
3. Switch terminals and a PC board should not be coated with flux prior to soldering.
4. The second soldering should be done after the switch is stable with normal temperature.
5. Use the flux with a specific gravity of min 0.81.
(EC-19S-8 by TAMURA Corporation, or equivalents.)

Detector
Push
Slide
Rotary
Encoders
Power
Dual-in-line Package Type
TACT Switch™
Custom-Products

Sharp Feeling
Soft Feeling
Snap-in Type
Surface Mount Type
Radial Type

Product Line of Knobs

Unit:mm

Applicable model	Dimensions	Variety		Label dimensions (Unit:mm)
		Color	Model	
Detector				
Push				
Slide				
Rotary				
Encoders				
Power				
Dual-in-line Package Type				
TACT Switch™				
Custom-Products				
SKHH Applicable to joint stem type		Red Blue Ivory Black Yellow	Keytop SK2AA00410 SK2AA00420 SK2AA00430 SK2AA00440 SK2AA00450	
SKHC SKQE Applicable to joint stem type		Clear Red Blue Ivory Black	Cap SK2AA00510 Keytop SK2AA00010 SK2AA00020 SK2AA00030 SK2AA00040 Keytop + Cap SK2AA00060 SK2AA00070 SK2AA00080 SK2AA00090	
SKHJ Sharp Feeling Soft Feeling Snap-in Type		Clear Red Blue Ivory Black Yellow	Cap SK2AA00520 Keytop SK2AA00210 SK2AA00220 SK2AA00230 SK2AA00240 SK2AA00250 Keytop + Cap SK2AA00260 SK2AA00270 SK2AA00280 SK2AA00290 SK2AA00300	
Surface Mount Type Radial Type SKEG Applicable to joint stem type		Clear Red Blue Ivory Black Yellow	Cap SK2AA00540 Keytop SK2AA00310 SK2AA00320 SK2AA00330 SK2AA00340 SK2AA00350 Keytop + Cap SK2AA00360 SK2AA00370 SK2AA00380 SK2AA00390 SK2AA00400	

Notes

1. The knob will be delivered together with the switch but packed separately.
2. The label is not included.
3. For SK2AA00010 to SK2AA00090 types, please check the mounting direction.

