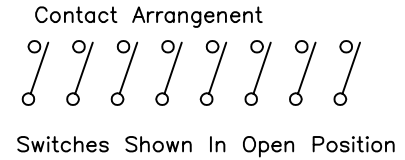
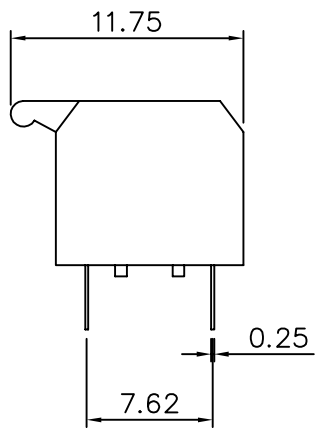
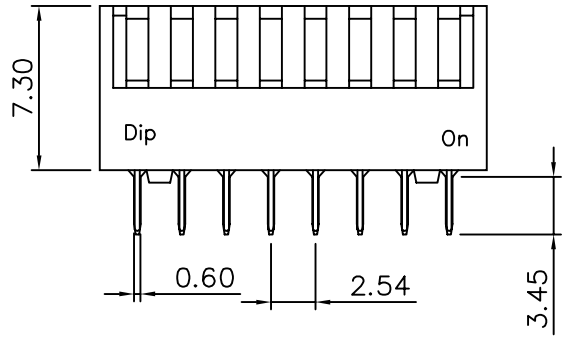


| Position | DIM A | DIM B |
|----------|-------|-------|
| 02 | 6.60 | 2.54 |
| 03 | 9.14 | 5.08 |
| 04 | 11.68 | 7.62 |
| 05 | 14.22 | 10.16 |
| 06 | 16.76 | 12.70 |
| 07 | 19.30 | 15.24 |
| 08 | 21.80 | 17.78 |
| 09 | 24.38 | 20.32 |
| 10 | 26.92 | 22.88 |
| 12 | 32.00 | 27.94 |



DRAWING No.
SW07P

APPROVED BY
MEI
 CHECKED BY
RAN
 DRAWING BY
HZF

UNLESS OTHERWISE SPECIFIED
 TOLERANCES ARE
 .X ±0.38
 .XX ±0.12
 .XXX ±0.05

SCALE NONE REV. A UNIT mm

| AREA | REVISIONS | CHK | DATE |
|------|-----------|-----|------|
| | | | |
| | | | |
| | | | |
| | | | |