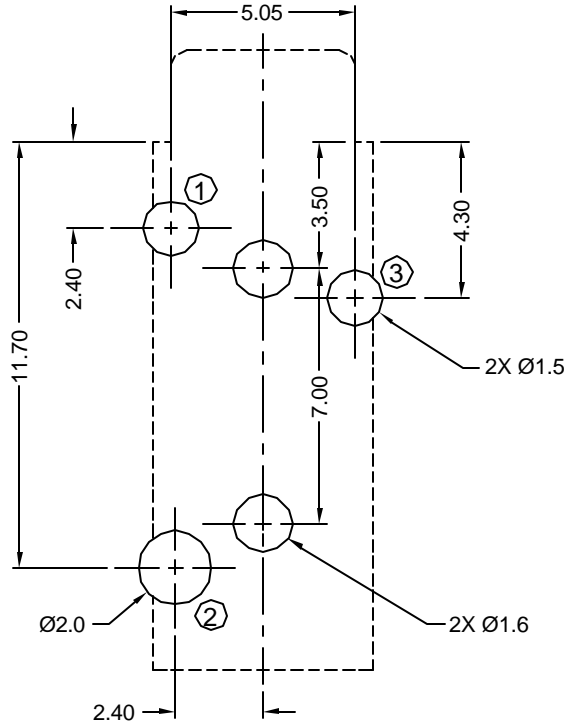


Insulator color: Light Blue (Pantone 284C)
(See PC99 spec)



Recommended PCB Layout
(Top View)

Materials and Finish

Housing: LCP, Light Blue color
Pantone 284C
UL 94V-0 Rated

Terminals: Copper Alloy,
Silver Plating all over
Nickel Underplating

Mechanical Characteristics

Insertion Force:
3.0kg Max.

Extraction Force:
0.2kg Min.

Durability: 5000 mating cycles

Electrical Characteristics

Contact Resistance:
Before Test: 50 milliohms Max.
After Durability Test:
100 milliohms Max.

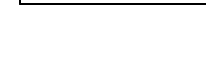
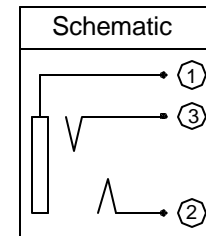
Rated Voltage:
16 V DC

Rated Current:
0.3A

Insulation Resistance:
100 Megohms Min.
at 500V DC

Dielectric Strength:
500V AC RMS for 1 minute

Operating Temp:
-25°C to +85°C



Tolerances
X.X ± 0.25
X.XX ± 0.15
Unless Stated Otherwise

REVISION	DATE	DESCRIPTION	DRAWN BY	CHECKED BY	UNITS
A3	11/5/02	ECD #02-119	K. Wallace	H. MA	mm
B1	02/24/04	ECD #04-014	REVISED BY	CHECK DATE	DATE
B2	07/18/05	ECD #05-032	R.Aquirre	7/18/05	6/24/99

ST-3501-3N-284C

Stereo Jack, 3 position, PC99

All Plastic Body, Rt. Ang, Thru Hole

