

Gas Discharge Tube: GF3 Series

SMD L4.5*W3.2*H2.7 mm



■ Features

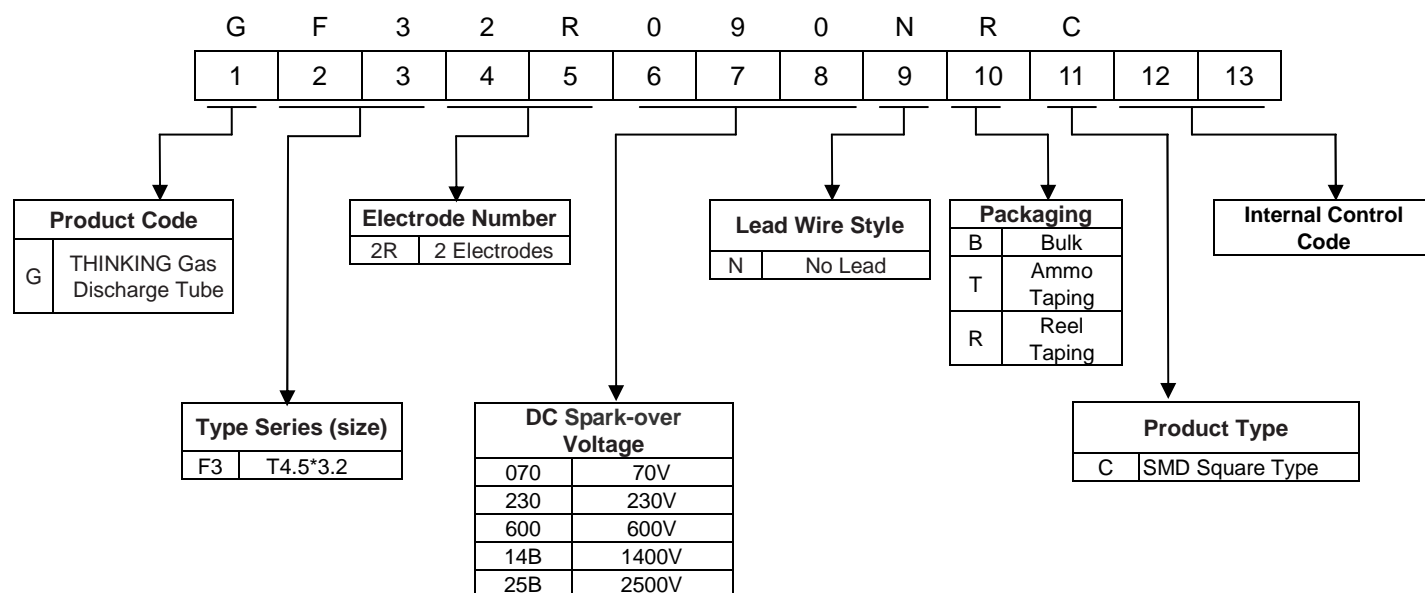
1. RoHS compliant
2. DC spark-over voltage: 75~600V
3. Low capacitance
4. Agency recognition :UL



■ Recommended Applications

1. Data transmission lines
2. Communication lines
3. CATV system
4. Power distribution system
5. Power supplier
6. Test equipment
7. Instrumentation circuits

■ Part Number Code



Gas Discharge Tube: GF3 Series

SMD L4.5*W3.2*H2.7 mm

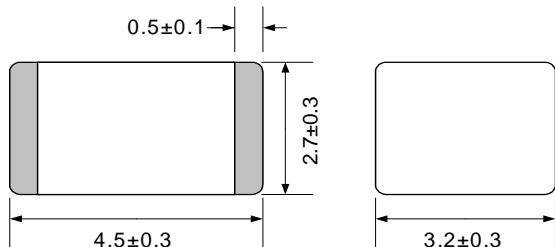


■ Characteristics

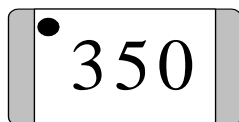
Model	DC Breakdown Voltage	Impulse Discharge Current	Impulse Withstanding Voltage Capacity	Impulse Life	Minimum Insulation Resistance	Maximum Capacitance	Safety Approvals
	(100V/S)	(8/20 μ s)	(Times)	8/20 us,100A	(@DC 100V)	(1MHz)	UL 497B
	(V)	(KA)		(Times)	(M Ω)	(pF)	
GF32R075NRC	75 \pm 20%	2	10/700us 4kV (Positive/Negative 5 Times)	300	Min. 100	0.5	
GF32R090NRC	90 \pm 20%						√
GF32R120NRC	120 \pm 20%						√
GF32R150NRC	150 \pm 20%						√
GF32R200NRC	200 \pm 20%						√
GF32R230NRC	230 \pm 20%						√
GF32R300NRC	300 \pm 20%						√
GF32R350NRC	350 \pm 20%						√
GF32R400NRC	400 \pm 20%						√
GF32R420NRC	420 \pm 20%						√
GF32R470NRC	470 \pm 20%						√
GF32R500NRC	500 \pm 20%						√
GF32R600NRC	600 \pm 20%						√

Note1: UL / 497B → File No. E245070

■ Dimension

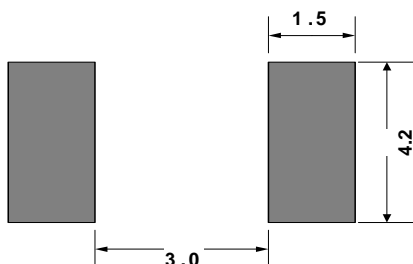


■ Marking



■ Recommended Pad Size

(unit:mm)



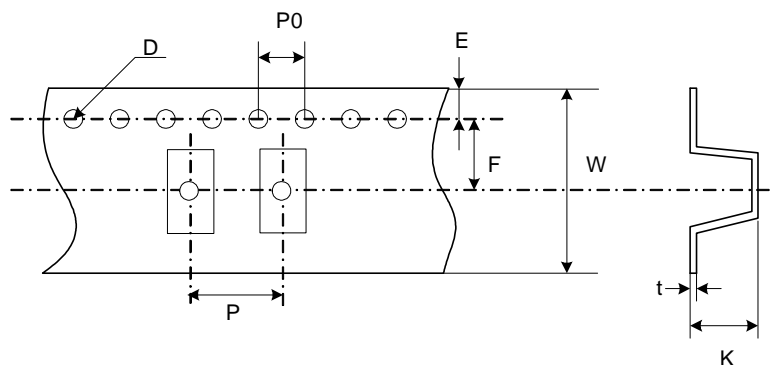
Gas Discharge Tube: GF3 Series

SMD L4.5*W3.2*H2.7 mm



■ Packaging

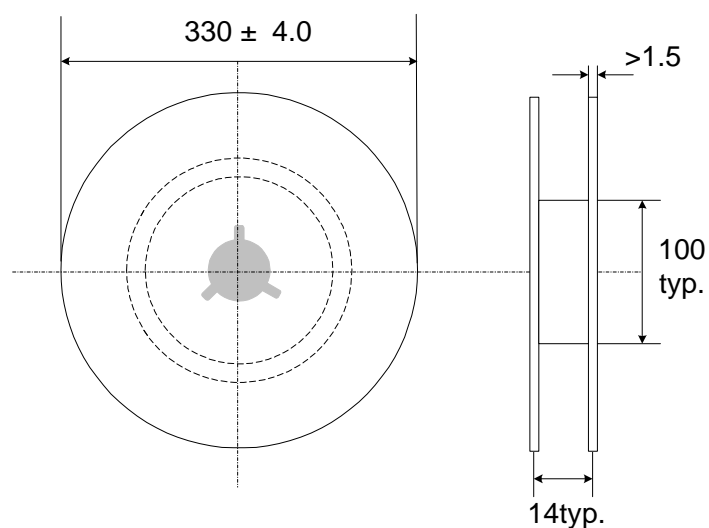
● Taping



Quantity : 3000pcs per reel (13")

Unit: mm

ITEM	P	P0	W	F	E	D	K	t
Spec.	8.0	4.0	12.0	5.45	1.75	Φ1.55	3.5	0.3
Tol.	±0.1	±0.1	±0.3	±0.1	±0.1	±0.05	±0.2	±0.1



■ Storage Conditions of GDT

(I) Storage conditions:

1. Storage temperature: -10°C ~ +40°C .
2. Relative humidity: ≤75%RH.
3. Gas discharge tube must be kept away from sunlight and stored in a non-corrosive atmosphere.

(II) Shelf life: 1 year