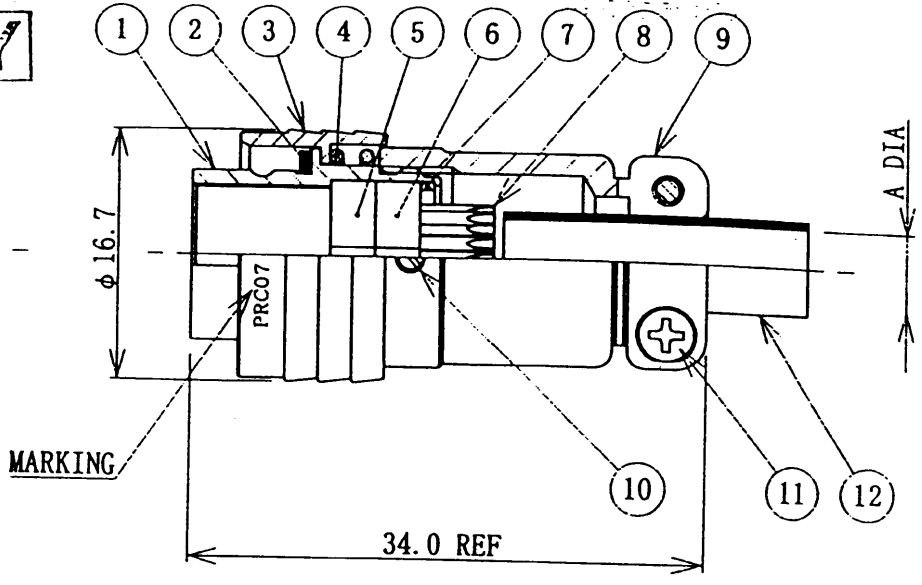
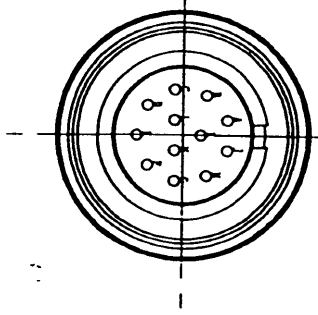


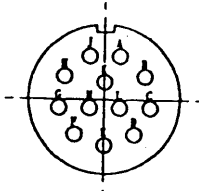
REF. ONLY



NOTES

1. CHARACTERISTICS
 DIELECTRIC WITHSTANDING VOLTAGE : 300V rms AT SEA LEVEL.
 INSULATION RESISTANCE : 1000MΩ MIN AT 100V D.C.
 CONTACT RESISTANCE : 10mΩ MAX D.C. 1A MAX
2. RATING
 VOLTAGE RATING : 100V rms MAX AT SEA LEVEL
 CURRENT RATING : 2A MAX
3. SOLDER BUCKET SIZE : 0.5 DIA
4. A DIA : φ 6.2 (φ 5.2)
 * () SLEEVE AT FITTING
5. MARKING : PRC07 T. M. W PAT

NUMBER OF CONTACT
(VIEW ON TERMINATION
SIDE OF INSULATOR)



1	2	SLEEVE	VINYL CHLORIDE	—	1	
1	1	CROSS RECESSED HEAD SCREW	BRASS	NICKEL PLATED	2	
1	0	SLOTTED SET SCREW	STEEL	NICKEL PLATED	1	
9		REAR SHELL	BRASS	NICKEL PLATED	1	
8		SOCKET CONTACT	BERYLLIUM COPPER ALLOY	GOLD FLASH OVER NICKEL PLATED	1	2
7		FERRULE	BRASS	NICKEL PLATED	1	
6		REAR INSULATOR	PBT RESIN	—	1	
5		FRONT INSULATOR	PBT RESIN	—	1	
4		SPRING	PIANO WIRE	NICKEL PLATED	1	
3		SLIDE RING	BRASS	NICKEL PLATED	1	
2		GASKET	SILICONE RUBBER	—	1	
1		INSERT SHELL	BRASS	NICKEL PLATED	1	
品番 ITEM		部 品 名 DESCRIPTION	材 質 MATERIAL	处 理 TREATMENT	数 量 QTY	備 考 REMARKS

記号 SYM	変 更 REVISION	第三角法 PROJECTION	尺 度 SCALE 2 / 1	(I.M.W) TAJIMI ELECTRONICS CO.,LTD.	
			單位 UNITS mm	製 図 DRAWN S. SATO	DATE 12. JAN. 1999
		交 差 TOLERANCES ON ANGLE . X . XX		設 計 ENGR T. Waki	DATE 13. JAN. 1999
		仕 様 番 号 SPEC No		検 査 CHK T. Waki	DATE 13. JAN. 1999
				承 認 APPD K. Yagi	DATE 13. JAN. 1999
				PRC07-P12F	
				PRC07-1003	
				変更REV 1	
				SHEET	