

# MEGAFAN

THE NEW FAN GENERATION

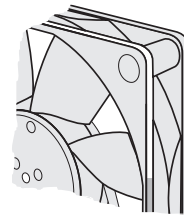


- DC fans with electronically commutated external rotor motors. Fully integrated commutation electronics.
- With electronic protection against reverse polarity, blocking and overloading by PTC-resistor; partially impedance protected.
- Fan of fibreglass reinforced plastic. PBTP housing, PA impeller.
- Air exhaust over struts. Rotational direction CCW looking at rotor.
- Electrical connection via 2 leads AWG 24, TR 64. Stripped and tinned ends
- Mass 175 g.

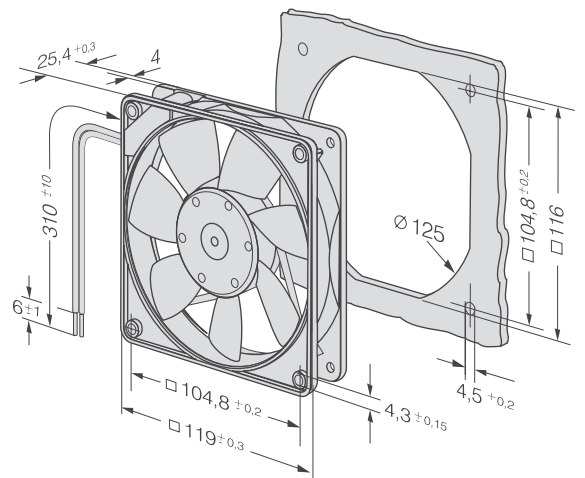
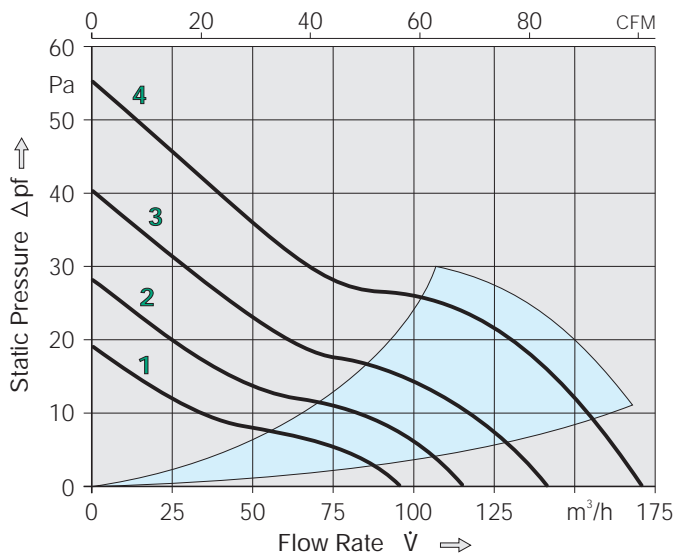
## SERIES 4400 F

119x119x25mm

Air flow		Nominal Voltage		Noise		Sintec-Sleeve Bearings	Power Input	Nominal Speed	Temperature Range	Service Life L <sub>10</sub>		Curve	Type
m <sup>3</sup> /h	CFM	V DC	V DC	dB(A)	bels	○/●	Watt	min <sup>-1</sup>	°C	Hours	Hours		
94	55.3	12	7...14	26	3.9	○	1.25	1600	-20...+75	80000 / 35000		1	4412FGL
114	67.1	12	7...12.6	32	4.3	○	2.0	1950	-20...+75	75000 / 32500		2	4412FGML
140	82.4	12	7...12.6	38	4.8	○	3.2	2400	-20...+75	70000 / 30000		3	4412FGM
140	82.4	12	7...12.6	38	4.8	●	3.2	2400	-20...+75	70000 / 30000		3	4412FM
140	82.4	24	12...28	38	4.8	●	3.2	2400	-20...+75	70000 / 30000		3	4414FM
170	100.1	24	12...28	43	5.3	●	5.0	2900	-20...+75	62500 / 27500		4	4414F
170	100.1	48	43...56	43	5.3	●	6.5	2900	-20...+60	52500 / 30000		4	4418F

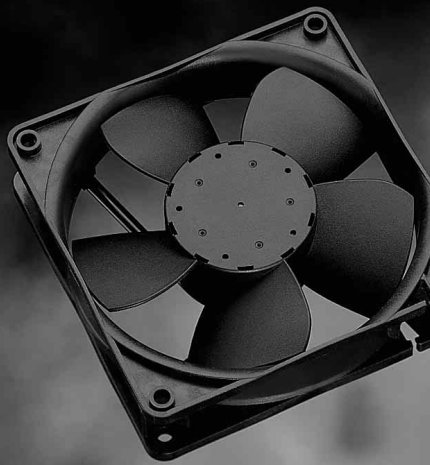


Available on request:  
Fan housing with stiffening ribs. For mounting over both flanges.



# MEGAFAN

THE NEW FAN GENERATION



- DC fans with electronically commutated external rotor motors. Fully integrated commutation electronics.
- With electronic protection against reverse polarity, blocking and overloading; partially impedance protected.

- Fan of fibreglass reinforced plastic. PBTP housing, PA impeller.
- Air exhaust over struts. Rotational direction CCW looking at rotor.
- Electrical connection via leads AWG 22, TR 64. Stripped and tinned ends
- Mass 240 g.

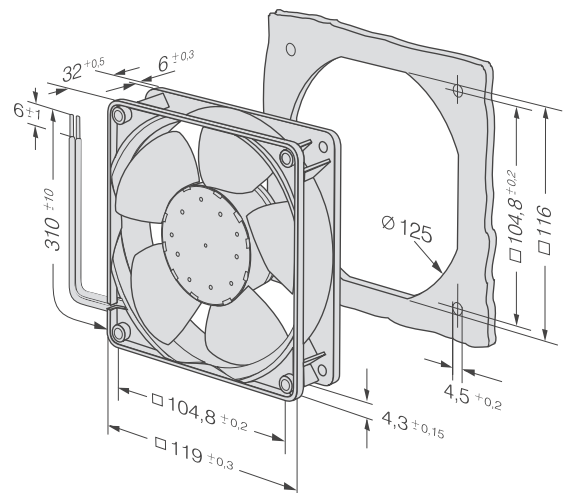
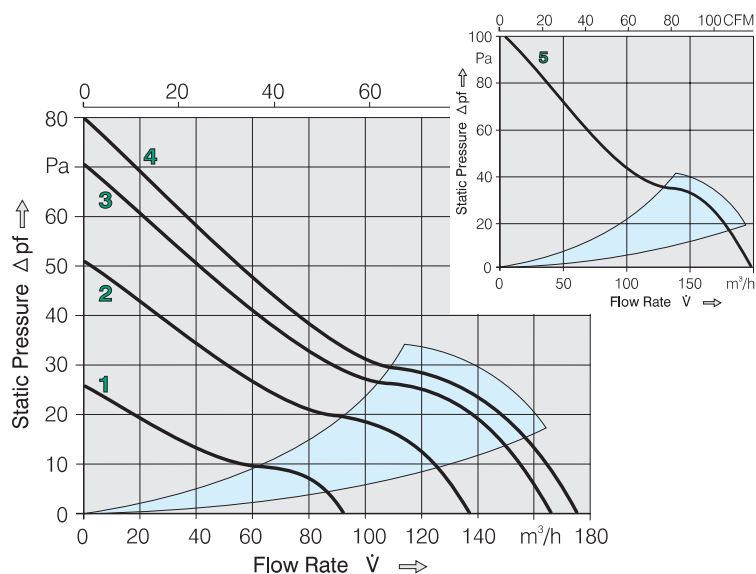
## SERIES 4300N

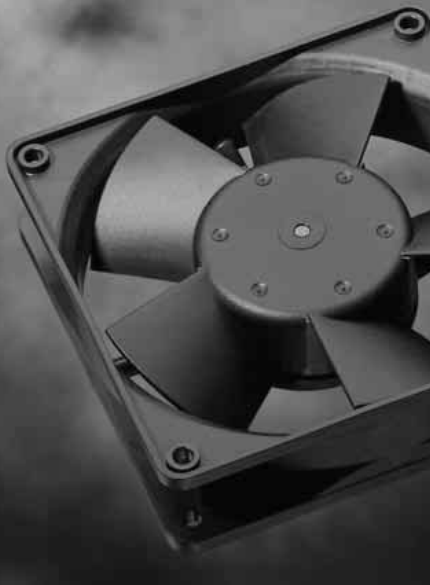
119x119x32 mm

Air flow		Nominal Voltage		Noise	Sinter-Sleeve Bearings Ball Bearings	Power Input	Nominal Speed	Temperature Range	Service Life L <sub>10</sub>		Curve	Type
m <sup>3</sup> /h	CFM	V DC	V DC						dB(A)	Watt		
93	54.7	12	7...14.5	28	4.1	1.2	1650	-20...+70	80000 / 40000		1	4312NGL
137	80.6	12	7...14.5	37	5.1	2.6	2450	-20...+70	70000 / 35000		2	4312NGM
166	97.7	12	7...14.5	43	5.6	4.0	3000	-20...+70	60000 / 30000		3	4312NGN
176	103.4	12	7...14.5	45	5.8	4.7	3150	-20...+70	60000 / 30000		4	4312NGH
198	116.5	12	7...14.5	49	6.2	6.5	3600	-20...+70	57500 / 25000		5	4312NGHH
93	54.7	24	12...28	28	4.1	1.2	1650	-20...+70	80000 / 40000		1	4314NGL
137	80.6	24	12...28	37	5.1	2.6	2450	-20...+70	70000 / 35000		2	4314NGM
166	97.7	24	12...28	43	5.6	4.0	3000	-20...+70	60000 / 30000		3	4314NGN
176	103.4	24	12...28	45	5.8	4.7	3150	-20...+70	60000 / 30000		4	4314NGH
198	116.5	24	12...28	49	6.2	6.5	3600	-20...+70	57500 / 25000		5	4314NGHH

Optional:

- Ball bearing versions available shortly





- DC fans with electronically commutated external rotor motors. Fully integrated commutation electronics.
- With electronic protection against reverse polarity, blocking and overloading by PTC-resistor; partially impedance protected.
- Fan of fibreglass reinforced plastic. PBTP housing, PA impeller.
- Air exhaust over struts. Rotational direction CW looking at rotor.
- Electrical connection via leads AWG 22, TR 64. Stripped and tinned ends
- Mass 220 g.

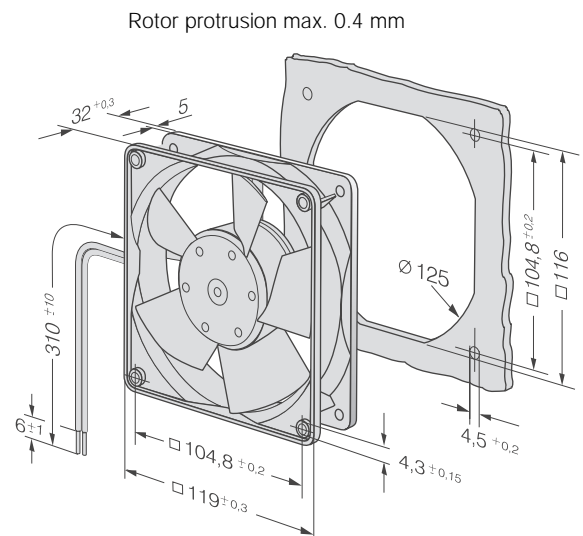
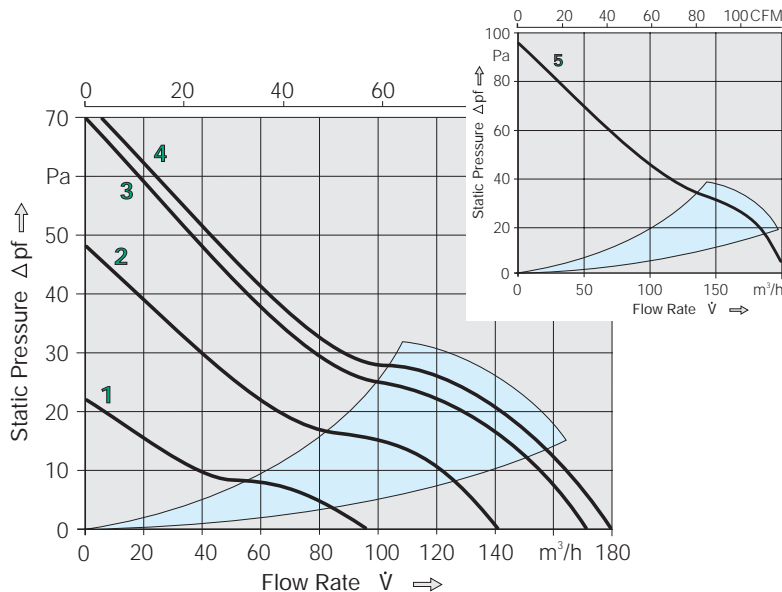
## SERIES 4300

119x119x32mm

Air flow		Nominal Voltage		Noise		Sintec-Sleeve Bearings	Power Input	Nominal Speed	Temperature Range	Service Life L <sub>10</sub> at 40 °C		Curve	Type
m <sup>3</sup> /h	CFM	V DC	V DC	dB(A)	bels	○/●	Watt	min <sup>-1</sup>	°C	Hours	Hours		
95	55.9	12	6...15	30	4.3	○	1.2	1550	-20...+75	80000 / 35000		1	<b>4312GL</b>
95	55.9	12	6...15	30	4.3	●	1.2	1550	-20...+75	80000 / 35000		1	<b>4312L</b>
140	82.4	12	6...15	39	5.3	○	2.6	2300	-20...+75	70000 / 30000		2	<b>4312GM</b>
140	82.4	12	6...15	39	5.3	●	2.6	2300	-20...+75	70000 / 30000		2	<b>4312M</b>
170	100.1	12	6...15	45	5.8	○	5.0	2800	-20...+75	62500 / 27500		3	<b>4312G</b>
170	100.1	12	6...15	45	5.8	●	5.0	2800	-20...+75	62500 / 27500		3	<b>4312</b>
180	105.9	12	6...15	47	6.1	●	5.8	3000	-20...+75	57500 / 25000		4	<b>4312-143</b>
204	120.1	12	6...13.2	51	6.4	●	8.5	3400	-20...+75	47500 / 20000		5	<b>4312-179</b>
95	55.9	24	12...28	30	4.3	●	1.2	1550	-20...+75	80000 / 35000		1	<b>4314L</b>
140	82.4	24	12...28	39	5.3	●	2.6	2300	-20...+75	70000 / 30000		2	<b>4314M</b>
170	100.1	24	12...28	45	5.8	○	5.0	2800	-20...+75	62500 / 27500		3	<b>4314G</b>
170	100.1	24	12...28	45	5.8	●	5.0	2800	-20...+75	62500 / 27500		3	<b>4314</b>
180	105.9	24	12...28	47	6.1	●	5.8	3000	-20...+75	57500 / 25000		4	<b>4314-147</b>
204	120.1	24	12...26.5	51	6.4	●	9.5	3400	-20...+75	45000 / 20000		5	<b>4314-180</b>
170	100.1	48	36...53	45	5.8	●	5.0	2800	-20...+75	62500 / 27500		3	<b>4318</b>

### Attention:

In the foreseeable future the 4300 fan series will be removed from the range and replaced by the products of the new series 4300 N.





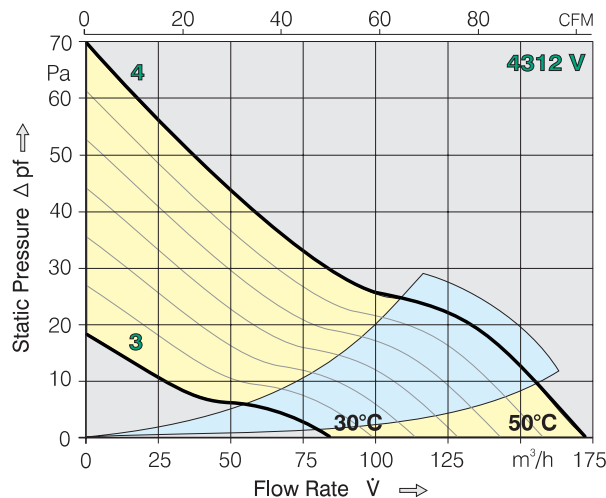
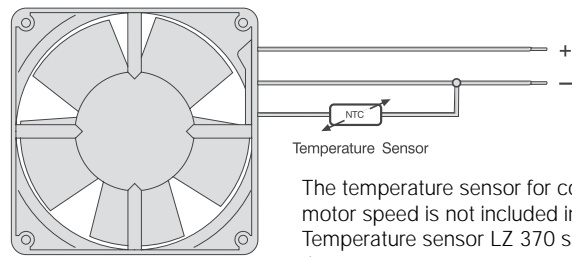
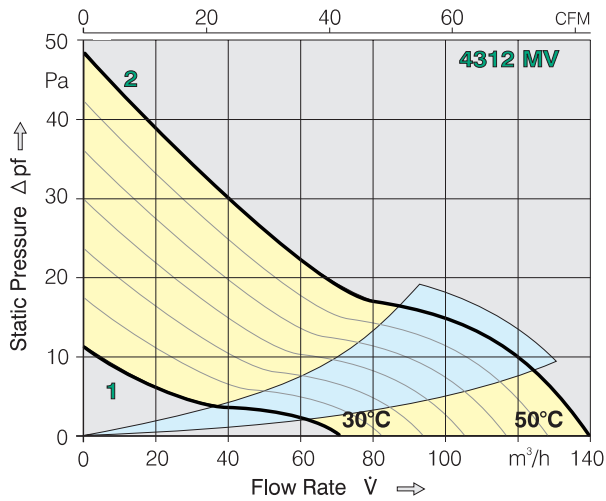
- DC fans with electronically commutated external rotor motors. Fully integrated commutation electronics.
- With electronic protection against reverse polarity, blocking and overloading by PTC-resistor; partially impedance protected.

- Fan of fibreglass reinforced plastic. PBTP housing, PA impeller.
- Air exhaust over struts. Rotational direction CW looking at rotor.
- Electrical connection via 3 leads AWG 22, TR 64. Stripped and tinned ends
- Mass 220 g.

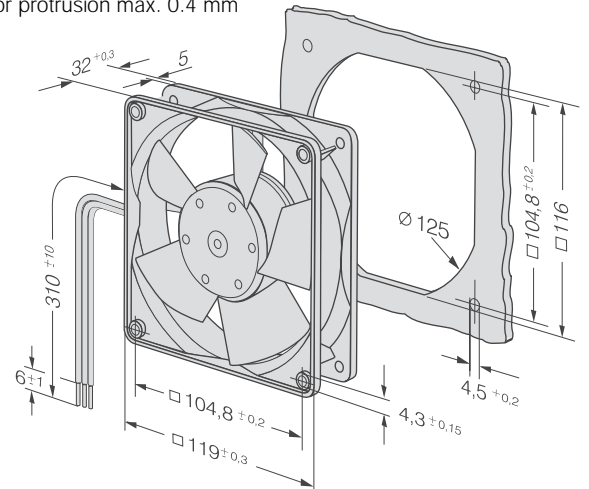
## SERIES 4300 VARIOFAN

119x119x32mm

	Air flow		Nominal Voltage		Noise		Sinter-Sleeve Bearings Ball Bearings	Power Input	Nominal Speed	Temperature Range	Service Life L <sub>10</sub> at 40 °C		Curve	Type
	m <sup>3</sup> /h	CFM	V DC	V DC	dB(A)	bels					Hours	Hours		
30-50 °C	<b>70</b>	41.2	12	8...12.6	22	3.7	●	1.4	1 150	-20...+65	70000 / 37500	1	<b>4312MV</b>	
	<b>140</b>	82.4			39	5.3		3.4	2 300					
30-50 °C	<b>85</b>	50.0	12	8...12.6	29	4.2	●	1.8	1 400	-20...+65	65000 / 35000	3	<b>4312V</b>	
	<b>170</b>	100.0			45	5.8		5.4	2 800					4

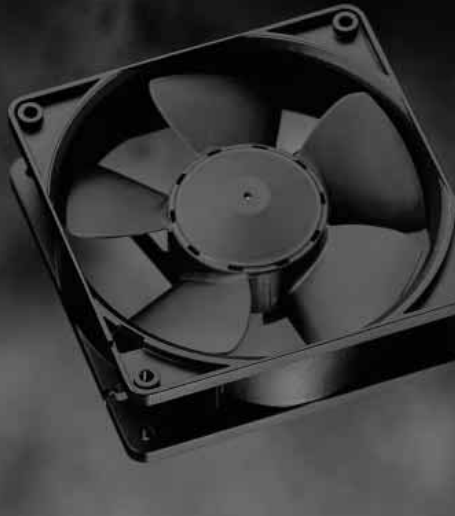


Rotor protrusion max. 0.4 mm



# MEGAFAN

THE NEW FAN GENERATION



- DC fans with electronically commutated external rotor motors. Fully integrated commutation electronics.
- With electronic protection against reverse polarity, blocking and overloading; partially impedance protected.

- Fan of fibreglass reinforced plastic. PBTP housing, PA impeller.
- Air exhaust over struts. Rotational direction CCW looking at rotor.
- Electrical connection via 2 leads AWG 22, TR 64. Stripped and tinned ends
- Mass 240 g.

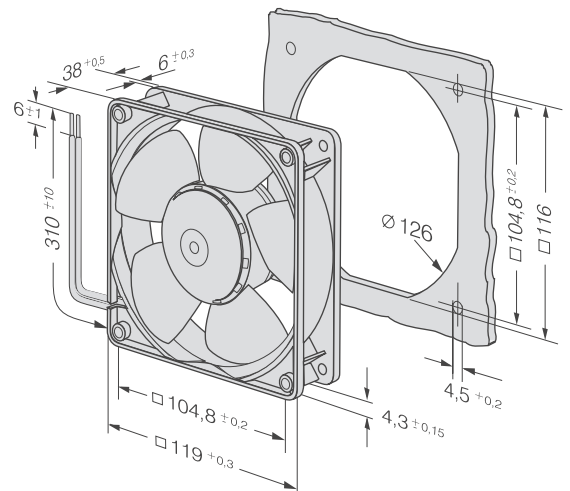
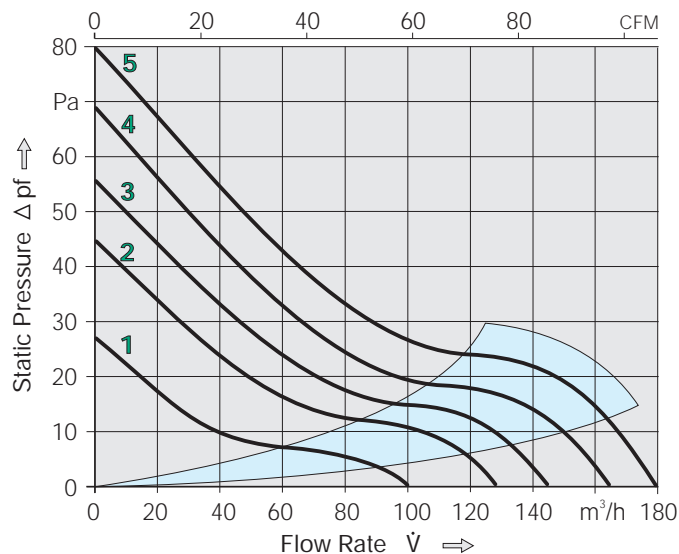
## SERIES 4200N

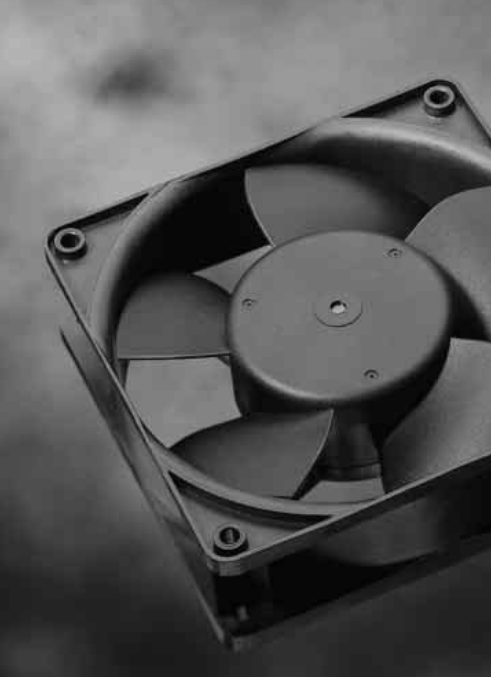
119x119x38mm

Air flow		Nominal Voltage		Noise		Sinter-Sleeve Bearings	Power Input	Nominal Speed	Temperature Range	Service Life L <sub>10</sub> at 40 °C		Curve	Type
m <sup>3</sup> /h	CFM	V DC	V DC	dB(A)	bels	○/●	Watt	min <sup>-1</sup>	°C	Hours	Hours		
100	58.9	12	7...14.5	28	4.3	○	1.4	1700	-20...+70	80000 / 40000		1	4212NGL
127	74.8	12	7...14.5	35	4.8	○	2.2	2150	-20...+70	70000 / 35000		2	4212NGML
144	84.8	12	7...14.5	38	5.1	○	3.0	2450	-20...+70	70000 / 35000		3	4212NGM
165	97.1	12	7...14.5	42	5.4	○	4.0	2750	-20...+70	60000 / 30000		4	4212NGN
180	105.9	12	7...14.5	45	5.7	○	5.0	3050	-20...+70	60000 / 30000		5	4212NGH
100	58.9	24	12...28	28	4.3	○	1.4	1700	-20...+70	80000 / 40000		1	4214NGL
127	74.8	24	12...28	35	4.8	○	2.2	2150	-20...+70	70000 / 35000		2	4214NGML
144	84.8	24	12...28	38	5.1	○	3.0	2450	-20...+70	70000 / 35000		3	4214NGM
165	97.1	24	12...28	42	5.4	○	4.0	2750	-20...+70	60000 / 30000		4	4214NGN
180	105.9	24	12...28	45	5.7	○	5.0	3050	-20...+70	60000 / 30000		5	4214NGH
180	105.9	48	36...56	45	5.7	○	5.0	3050	-20...+70	60000 / 30000		5	4218NGH

Optional:

- Ball bearing version available shortly
- Varied speeds with high flow rate





- DC fans with electronically commutated external rotor motors. Fully integrated commutation electronics.
- With electronic protection against reverse polarity, blocking and overloading by PTC-resistor; partially impedance protected.
- Fan of fibreglass reinforced plastic. PBTP housing, PA impeller.
- Air exhaust over struts. Rotational direction CCW looking at rotor.
- Electrical connection via 2 leads AWG 22, TR 64. Stripped and tinned ends
- Mass 290 g.

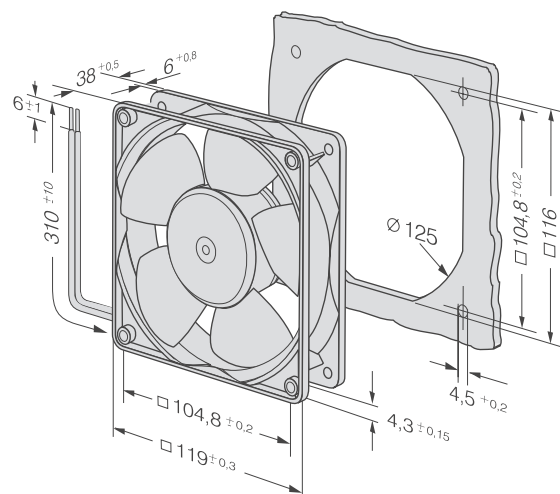
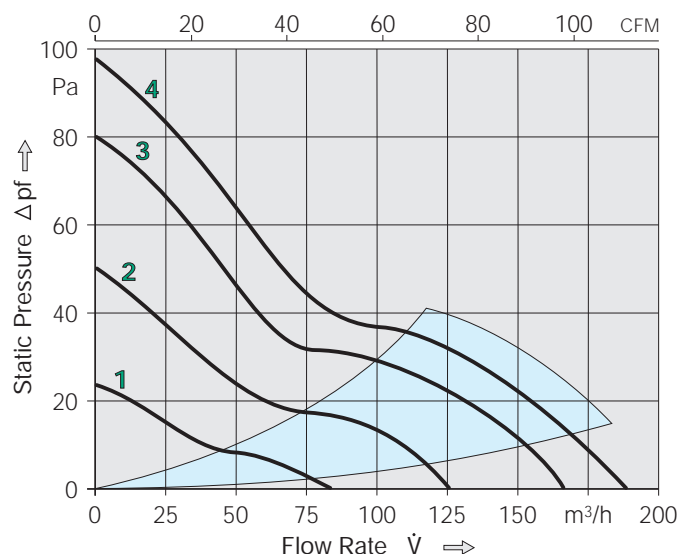
## SERIES 4200

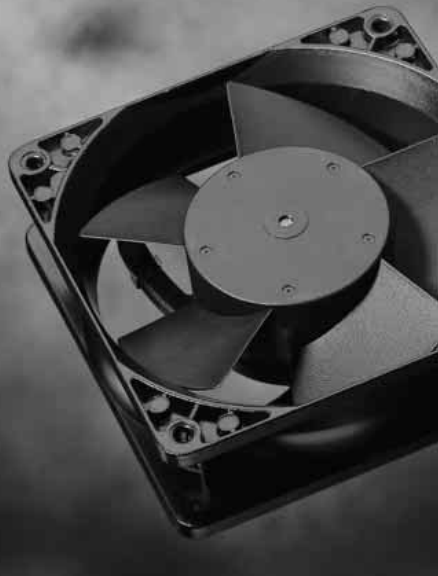
119x119x38mm

Air flow		Nominal Voltage		Noise		Sinter-Sleeve Bearings	Power Input	Nominal Speed	Temperature Range	Service Life L <sub>10</sub> at 40 °C		Curve	Type
m <sup>3</sup> /h	CFM	V DC	V DC	dB(A)	bels	○/●	Watt	min <sup>-1</sup>	°C	Hours	Hours		
86	50.6	12	7...14.5	29	4.2	●	1.2	1600	-20...+75	80000 / 35000		1	4212L
127	74.7	12	7...14.5	38	4.9	○	2.2	2350	-20...+75	70000 / 30000		2	4212GM
127	74.7	12	7...14.5	38	4.9	●	2.2	2350	-20...+75	70000 / 30000		2	4212M
165	97.1	12	7...14.5	45	5.6	●	4.3	3050	-20...+75	62500 / 27500		3	4212
184	108.3	12	7...14.5	49	5.9	●	5.3	3400	-20...+65	60000 / 32500		4	4212H
86	50.6	24	12...28	29	4.2	●	1.2	1600	-20...+75	80000 / 35000		1	4214L
165	97.1	24	12...28	45	5.6	○	4.3	3050	-20...+75	62500 / 27500		3	4214G
165	97.1	24	12...28	45	5.6	●	4.3	3050	-20...+75	62500 / 27500		3	4214
184	108.3	24	12...28	49	5.9	○	5.3	3400	-20...+65	60000 / 32500		4	4214GH
184	108.3	24	12...28	49	5.9	●	5.3	3400	-20...+65	60000 / 32500		4	4214H
165	97.1	48	36...56	45	5.6	●	4.3	3050	-20...+75	62500 / 27500		3	4218
184	108.3	48	36...56	49	5.9	●	5.6	3400	-20...+65	60000 / 32500		4	4218H

### Attention:

In the foreseeable future the 4200 fan series will be removed from the range and replaced by the products of the new series 4200N.





- DC fans with electronically commutated external rotor motors. Fully integrated commutation electronics.
- With electronic protection against reverse polarity, blocking and overloading by PTC-resistor; partially impedance protected.
- Metal fan housing. Impeller of fibre-glass reinforced plastic PA. Housing with ground lug for screw M4.
- Air intake over struts. Rotational direction CW looking at rotor.
- Electrical connection via 2 flat pins 2,8 x 0,5 mm.
- Mass 390 g.

## SERIES 4100

119x119x38mm

Air flow		Nominal Voltage		Noise		Sinter-Sleeve Bearings	Power Input	Nominal Speed	Temperature Range	Service Life L <sub>10</sub> at 40 °C		Curve	Type
m <sup>3</sup> /h	CFM	V DC	V DC	dB(A)	bels	○/●	Watt	min <sup>-1</sup>	°C	Hours	Hours		
<b>160</b>	94.2	<b>12</b>	7...15	44	5.3	○	3.5	2800	-10...+75	85000 / 37500		1	<b>4182NGX</b>
<b>180</b>	105.9	<b>12</b>	7...15	49	5.7	●	4.5	3200	-30...+75	85000 / 37500		2	<b>4182NX</b>
<b>160</b>	94.2	<b>24</b>	12...30	44	5.3	○	3.5	2800	-10...+75	85000 / 37500		1	<b>4184NGX</b>
<b>180</b>	105.9	<b>24</b>	12...29	49	5.7	●	4.5	3200	-30...+75	85000 / 37500		2	<b>4184NX</b>
<b>237</b>	139.5	<b>24</b>	12...25	59	6.5	●	11	4400	-30...+55	70000 / 50000		3	<b>4184NXH</b>
<b>160</b>	94.2	<b>48</b>	36...56	44	5.3	●	3.5	2800	-30...+75	85000 / 37500		1	<b>4188NXM</b>

⊕ 48V Type with grounding screw M4x8 (TORX).

