



CONNOR-WINFIELD CORPORATION

Aurora, IL. 60505
 PHONE (708) 851-4722
 FAX (708) 851-5040
 CABLE: CONWINWCGO.

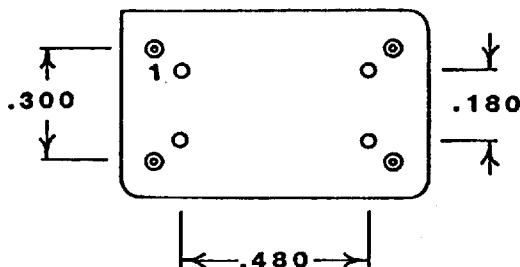
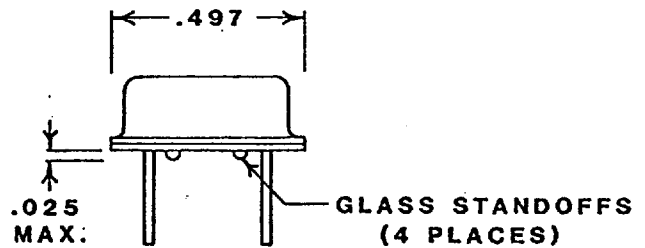
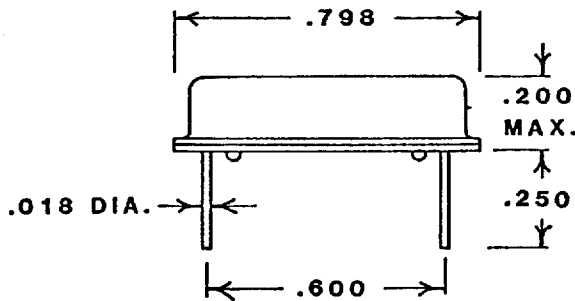
OSCILLATORS

LOW FREQUENCY

CMOS DIP

MODELS C14R6 & C15R6

SPECIFICATIONS	C14R6	C15R6
Fixed Frequencies Available	<1Hz to 200Hz	
Frequency Tolerance	±.005%	±.01%
Temperature Range	-25°C to +75°C	0°C to +70°C
Output	CMOS Squarewave Duty Cycle: 50/50 ±1%	
Supply Voltage	+5 to +15Vdc	
Supply Current	3 to 20mA	
Package	All metal, hermetically sealed, welded package.	



PIN	CONNECTION
1	N/C
7	GROUND
8	OUTPUT
14	(+) SUPPLY

Dimensional Tolerance: ±.005
 All Dimensions in Inches