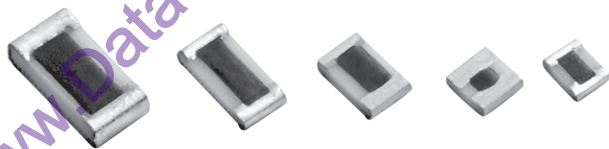


Thick Film Chip Resistors



STANDARD ELECTRICAL SPECIFICATIONS

MODEL	RESISTANCE RANGE (Ohms)	POWER RATING* (mW)
CR1	100 - 500K	100
CR5050	100 - 500K	100
CR2	100 - 1M	200
CR3	100 - 1M	250
CR1010	100 - 1M	450
CR1206	100 - 1M	300
CR4	100 - 1M	325
CR5	100 - 1M	525
CR2010	100 - 1M	575

*Higher values available. Please consult our application engineer at 909-923-3313.

FEATURES

- Flow solderable.
- Custom sizes available.
- Burn-in data available.
- Automatic placement capability.
- Top and wraparound terminations.
- Tape and reel packaging available.
- Internationally standardized sizes.

ELECTRICAL SPECIFICATIONS

Resistance Range: 100 ohms to 1 Megohm (Higher values available).

Resistance Tolerance: $\pm 1\%$, $\pm 2\%$, $\pm 5\%$, $\pm 10\%$, $\pm 20\%$.

Temperature Coefficient: (- 55°C to + 150°C)

$\pm 100\text{ppm}/^\circ\text{C}$: Standard thru 1 Megohm.

$\pm 200\text{ppm}/^\circ\text{C}$: 1.1 Megohms thru 10 Megohms.

Power Rating: 100mW thru 575mW.

Short Time Overload: Less than 0.5% ΔR .

MECHANICAL SPECIFICATIONS

Construction: 96% alumina substrate with proprietary cermet resistance element and specified termination material.

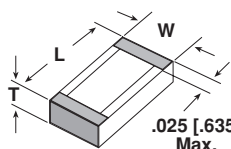
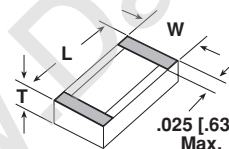
ENVIRONMENTAL SPECIFICATIONS

Operating Temperature: - 55°C to + 150°C.

Moisture Resistance: Less than .5% change when tested per Method 106 of MIL-STD-202.

Life: Less than 1% change when tested per Method 108D (+ 85°C) of MIL-STD-202.

DIMENSIONS in inches [millimeters]

Termination Style A (3 sided wraparound)	Termination Style B (Top conductor only)	MODEL	LENGTH (L)* ± 0.006 [0.152]	WIDTH (W)* ± 0.006 [0.152]	THICKNESS (T)* ± 0.002 [0.051]
		CR1	0.050 [1.27]	0.040 [1.02]	0.012 [0.305]
		CR5050	0.050 [1.27]	0.050 [1.27]	0.010 [0.254]
		CR2	0.075 [1.90]	0.050 [1.27]	0.015 [0.381]
		CR3	0.100 [2.54]	0.050 [1.27]	0.015 [0.381]
		CR1010	0.100 [2.54]	0.100 [2.54]	0.020 [0.508]
		CR1206	0.125 [3.18]	0.062 [1.57]	0.025 [0.635]
		CR4	0.150 [3.81]	0.050 [1.27]	0.015 [0.381]
		CR5	0.225 [5.72]	0.075 [1.90]	0.015 [0.381]
		CR2010	0.200 [5.08]	0.100 [2.54]	0.020 [0.508]

*All dimensions are before solder coating.

ORDERING INFORMATION

CR MODEL	5050 SIZE	A TERMINATION STYLE	A TERMINATION MATERIAL	1001 VALUE	F TOLERANCE	100 TCR	S2 SOLDER TERMINATION
CR = Standard		A = 3 sided B = Top only C = 5 sided	A = Palladium Silver B = Platinum Gold C = Gold D = Platinum Silver E = Palladium Gold	The first 3 digits are significant figures. Last digit specifies the number of zeros to follow. Example: 1001 = 1 kilohm.	F = $\pm 1\%$ G = $\pm 2\%$ J = $\pm 5\%$ K = $\pm 10\%$ M = $\pm 20\%$	100 = $\pm 100\text{ppm}/^\circ\text{C}$ 150 = $\pm 150\text{ppm}/^\circ\text{C}$ 200 = $\pm 200\text{ppm}/^\circ\text{C}$ 350 = $\pm 350\text{ppm}/^\circ\text{C}$	S2 = Sn62