

380-3375

# 8TO SERIES

## P.C.B. MOUNT STRAIGHT D-SUBMINIATURE CONNECTORS

### FEATURES

- The contact is a round pin and the pin insertion hole in the insulator is of the closed entry type, so that the connection is secure and reliable.
- The contacts are precision stamped or machined.
- Insulator is made of P.B.T. and glass fiber reinforced (UL 94V-0) providing superior heat and chemical resistance.
- Available contacts with 9, 15, 25, 37 and 50 positions.

### PERFORMANCE CHARACTERISTICS

#### ELECTRICAL :

- **Current Rating**  
: 5 Amp
- **Dielectric Withstanding Voltage**  
: AC 1000 V min. (For 1 minute)
- **Insulation Resistance**  
: 5000 MΩ min. (At 500V DC)
- **Contact Resistance**  
: 15 mΩ max. mated
- **Working Temperature**  
: - 55°C to + 105°C

#### MECHANICAL :

- **Insulator Material**  
: P.B.T. and glass fiber reinforced (UL 94V-0)
- **Contact Material**  
: Plug ... Brass  
Socket ... Phosphor Bronze  
Gold over nickel in contact area
- **Shell Material**  
: Steel, Tin or Zinc plated
- **Durability**  
: 100 Cycles min.
- **Mating and Unmating Force**  
Contact Numbers 9 15 25 37 50  
Mating Force 4.6 7.7 12.7 17.7 22.2 (Kgf max.)  
Unmating Force 0.4 0.5 0.8 1.2 1.5 (kgf min.)

### • ORDERING INFORMATION

8TO 009 PM- 3 4 1 S

**Series Number :**  
8TO... P.C.B. mount  
straight  
D-Subminiature  
connector

**Number of Contacts :**  
009... 9 Positions  
015... 15 Positions  
025... 25 Positions  
037... 37 Positions  
050... 50 Positions

**Contact Types :**  
PM... Machined contact(Plug)  
SM... Machined contact(Receptacle)  
PS... Stamped contact(Plug)  
SS... Stamped contact(Receptacle)

**Color Codes :**  
3... Black 4... White

**Contact Finish :**  
0... Selected gold flash over 50 μ " nickle  
2... 15 μ " Selected gold flash over 50 μ " nickle  
3... 30 μ " Selected gold flash over 50 μ " nickle  
4... Gold flash all over  
5... 15 μ " Gold all over  
6... 30 μ " Gold all over

**Metal Shell finished :**  
1... Tin plated shell with grounding indents  
\* 2... Yellow chromate over zinc plated shell  
\* 3... Yellow chromate With grounding indents  
4... Tin plated shell without grounding indents

**Mounting Types :**  
S... Standard hole  
T... with 4#-40 UNC thread thru hole and 5mm height stand off  
B... With φ 3.20mm thru hole and 5mm height stand off

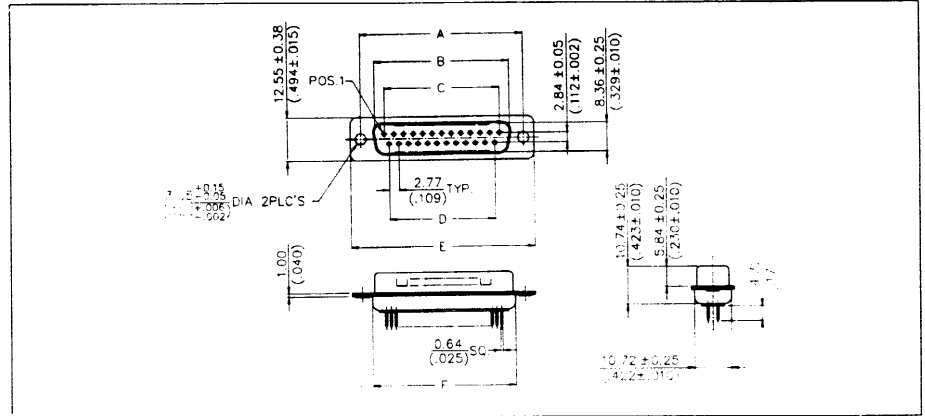
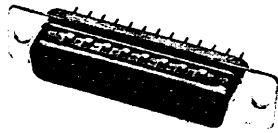
\* ... Minimum order will be required

# 8T0 SERIES

## P.C.B. MOUNT STRAIGHT D-SUBMINIATURE CONNECTORS

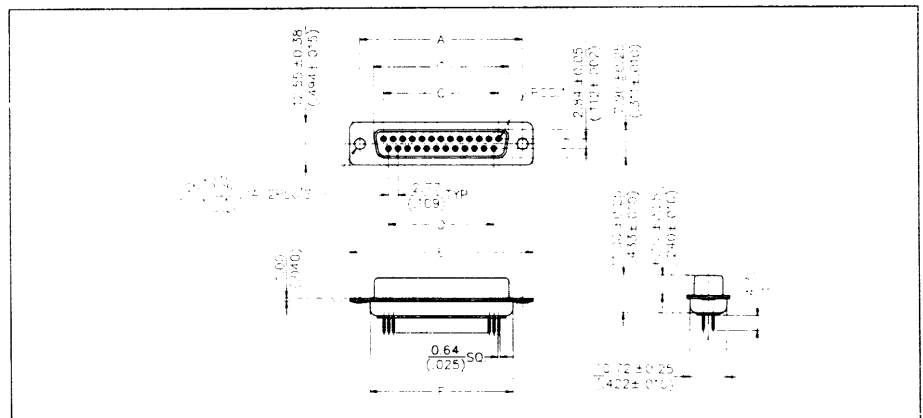
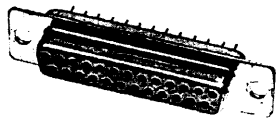
### MALE — 9, 15, 25, 37 Positions

Unit : Millimeter (Inch)



### FEMALE — 9, 15, 25, 37 Positions

Unit : Millimeter (Inch)



### DIMENSIONS — 9, 15, 25, 37 Positions

Unit : Millimeter (Inch)

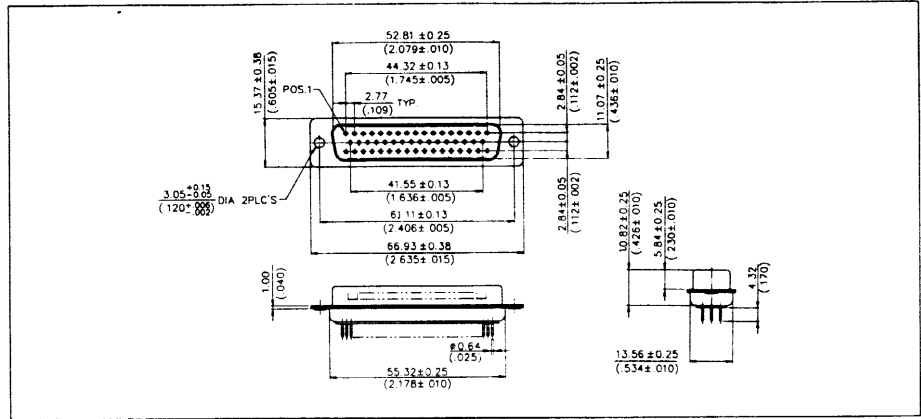
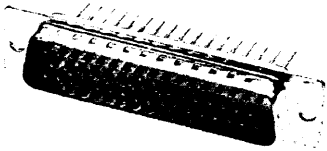
Number of Positions	A	B	C	D	E	F	G
	±0.13(0.005)	±0.25(0.010)	±0.13(0.005)	±0.13(0.005)	±0.38(0.015)	±0.25(0.010)	±0.25(0.010)
9	24.99(0.984)	16.92(0.666)	10.96(0.431)	8.22(0.324)	30.89(1.216)	19.28(0.759)	16.33(0.643)
15	33.32(1.312)	25.25(0.994)	19.18(0.755)	16.44(0.647)	39.10(1.539)	27.51(1.083)	24.66(0.971)
25	47.04(1.852)	38.96(1.534)	33.24(1.309)	30.47(1.200)	53.09(2.090)	41.30(1.625)	38.38(1.511)
37	63.50(2.500)	55.25(2.175)	49.86(1.963)	47.09(1.854)	69.40(2.732)	57.71(2.272)	54.84(2.159)

# 8T0 SERIES

## P.C.B. MOUNT STRAIGHT D-SUBMINIATURE CONNECTORS

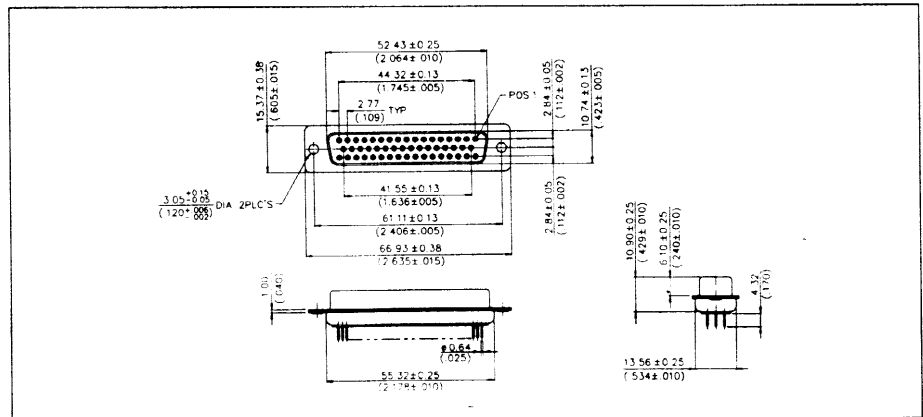
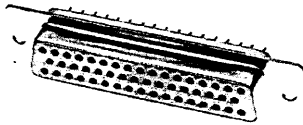
### MALE — 50 Positions

Unit : Millimeter (Inch)



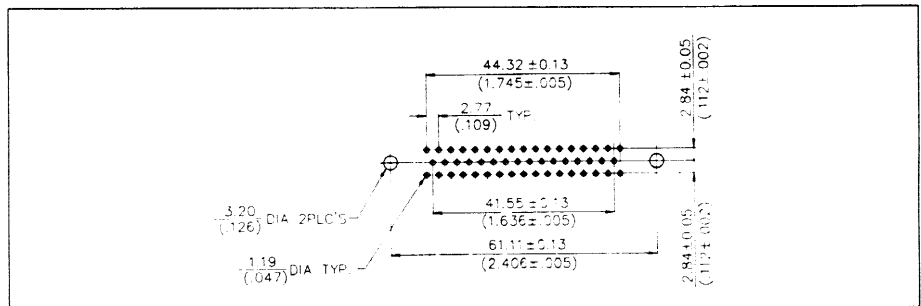
### FEMALE — 50 Positions

Unit : Millimeter (Inch)



### P.C.B. LAYOUT — 50 Positions

Unit : Millimeter (Inch)

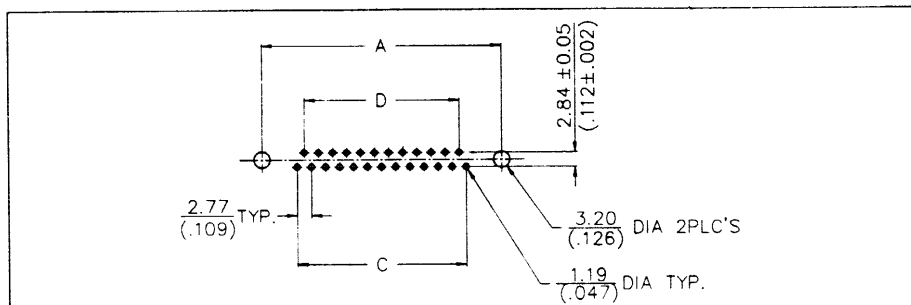


# 8T0 SERIES

## P.C.B. MOUNT STRAIGHT D-SUBMINIATURE CONNECTORS

### P.C.B. LAYOUT — 9, 15, 25, 37 Positions

Unit : Millimeter (Inch)



### DIMENSIONS

Unit : Millimeter (Inch)

Number of Positions	A	C	D
	±0.13(0.005)	±0.13(0.005)	±0.13(0.005)
9	24.99(0.984)	10.96(0.431)	8.22(0.324)
15	33.32(1.312)	19.18(0.755)	16.44(0.647)
25	47.04(1.852)	33.24(1.309)	30.47(1.200)
37	63.50(2.500)	49.86(1.963)	47.09(1.854)