



FM 1008/1108/1208/1408 FRAM®

1,024-Bit to 16,384-Bit Nonvolatile Static RAM Family

Product Preview

T-46-23-12

Features

- True Nonvolatile CMOS Static RAM with >10 Year Data Retention Without Power
- Endurance Rated at >10¹⁰ Read/Write Cycles Per Bit
- Fully Synchronous Operation with Latched Address and Data
 - 100ns Maximum Read Access Time
 - 200ns Maximum Read/Write Cycle Times
- Single 5 Volt ±10% Supply with CMOS/TTL Compatible I/O
- Low Power Operation
 - 150mW Active Dissipation at 5MHz
 - 50µw Static Dissipation
- On-Chip Low Voltage Data Protection
- Fully Compatible and Upgradable Family in JEDEC Standard 24-Pin Packaging
 - 128 x 8
 - 256 x 8
 - 512 x 8
 - 2048 x 8

Description

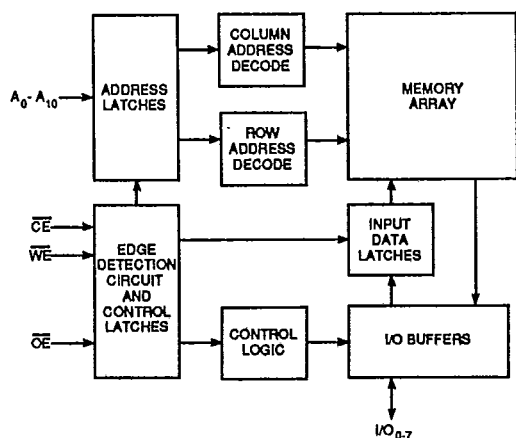
The FM 1008, 1108, 1208 and 1408 are a family of nonvolatile 128 x 8, 256 x 8, 512 x 8 and 2048 x 8 CMOS synchronous static FRAM® memories (Ferroelectric Random Access Memories). Nonvolatility, the retention of data without power, is achieved by utilizing the ability of a ferroelectric material to maintain a stable polar state after removal of an applied electric field. Ramtron incorporates a proprietary lead-zirconate-titanate (PZT) ceramic thin film to fabricate the nonvolatile bistable ferroelectric storage cells used in all its FRAM products.

The FRAM memories function as a conventional CMOS synchronous static RAM with the sole exception that upon a loss of power, data is retained virtually indefinitely. No store or recall cycles are required since the ferroelectric storage cells are updated on each access cycle with a minimum endurance of 10¹⁰ read/write cycles per bit before a bit failure.

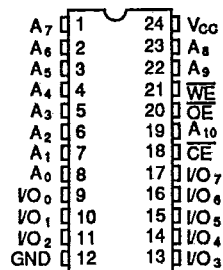
The memories are intended for application in a broad range of commercial, industrial, aerospace and defense systems, wherein a small amount of writeable, nonvolatile memory is required and the performance limitations of EEPROM technology, magnetics or battery back-up of volatile memory are not acceptable.

The memories operate from a single 5 volt supply with ±10% tolerance and are TTL/CMOS compatible at all inputs and outputs. An on-chip data protection circuit disables the memory operation when V_{cc} is below +3.0 volts. Operation is fully synchronous with all operations initiated by a high-to-low transition at the CE input. Read and write cycles are symmetrical at 200ns maximum with a maximum read access time of 100ns. Power dissipation is very low since no power is consumed to retain data other than the normal leakage currents of the CMOS circuitry. The memories utilize JEDEC approved byte-wide pinouts and are offered in industry standard 24-pin DIP and SOP packaging.

Functional Diagram



Pin Configuration



Pin Assignments

Part	Organization	Pin 1	Pin 23	Pin 22	Pin 19
FM 1008	128 x 8	NC	NC	NC	NC
FM 1108	256 x 8	A ₇	NC	NC	NC
FM 1208	512 x 8	A ₇	A ₈	NC	NC
FM 1408	2048 x 8	A ₇	A ₈	A ₉	A ₁₀

Pin Names

Pin Names	Function
A ₀ - A ₁₀	Address Inputs
I/O ₀ - I/O ₇	Data Input/Output
$\overline{\text{CE}}$	Chip Enable
$\overline{\text{WE}}$	Write Enable
$\overline{\text{OE}}$	Output Enable
V _{CC}	+5 Volts
GND	Ground
NC	No Connect

Absolute Maximum Ratings

Description	Ratings
Ambient Storage or Operating Temperature to Guarantee Nonvolatility of Stored Data	0° to +70° C
Voltage on any Pin with Respect to Ground	-1.0 to +7.0V

E.S.D. Characteristics

Symbol	Parameter	Value
V _{ZAP} (1)	E.S.D. Tolerance	> 2000 Volts

(1) Characterized to MIL-STD-883 test method 3015, not tested.

AC Conditions of Test

AC Conditions	Test
Input Pulse Levels	0 to 3 V
Input Rise and Fall Time	10ns
Input and Output Timing Levels	1.5V
Output Load	1 TTL Gate and CL = 100pF

DC Operating Conditions TA = 0° to 70°C, V_{CC} = 5V +/- 10% Unless Otherwise Noted

Symbol	Parameters	Min	Max	Test Condition
I _{CC}	Power Supply Current – Standby		10uA	$\overline{\text{CE}}$ High, All Inputs Stable at V _{CC} or V _{SS} , I _{I/O} = 0mA
I _{CC}	Power Supply Current – Active		16mA	V _{CC} = Max, $\overline{\text{CE}}$ = V _{IL} , I _{I/O} = 0mA
I _{LI}	Input Load Current		10uA	V _{IN} = GND to V _{CC}
I _{LO}	Output Leakage Current		10uA	V _{OUT} = GND to V _{CC}
V _{IL}	Input Low Voltage	-1V	0.8V	
V _{IH}	Input High Voltage	2.0V	V _{CC} +1V	
V _{OL}	Output Low Voltage		0.4V	I _{OL} = 4.2mA
V _{OH}	Output High Voltage	2.4V		I _{OH} = -2mA

Mode Selection

\overline{CE}	\overline{WE}	\overline{OE}	I/O	Mode
H	X	X	Output High-Z	Non-Selected
L	H	H	Output High-Z	Tri-State
L	H	L	Output Data	Read
L	L	H	Input Data	Write

Capacitance

TA = 25°C, f = 1.0 MHz, V_{CC} = 5V

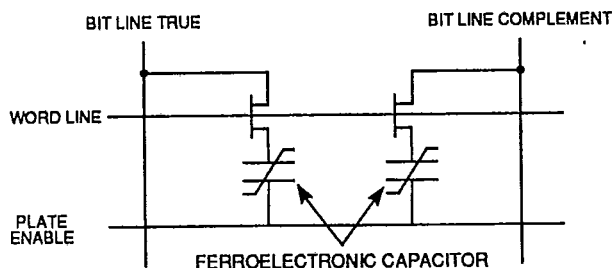
Parameter	Description	Max	Test Condition
C _{I/O} (1)	Input/Output Capacitance	8pF	V _{I/O} = 0V
C _{IN} (1)	Input Capacitance	6pF	V _{I/O} = 0V

(1) This Parameter is periodically sampled and not 100% tested.

Theory of Operation

The FM 1008, 1108, 1208, and 1408 FRAM memories use a two transistor, two capacitor memory cell structure illustrated below.

Dual Memory Capacitor Cell



During a write operation, data is transferred from the I/O pins to the bit lines (true and complement). When the word line pass transistor is enabled, the data at the selected address is applied to the ferroelectric capacitor. The plate enable signal is pulsed to polarize the data in one of the two stable

states of the ferroelectric material. The information stored in the polarized capacitor is retained until the next memory reference to this cell without refreshing or maintaining the power supply. Therefore, the FRAM acts as a nonvolatile static RAM.

To read the memory, the selected memory cell address pass transistors connect the ferroelectric capacitor to the bit lines. The memory sense amplifier differentially senses the difference in current between polarized and unpolarized cells to detect the data value. The data value is transferred to the I/O buffer. Since the memory reference is destructive, the data is restored to the cell by re-polarizing the cell.

The amount of polarization energy stored by the capacitor decreases as a function of the number of polarization cycles. After a minimum of 10¹⁰ cycles, the energy level can no longer be reliably detected and the memory bit will fail. It is important that the read and write statistics of the memory application be understood so that a memory bit failure does not occur during the normal lifetime of the system. Due to the statistical nature of memory endurance, system level memory bit error detection and correction can greatly extend the effective endurance.

Power-Down/Power-Up Conditions

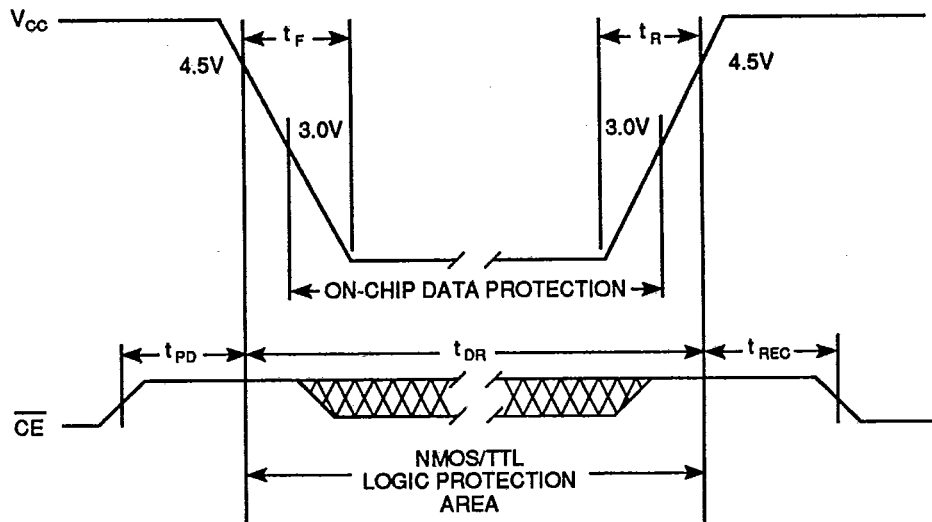
The memory stores data in its nonvolatile ferroelectric memory cells during normal operation. Therefore, no special store or recall operations are required. Care must be taken during power sequencing to prevent data loss resulting from memory operations during out of spec voltage conditions. This is managed by detecting power failure with sufficient time to disable memory operation time t_{PD} prior to V_{CC} reaching its lower specification, +4.5 volts. During power-up, the memory operation should be disabled until time t_{REC} after V_{CC} reaches its operating voltage, +4.5 volts.

The memory has an on-chip data protection circuit which prevents memory operation when V_{CC} is less than +3.0 volts. This will protect the data in CMOS systems where the system control logic continues to function to +3.0 volts. However, external circuitry is required in systems with NMOS or TTL control logic to force CE

to a high level between $V_{CC} = +4.5 - +3.0$ volts to prevent false memory operations from being initiated by the system control logic during this unspecified voltage range. There are a number of precision DC voltage detector circuits available to implement this function.

Times t_F and t_R are the typical rise and fall times used during memory retention testing. Time t_{DR} is the data retention time of the nonvolatile memory. The memory will retain its information during power losses of this duration. Data retention time is periodically sampled during production but cannot be tested on each part.

Power-Down/Power-Up Conditions



Power-Down/Power-Up AC Parameters

Symbol	Parameter	Min	Typ	Max	Min	Typ	Max	Min	Typ	Max	Unit
		-100			-150			-200			
t_{PD}	Chip Enable Stable to Power-Down		75	100		110	150		150	200	ns
t_{REC}	Power-Up to Chip Enable		75	100		110	150		150	200	ns
t_F	Power Supply Fall Time (+4.5 to 0 Volts)		100			100			100		ms
t_R	Power Supply Rise Time (0 to +4.5 Volts)		100			100			100		ms
t_{DR} (1)	Data Retention		>10			>10			>10		Years

(1) This Parameter is periodically sampled and not 100% tested.

Read Cycle Operation

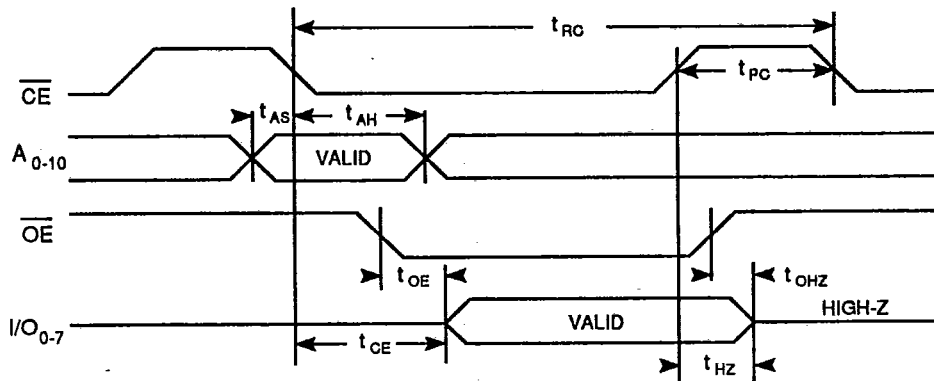
The memory operates synchronously using the \overline{CE} signal as the clock. The memory read cycle time t_{RC} is measured between falling edges of \overline{CE} . The memory requires a minimum precharge time t_{PC} to precharge the internal busses between operations.

The memory latches the address internally on the falling edge of \overline{CE} . The address data must meet a minimum setup time t_{AS} and hold time t_{AH} relative to a clock edge. Read data is valid a minimum

access time t_{CE} after the beginning of the read cycle. The \overline{OE} signal is used to gate the data to the I/O pins. It must be enabled time t_{OE} prior to the time data is required on the I/O pins. Output data remains valid on the outputs until disabled by either the rising edge of \overline{OE} or \overline{CE} . The output becomes hi-Z after time t_{HZ} from the \overline{CE} signal and time t_{OHZ} from the \overline{OE} signal. The \overline{WE} signal is high during the entire read operation.

Read Cycle Timing

$\overline{WE} = V_{IH}$



Read Cycle AC Parameters $T_A = 0^\circ$ to $70^\circ C$, $V_{CC} = 5V \pm 10\%$ Unless Otherwise Noted

Symbol	Parameter	Min	Typ	Max	Min	Typ	Max	Min	Typ	Max	Unit
		-100			-150			-200			
t_{RC}	Read Cycle Time		150	200		220	300		300	400	ns
t_{PC}	Precharge Time		75	100		110	150		150	200	ns
t_{AS}	Address Setup Time	0			0			0			ns
t_{AH}	Address Hold Time		10			15			20		ns
t_{CE}	Chip Enable Access Time		75	100		110	150		150	200	ns
t_{OE}	Output Enable Access Time		30			40			50		ns
t_{HZ}	Chip Enable to Output Hi-Z		30			30			30		ns
t_{OHZ}	Output Enable to Output Hi-Z		20			20			20		ns

Write Cycle Operation

The memory operates synchronously using the \overline{CE} signal as a clock. The memory write cycle time t_{WC} is measured between falling edges of \overline{CE} . The memory requires a minimum precharge time t_{PC} to precharge the internal busses between operations.

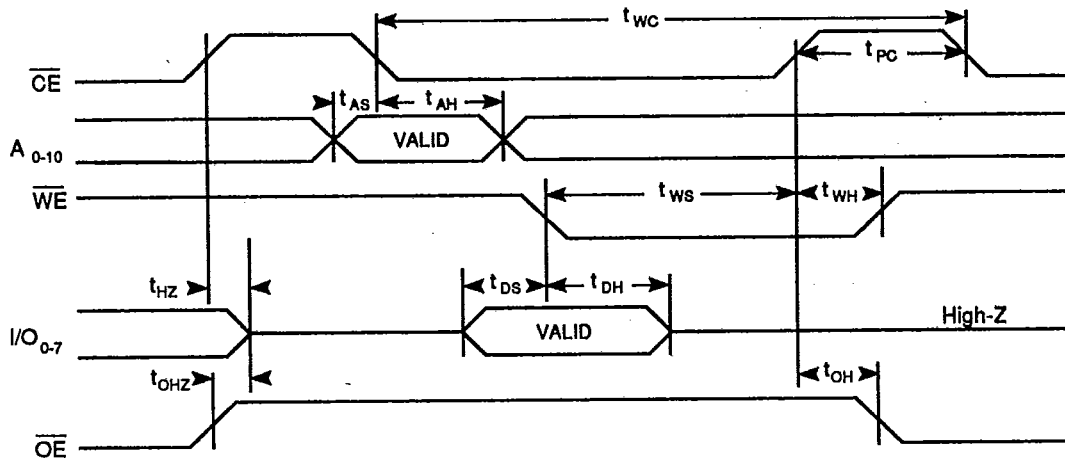
The memory latches the addresses internally on the falling edge of \overline{CE} . The address data must meet a minimum setup time t_{AS} and hold time t_{AH} relative to the clock edge. The write data is latched internally by the falling edge of the later of the \overline{WE} and \overline{CE} signals.

In the case of a \overline{WE} controlled write cycle, the data must be valid on the I/O pins time t_{DS} prior to the falling edge of \overline{WE}

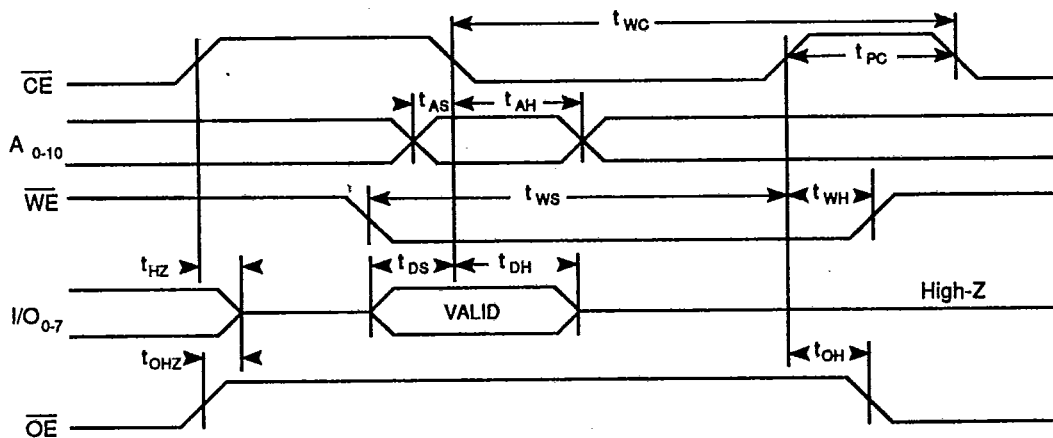
and held time t_{DH} after \overline{WE} . \overline{WE} must be stable time t_{WS} prior to the rising edge of \overline{CE} and be held time t_{WH} after the rising edge of \overline{CE} . The \overline{OE} signal must disable the chip outputs time t_{OHZ} prior to placing data on the I/O pins to prevent a data conflict. \overline{OE} must remain disabled until time t_{OH} after the rising edge of \overline{CE} .

In the case of a \overline{CE} controlled write, the data must be valid on the I/O pins time t_{DS} prior to falling edge of \overline{CE} and held time t_{DH} following the falling edge of \overline{CE} .

\overline{WE} Controlled Write Timing



\overline{CE} Controlled Write Timing



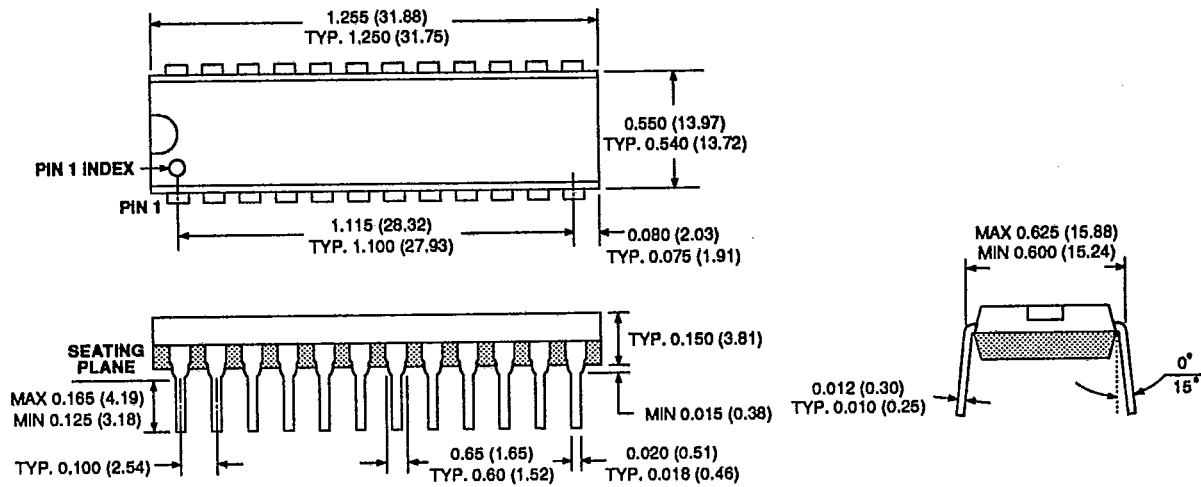
Write Cycle AC ParametersTA = 0° to 70°C, V_{CC} = 5V +/- 10% Unless Otherwise Noted

Symbol	Parameter	Min	Typ	Max	Min	Typ	Max	Min	Typ	Max	Unit
		-100			-150			-200			
t _{WC}	Write Cycle Time		150	200		220	300		300	400	ns
t _{PC}	Precharge Time		75	100		110	150		150	200	ns
t _{AS}	Address Setup Time	0			0			0			ns
t _{AH}	Address Hold Time		10			15			20		ns
t _{WS}	Write Enable Setup Time		75	100		110	150		150	200	ns
t _{WH}	Write Enable Hold Time	0			0			0			ns
t _{DS}	Data Setup Time	0			0			0			ns
t _{DH}	Data Hold Time		10			15			20		ns
t _{HZ}	Chip Enable to Output Hi-Z		30			40			50		ns
t _{OHZ}	Output Enable to Output Hi-Z		20			20			20		ns
t _{OH}	Output Enable Hold Time	0			0			0			ns

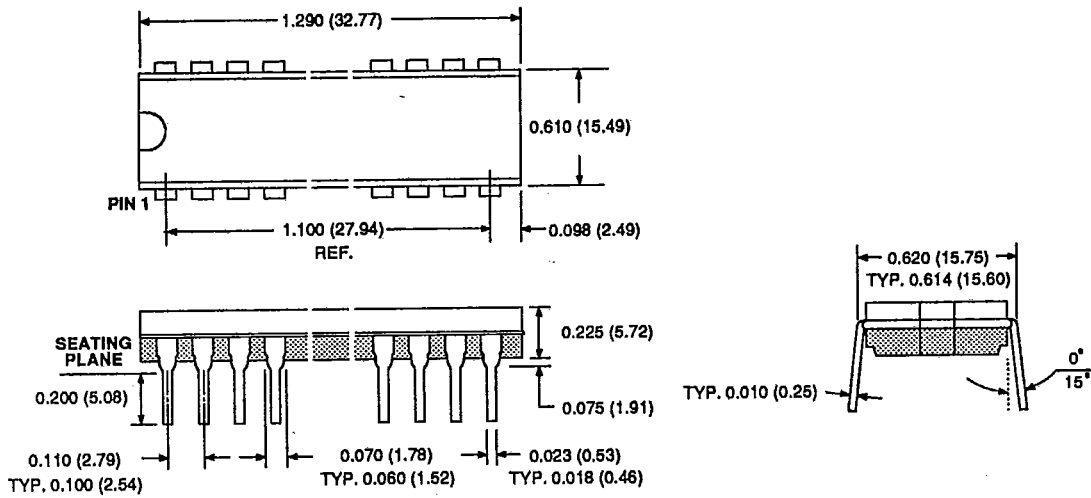
Packaging Information

Maximum dimensions in inches. Metric dimensions in millimeter shown in parenthesis

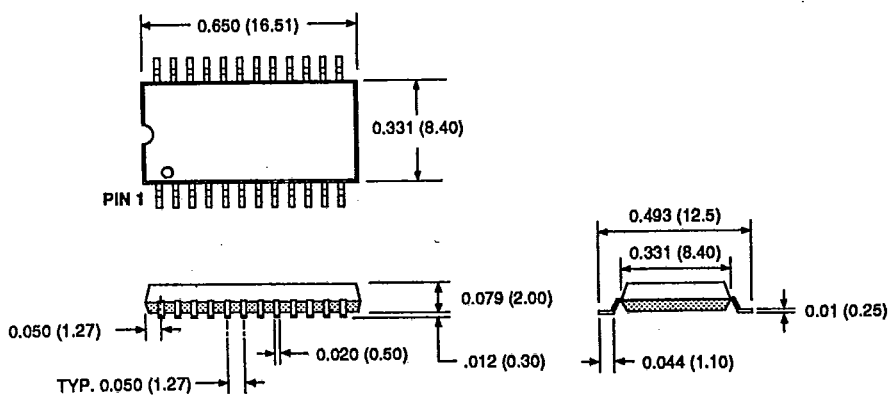
24 Lead Plastic Dual In-Line Package Type P



24 Lead Hermetic Dual In-Line Package Type D



24 Lead Plastic Small Outline Package Type S



Ordering Information

FM 1208 - 100 D C

