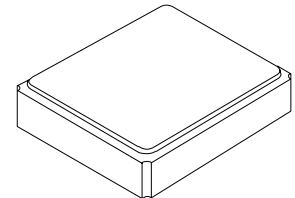


Preliminary




XTC7006

**26.00000 MHz
TCXO**



SM3225-4 Case

- **Temperature Compensated Crystal Oscillator**
- **Ultra-miniature SMD Package**
- **Excellent Frequency Stability**
- **Low Phase Noise**
- **Complies with Directive 2002/95/EC (RoHS)** 

Electrical Characteristics

Characteristic	Sym	Notes	Minimum	Typical	Maximum	Units
Nominal Frequency	F_O			26.00000		MHz
Storage Temperature Range in Tape and Reel			-30		+85	°C
Operating Temperature Range			-30		+80	°C
Power Supply Voltage	V_{DD}		2.7	3.0	3.3	V
Output Voltage with Load 10 pF 10 K Ω , V_{out}	V_{OUT}		0.8			V_{P-P}
Output Waveform			Clipped Sinewave			
Power Supply Current	I_{DD}				1.5	mA
Frequency Tolerance after Reflow			± 2 ppm maximum @ 25 ± 3 °C			
Frequency Stability versus:						
Temperature, -30 to 80 °C					± 0.5	ppm
Load Variation, 10 pF 10 K Ω $\pm 10\%$					± 0.2	ppm
Supply Voltage, 3.00 V $\pm 5\%$					± 0.2	ppm
Frequency Slope (one measurement at least every 2 °C)			± 0.3 ppm/°C maximum, -30 to 80 °C			
Start Up Time, 90% of Final RF level in V_{P-P}					2.0	ms
Harmonics					-7.0	dBc
Aging at 25 °C					± 1.0	ppm/yr
Phase Noise @ 1 kHz carrier offset					-130	dBc/Hz
Standard Shipping Quantity on 180 mm (7") Reel				1000		units
Lid Symbolization (in addition to Lot and/or Date Codes)			Line1: 7006 Line2: <u>YWWS</u>			



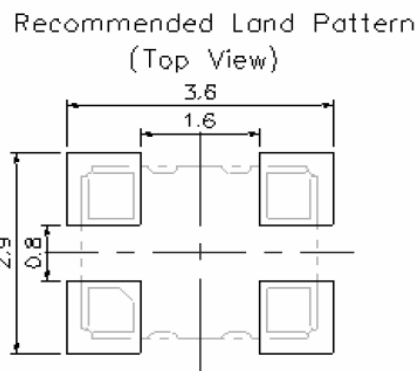
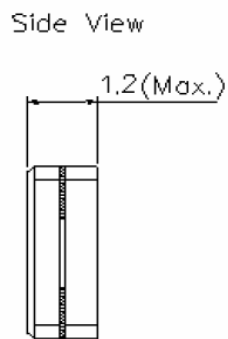
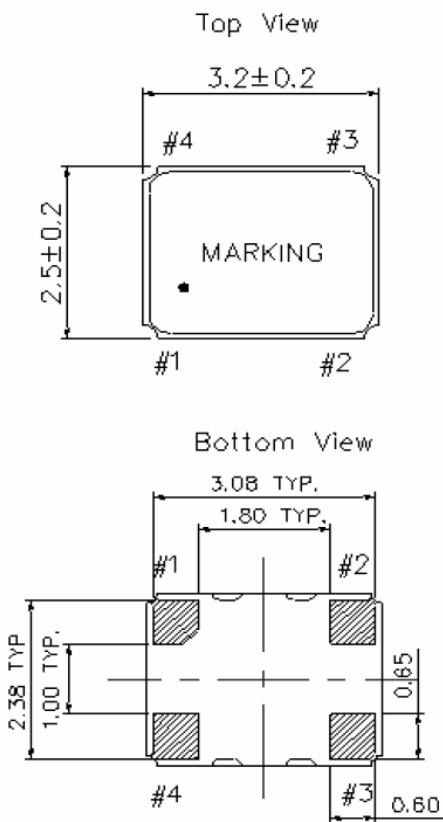
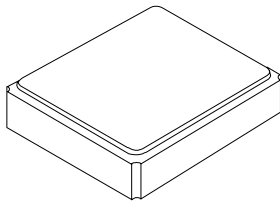
CAUTION: Electrostatic Sensitive Device. Observe precautions for handling.

Notes:

1. The design, manufacturing process, and specifications of this device are subject to change without notice.

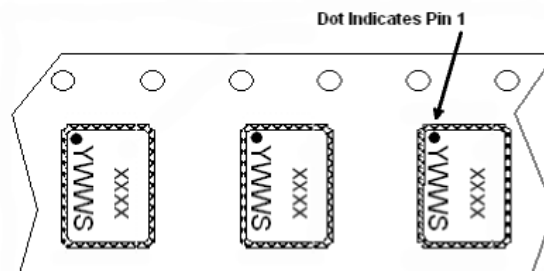
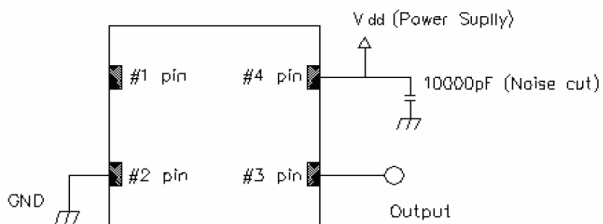
4-Terminal Surface-Mount Seam Weld Case

3.2 x 2.5 mm Nominal Footprint



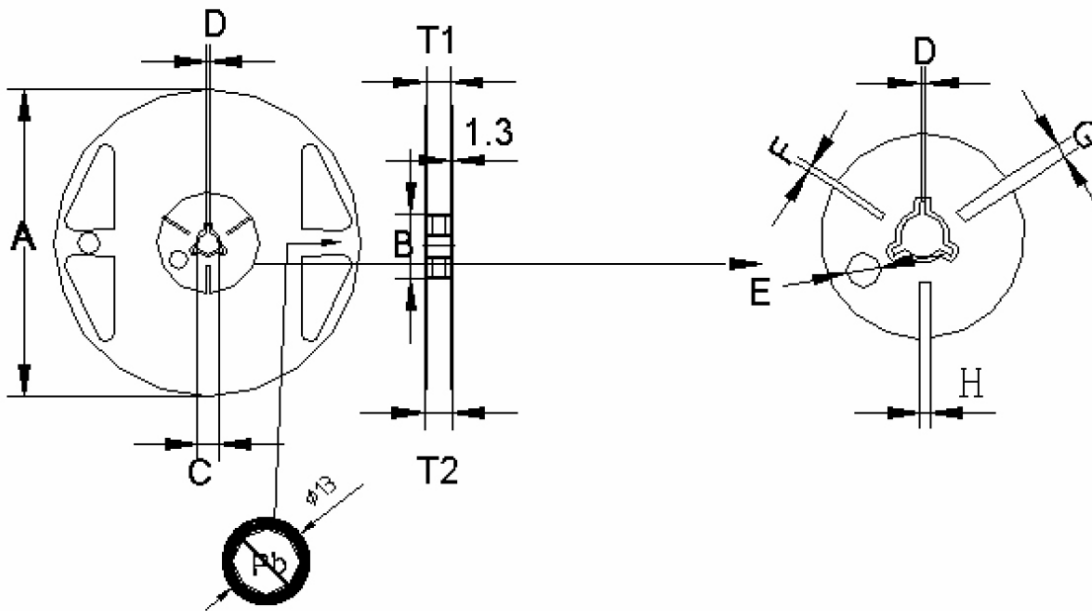
Unit : mm

Pin Out for TCXO	
Pin #	Pin Connections
1	Ground Recommended
2	Ground
3	Output
4	V _{DD}



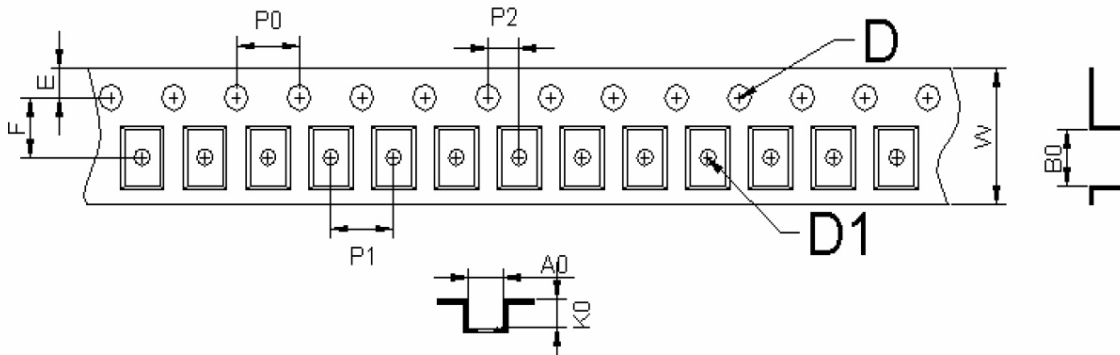
Package Orientation in Carrier Tape

Reel Dimensions



mm	A	B	C	D	E	F	G	H	T1	T2	T3
Dimension	180	60	13.0	2.0	9.1	2.9	4.9	3.9	9.0	11.4	1.2
Tolerance	±1.0	+1.0/-0.0	±0.2	±0.5	±0.5	±0.5	±0.5	±0.5	±0.3	±1.0	±0.1

Tape Dimensions



mm	A0	B0	W	F	E	P0	P1	P2	D1	D	K0	t
Dimension	2.80	3.71	8.00	3.50	1.75	4.00	4.00	2.00	1.50	1.00	1.75	0.25
Tolerance	±0.10	±0.10	+0.30/-0.10	±0.05	±0.10	±0.10	±0.10	±0.05	+0.10/-0.00	+0.25/-0.00	±0.10	±0.02