

Crimpleless Connectors for Plastic Optical Fiber and Versatile Link

Technical Data

HFBR-4531 HFBR-4532

Features

- **Requires No Crimp Ring or Crimping Tool**
- **Durable ULTEM® Plastic Material (UL File #E121562)**
- **Same Low Cost as HFBR-4501/4503 Series Connectors**
- **Excellent Retention Force**
- **Symmetry in Nonlatching Connector Gives Simplex/Duplex Functionality with the Same Part**

Applications

These connectors can be used for any application in which plastic optical fiber is used including:

- **Industrial Control and Voltage Isolation**
- **Automotive Networks**
- **Proprietary System Interconnects**
- **Gaming Equipment**
- **Medical Equipment**
- **Telecommunications**
- **Datacommunications**

Description

The HFBR-453X series connectors are an enhanced version of the HFBR-4501 and HFBR-4503 low-cost connectors for plastic optical fiber, which are compatible with Agilent's versatile link series transmitters and receivers. The innovative design uses a simple, snap-together concept which eliminates the need for crimping. This connector not only saves the user labor and tool cost, but reduces the yield loss due to installation error.

The HFBR-453X series connectors are available in two styles: latching and non-latching. For a duplex connector, two nonlatching simplex connectors can be snapped together. The connectors are made of a rugged, flame retardant plastic which is good for industrial and other harsh environments. The HFBR-453X series connectors are for use with Plastic Optical Fiber only.



Termination Guide

Step-by-Step Plastic Cable Connectoring Instructions

The following step-by-step guide describes how to terminate plastic fiber optic cable. It is ideal for both field and factory installations. Connectors can be easily installed on cable ends with standard tools such as wire strippers and cutters.

Finishing the cable is accomplished with the Agilent HFBR-4593 Polishing Kit, consisting of a polishing fixture, 600 grid abrasive paper and 3 μm pink lapping film (3M Company, OC3-14). The connector can be used immediately after polishing.

The following materials are needed for plastic fiber termination:

1. Plastic optical fiber cable
(Example: HFBR-RUD500)
2. Wire cutters or scissors
3. 16 gauge wire stripper
(Example: Ideal Stripmaster type 45-092)
4. HFBR-4593 polishing kit
(optional)
5. Crimpless connectors

Step 1: Stripping the Fiber

The zip cord structure of the duplex cable permits easy separation of the channels. The channels should be separated a minimum of 100 mm (4 in) to a maximum of 150 mm (6 in) back from the ends to permit connectoring, polishing and cable end flexibility.

After cutting the cable to the desired length, strip off approximately 7 mm (0.3 in) of the outer jacket with the 16 gauge wire strippers.



When using the duplex connector arrangement, the separated duplex cable should be stripped to roughly equal lengths on each cable end.

For the non-latching version (HFBR-4531), the same connector is used for simplex and duplex arrangement. No crimping is necessary. The top half of the connector will snap into the ferrule half to secure the fiber.



Step 2: Putting on the Connector

Place the connector on each end of the fiber, and slide the connector down until the fiber jacket stops it. The fiber should protrude *no less* than 1.5 mm (0.06 in) from the end of the connector.



To install *simplex* connectors flip the top half of the connector over and snap it into the ferrule half (with your fingers). When the top half latches inside the body of the ferrule half, proper connector-to-cable attachment is achieved.

For *duplex* connector installation place one connector on top of the other, so that the top half of each connector is over the ferrule half of the opposite connector.



Manually press connectors together in the center of the arrangement. Then latch by pressing on the sides of each connector. As with the simplex version, connectors are secured when top halves latch into the ferrule halves.

Step 3: Trimming and Polishing

Any fiber in excess of 1.5 mm (0.06 in) protruding from the connector end should be cut off with wire cutters or scissors.

Insert the connector fully into the polishing fixture with the trimmed fiber protruding from the bottom of the fixture. This plastic polishing fixture can be used to polish two simplex connectors simultaneously or one duplex connector.



Step 4: Finishing

Place the flush connector and polishing fixture on the dull side of the 3 μm pink lapping film and continue to polish the fiber in the same figure eight pattern for approximately 25 strokes. The fiber end should be flat, smooth and clean.

Note: The four dots on the bottom of the polishing fixture are wear indicators. Replace the polishing fixture when any dot is no longer visible.

Press the polishing tool down on the 600 grit abrasive paper. Polish the fiber using a figure eight pattern until the connector is flush with the bottom of the polishing fixture. Wipe the connector and fixture with a clean cloth or tissue.



HFBR-4593 Polishing Kit

Note: Use of the pink lapping film fine polishing step results in approximately 2 dB improvement in coupling performance of either a transmitter-receiver link or a bulkhead/splice over a 600 grit polish alone. This fine polish is comparable to the Agilent factory polish. The fine polishing step may be omitted for short link lengths.

HFBR-4531/4532

Absolute Maximum Ratings

Parameter	Symbol	Min.	Max.	Unit	Note
Storage Temperature	T _S	-40	85	°C	1
Operating Temperature	T _O	-40	85	°C	1
Installation Temperature	T _I	0	70	°C	1

Connector Mechanical Characteristics

Parameter	Part Number	Symbol	Min.	Typ.	Units	Temp. (°C)
Retention Force to HFBR-0501 Series	HFBR-4531	F _{R-C}	3	8	N	+25
	HFBR-4532		47	80		
Retention Force to HFBR-0508 Series	HFBR-4531		8	12		
Tensile Force, Connector to Cable	HFBR-4531	F _T	40	50		-40 to +85
	HFBR-4532					

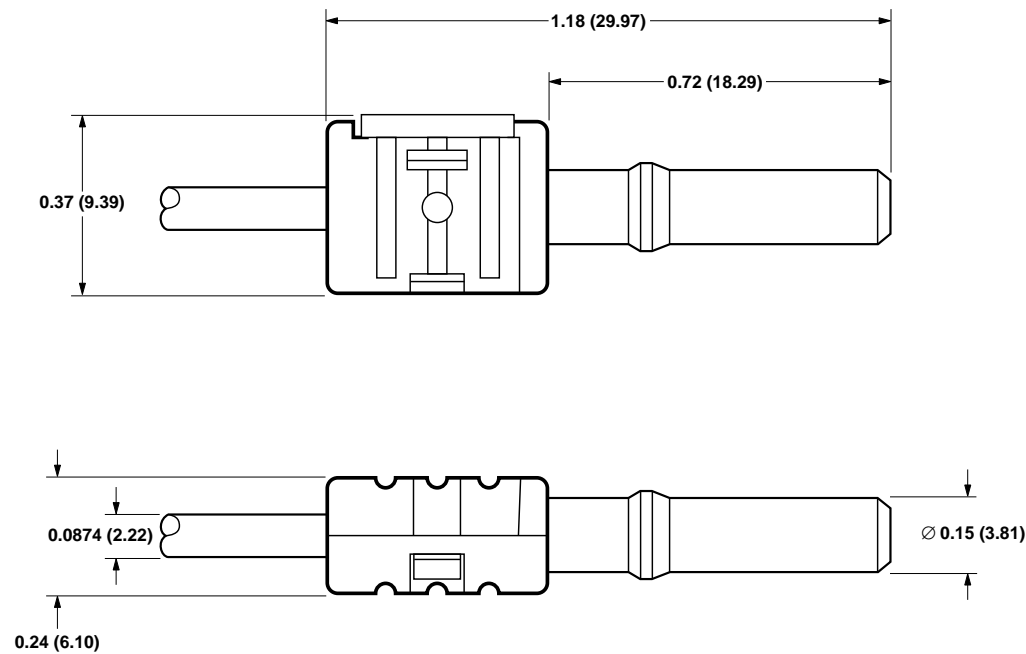
Note:

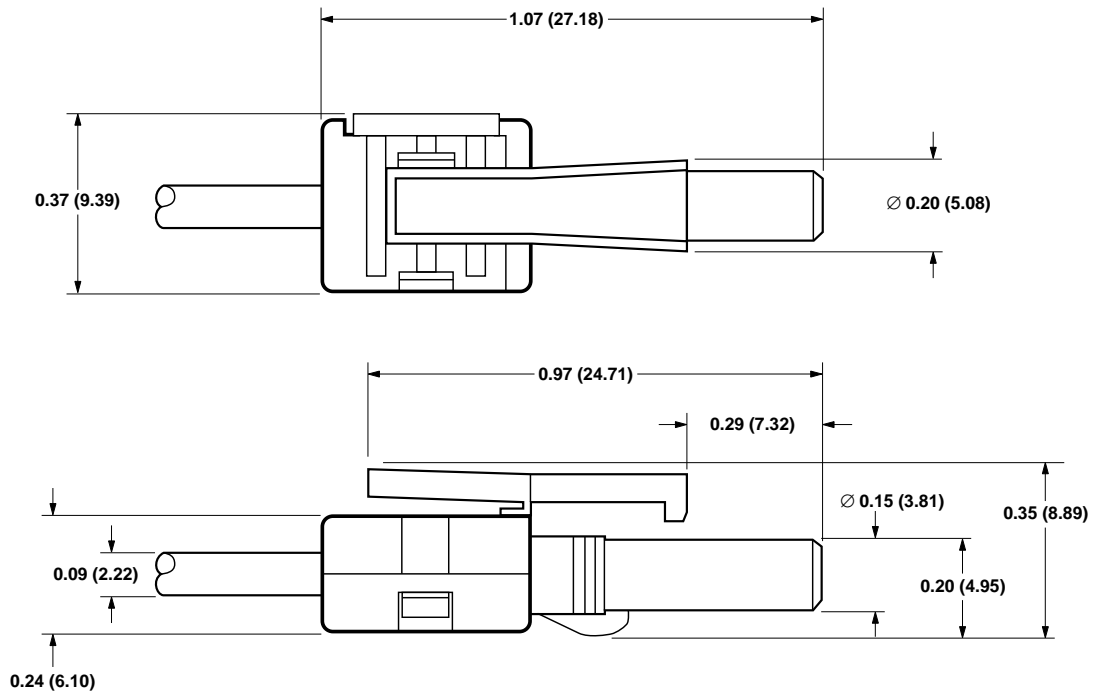
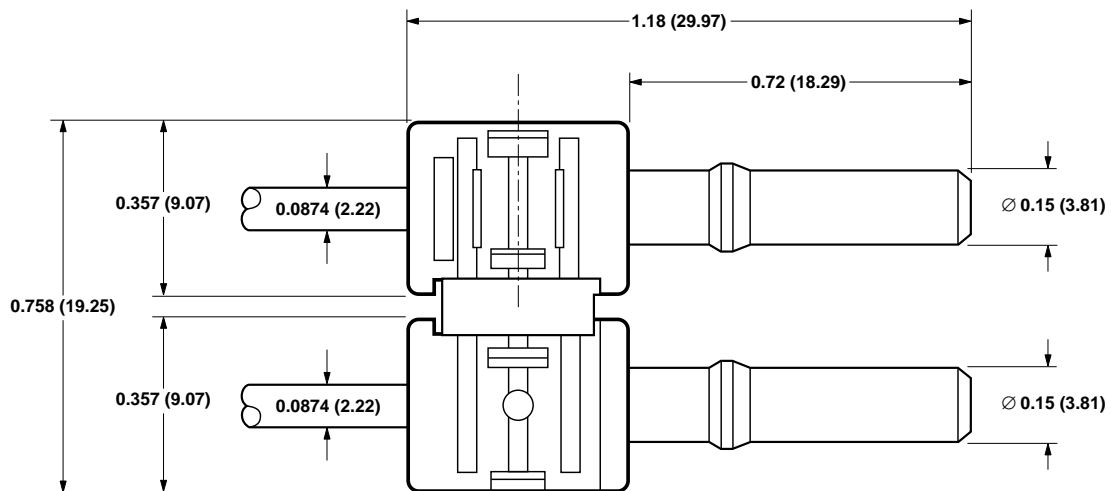
- Storage and operating temperatures refer to the ranges over which the connectors can be used when not subjected to mechanical stress. Installation temperature refers to the ranges over which connectors may be installed onto the fiber and over which connectors can be connected and disconnected from the transmitter and receiver modules.

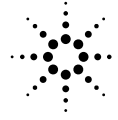
Mechanical Dimensions

All dimensions are in inches and (millimeters)

HFBR-4531 (Nonlatching):



HFBR-4532 (Latching):**HFBR-4531 in Duplex Configuration**



Agilent Technologies
Innovating the HP Way

www.semiconductor.agilent.com

Data subject to change.

Copyright © 1999 Agilent Technologies, Inc.

Obsoletes 5965-1659E (9/96)

5965-1659E (11/99)