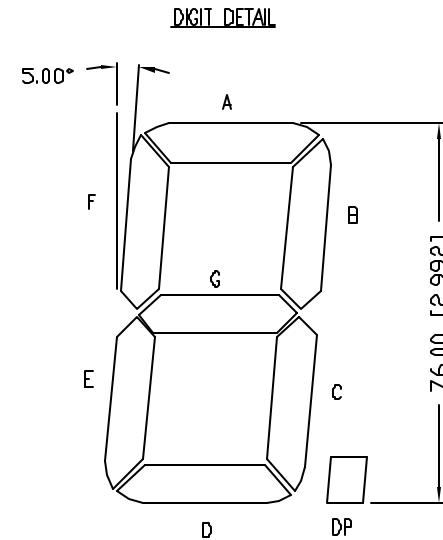
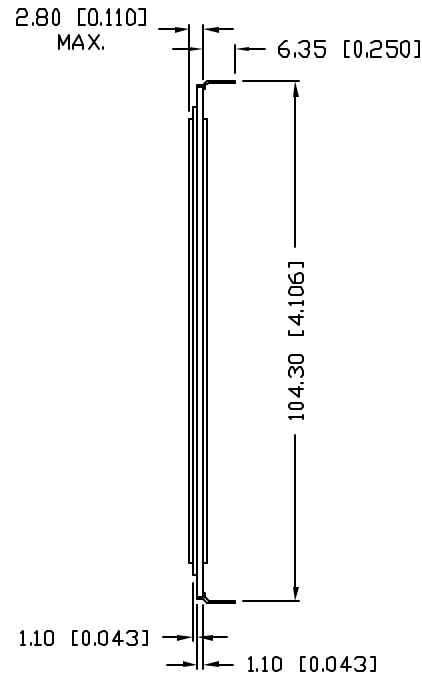
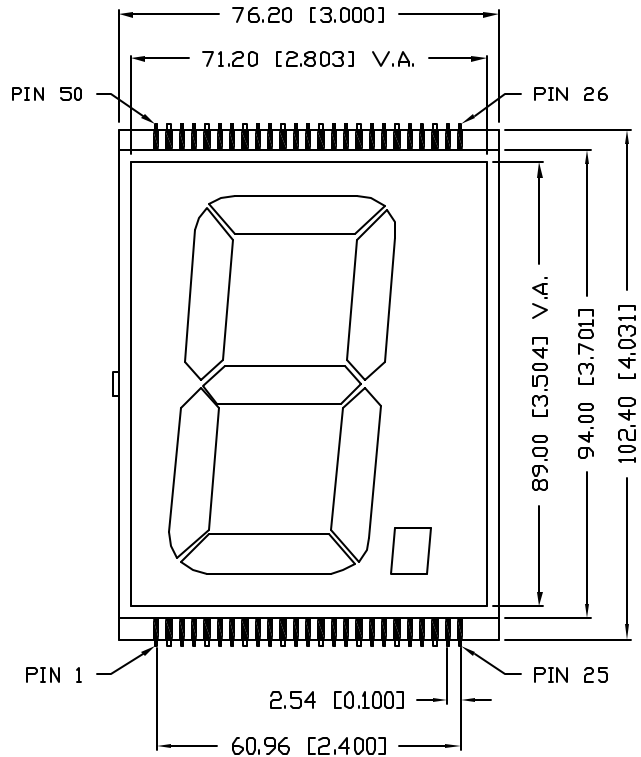


UNCONTROLLED DOCUMENT

(LX)	PART NUMBER		REV.
	LCD-S101D30TR		A
REV.	E.C.N. NUMBER AND REVISION COMMENTS		DATE
A	E.C.N. #11148.		02.08.07




PIN NO.	1-5	6-10	11-15	16-20	21-25	26-30	31-35	36-40	41-45	46-50
SEGMENT	COM	E	D	C	DP	G	B	N/C	A	F

CHARACTERISTICS	
FLUID TYPE:	TN
BACKGROUND COLOR:	GRAY
VIEWING DIRECTION:	6:00
DISPLAY MODE:	REFLECTIVE
OPERATING VOLTAGE:	3~5V A.C.
OPERATING TEMP.	0°C TO 50°C
STORAGE TEMP.	-20°C TO 70°C
DRIVING METHOD:	STATIC
CONNECTION TYPE:	50 PINS

REPLACES PART #: LCD-S299C101TR

*UNLESS OTHERWISE SPECIFIED TOLERANCES PER DECIMAL PRECISION ARE: X=±1 (±0.039), XX=±0.5 (±0.020), XXX=±0.25 (±0.010), XXXX=±0.127 (±0.005). LEAD SIZE=±0.05 (±0.002), LEAD LENGTH=±0.75 (±0.030), MIN= ^{+0.00} _{-0.00} DECIMAL PRECISION MAX.= ^{+0.00} _{-0.00} DECIMAL PRECISION

REV. A	PART NUMBER LCD-S101D30TR	<p>CONFIDENTIAL INFORMATION</p> <p>THE INFORMATION CONTAINED IN THIS DOCUMENT IS THE PROPERTY OF LUMEX INC. EXCEPT AS SPECIFICALLY AUTHORIZED IN WRITING BY LUMEX INC, THE HOLDER OF THIS DOCUMENT SHALL KEEP ALL INFORMATION CONTAINED HEREIN CONFIDENTIAL AND SHALL PROTECT SAME IN WHOLE OR IN PART FROM DISCLOSURE AND DISSEMINATION TO ALL THIRD PARTIES.</p> <p>RELIABILITY NOTE</p> <p>OUR MANY YEARS OF EXPERIENCE DATA ACCUMULATION INDICATE THAT SOLDER HEAT IS A MAJOR CAUSE OF EARLY AND FUTURE FAILURE. PLEASE PAY ATTENTION TO YOUR SOLDERING PROCESS.</p>	 <p>290 E. HELEN ROAD PALATINE, IL 60067-6976 PHONE: +1.847.359.2790 US WEB: www.lumex.com TW WEB: www.lumex.com.tw</p>
2.99" CHARACTER HEIGHT, SINGLE DIGIT LCD GLASS, TN, REFLECTIVE, 50 PINS.		DRAWN BY: JC CHECKED BY: APPROVED BY:	DATE: 11.19.98 PAGE: 1 OF 1 SCALE: N/A