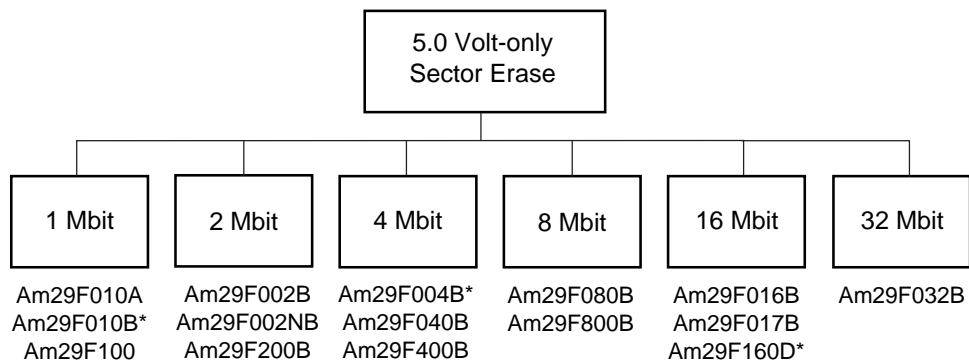
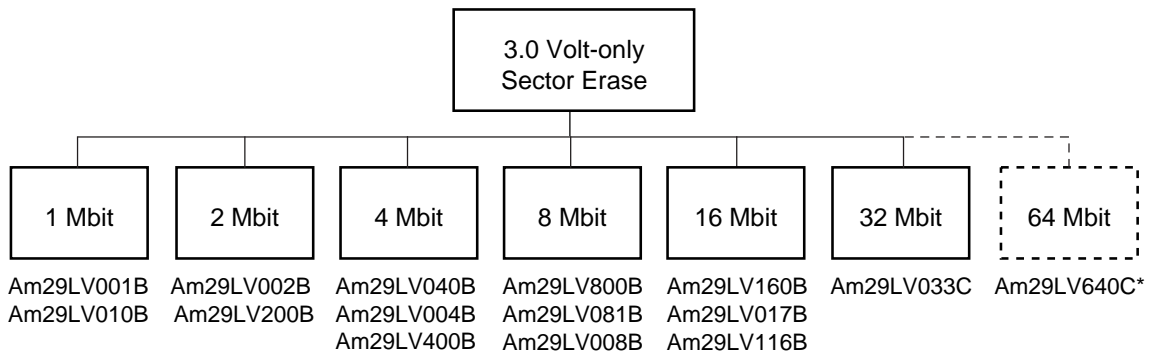
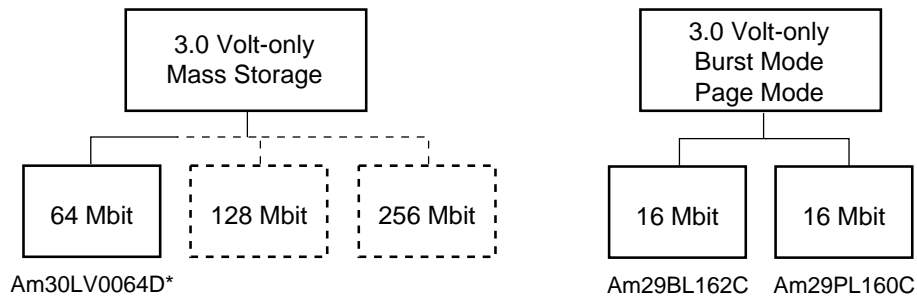
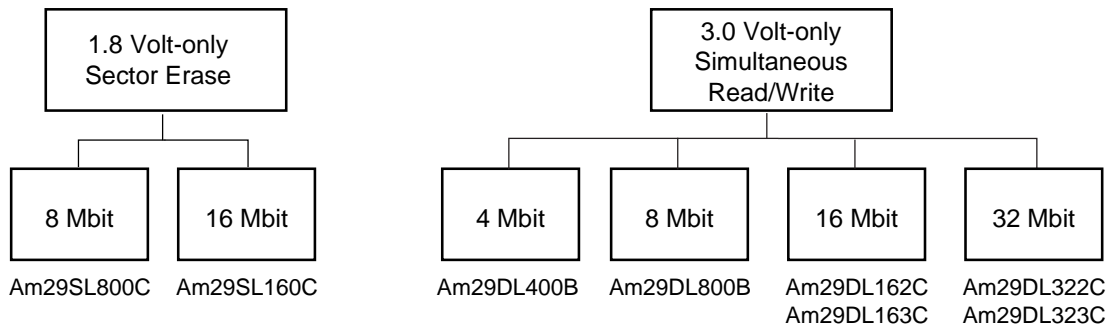


# FLASH MEMORY PRODUCT SELECTOR GUIDE



\* Contact an AMD representative for availability.

----- Future product on AMD roadmap, but not yet introduced.

Part Number	Density	Sector	Organization	Access Times (ns)	Package and Pin Count	Temp. Range	Voltage Supply
<b>3.0 Volt-only, Mass Storage Flash</b>							
Am30LV0064D*	64 Mbit	Uniform	8 M x 8	7 $\mu$ s initial, 50 ns sequential	TS 044, TSR044, FBE040	C, I	2.7–3.6 V
<b>1.8 Volt-only, Sector Erase Flash</b>							
Am29SL800C	8 Mbit	Boot	1 M x 8, 512 K x 16	100, 120, 150	TS 048, TSR048, FBB048	C, I	1.8–2.2 V
Am29SL160C	16 Mbit	Boot	2 M x 8, 1 M x 16	100, 120, 150	TS 048, FBC048	C, I	1.8–2.2 V
<b>3.0 Volt-only, Simultaneous Read/Write, Sector Erase Flash</b>							
Am29DL400B	4Mbit	Boot	512 K x 8, 256 K x 16	70	TS 048, TSR048, SO 044	C, I	2.7–3.6 V
				80, 90, 120		C, I, E	
Am29DL800B	8 Mbit	Boot	1 M x 8, 512 K x 16	70	TS 048, TSR048, SO 044, FBB048	C, I	2.7–3.6 V
				90, 120		C, I, E	
Am29DL162C	16 Mbit	Boot	2 M x 8, 1 M x 16	70, 90	TS 048, SSO056, FBC048	I	2.7–3.6 V
				120		I, E	
Am29DL163C	16 Mbit	Boot	2 M x 8, 1 M x 16	70, 90	TS 048, SSO056, FBC048	I	2.7–3.6 V
				120		I, E	
Am29DL322C	32 Mbit	Boot	4 M x 8, 2 M x 16	90	TS 048, SSO056, FBD063	I	2.7–3.6 V
				120		I, E	
Am29DL323C	32 Mbit	Boot	4 M x 8, 2 M x 16	90	TS 048, SSO056, FBD063	I	2.7–3.6 V
				120		I, E	
<b>3.0 Volt-only, Burst Mode/Page Mode Flash</b>							
Am29PL160C	16 Mbit	Boot	2 M x 8, 1 M x 16	60R, 70R	TS 048, SO 044	I	3.0–3.6 V
				70, 90, 120		I	2.7–3.6 V
Am29BL162C	16 Mbit	Boot	2 M x 8, 1 M x 16	65R, 70R	SSO056	I, E	3.0–3.6 V
				70, 90, 120		I, E	2.7–3.6 V
<b>3.0 Volt-only, Sector Erase Flash</b>							
Am29LV001B	1 Mbit	Boot	128 K x 8	45R	TS 032, TSR032, PL 032	C	3.0–3.6 V
				55, 70, 90		C, I, E	2.7–3.6 V
Am29LV010B	1 Mbit	Uniform	128 K x 8	45R	TS 032, TSR032, PL 032	C	3.0–3.6 V
				55, 70, 90		C, I, E	2.7–3.6 V
Am29LV002B	2 Mbit	Boot	256 K x 8	55R	TS 040, TSR 040	C, I	3.0–3.6 V
				70, 90, 120		C, I, E	2.7–3.6 V
Am29LV200B	2 Mbit	Boot	256 K x 8, 128 K x 16	50R, 55R	TS 048, TSR 048, SO 044	C, I	3.0–3.6 V
				70		C, I	2.7–3.6 V
				90, 120		C, I, E	2.7–3.6 V

\* Contact an AMD representative for availability

Part Number	Density	Sector	Organization	Access Times (ns)	Package and Pin Count	Temp. Range	Voltage Supply
Am29LV004B	4 Mbit	Boot	512 K x 8	70	TS 040, TSR 040	C, I	2.7–3.6 V
				90, 120		C, I, E	
Am29LV040B	4 Mbit	Uniform	512 K x 8	55R	TS32, TSR32, PL32	C, I	3.0–3.6 V
				70, 90, 120		C, I, E	2.7–3.6 V
Am29LV400B	4 Mbit	Boot	512 K x 8, 256 K x 16	50R, 55R	TS 048, TSR048, SO 044, FGA048	C, I	3.0–3.6 V
				70, 90, 120		C, I, E	2.7–3.6 V
Am29LV008B	8 Mbit	Boot	1 M x 8	70R	TS 040, TSR040	C, I	3.0–3.6 V
				80, 90, 120		C, I, E	2.7–3.6 V
Am29LV081B	8 Mbit	Uniform	1 M x 8	70	TS 040, TSR040	C, I	2.7–3.6 V
				90, 120		C, I, E	
Am29LV800B	8 Mbit	Boot	1 M x 8, 512 K x 16	70	TS 048, TSR048, SO 044, FBB048	C, I	2.7–3.6 V
				90, 120		C, I, E	
Am29LV017B	16 Mbit	Uniform	2 M x 8	70R	TS 040, TSR 040, FBC048	C	3.0–3.6 V
				80, 90, 120		C, I, E	2.7–3.6 V
Am29LV116B	16 Mbit	Boot	2 M x 8	70R	TS 040, TSR040	C	3.0–3.6 V
				80, 90, 120		C, I, E	2.7–3.6 V
Am29LV160B	16 Mbit	Boot	2 M x 8, 1 M x 16	70R	TS 048, TSR048, SO 044, FBC048	C	3.0–3.6 V
				80, 90, 120		C, I, E	2.7–3.6 V
Am29LV033C	32 Mbit	Uniform	4 M x 8	70R	TS 040, TSR040, FBD063	I	3.0–3.6 V
				90, 120		I, E	2.7–3.6 V
<b>5.0 Volt-only, Sector Erase Flash</b>							
Am29F010A, Am29F010B*	1 Mbit	Uniform	128 K x 8	45	PL 032, TS 032, TSR032	C, I, E	5 V±5%
				55, 70, 90, 120		C, I, E	5 V±10%
Am29F100	1 Mbit	Boot	128 K x 8, 64 K x 16	70, 90, 120, 150	TS 048, TSR048, SO 044	C, I, E	5 V±10%
Am29F002B, Am29F002NB	2 Mbit	Boot	256 K x 8	55	PD 032	C	5 V±5%
				55	PL 032, TS 032	C, I	
				70	PD 032, PL 032, TS 032	C, I	5 V±10%
				90, 120	PD 032, PL 032, TS 032	C, I, E	
Am29F200B	2 Mbit	Boot	256 K x 8, 128 K x 16	45	TS 048, TSR048, SO 044	C, I	5 V±5%
				50, 55		C, I, E	
				70, 90, 120		C, I, E	5 V±10%
Am29F004B*	4 Mbit	Boot	512 K x 8	55	PD 032, PL 032	I	5 V±5%
				70, 90, 120		I, E	5 V±10%
Am29F040B	4 Mbit	Uniform	512 K x 8	55	PL 032, TS 032, TSR032	C, I, E	5 V±5%
				70	PL 032, TS 032, TSR032	C, I, E	
				90, 120, 150	PD 032, PL 032, TS 032, TSR032	C, I, E	5 V±10%

\* Contact an AMD representative for availability

Part Number	Density	Sector	Organization	Access Times (ns)	Package and Pin Count	Temp. Range	Voltage Supply
<b>5.0 Volt-only, Sector Erase Flash (continued)</b>							
Am29F400B	4 Mbit	Boot	512 K x 8, 256 K x 16	45	TS 048, TSR048, SO 044	C, I	5 V±5%
				50, 55		C, I, E	
				55		C, I	5 V±10%
				70, 90, 120, 150		C, I, E	
Am29F080B	8 Mbit	Uniform	1 M x 8	75	TS 040, TSR040, SO 044	C, I	5 V±5%
				90, 120, 150		C, I, E	5 V±10%
Am29F800B	8 Mbit	Boot	1 M x 8, 512 K x 16	55, 70, 90, 120, 150	TS 040, TSR040, SO 044	C, I, E	5 V±10%
Am29F016B	16 Mbit	Uniform	2 M x 8	70	TS 048, TSR048, TS 040, TSR040, SO 044	C, I	5 V±5%
				90, 120, 150		C, I, E	5 V±10%
Am29F017B	16 Mbit	Uniform	2 M x 8	70	TS 048, TSR048, TS 040, TSR040	C, I	5 V±5%
				90, 120, 150		C, I, E	5 V±10%
Am29F160D*	16 Mbit	Boot or Uniform	2 M x 8, 4 M x 16	55	TS 048, TSR048	C, I	5 V±5%
				55, 70		C, I	
				90, 120		C, I, E	5 V±10%
Am29F032B	32 Mbit	Uniform	4 M x 8	70	TS 040, TSR040, SO 044	C, I	5 V±5%
				90, 120, 150		C, I, E	5 V±10%

\* Contact an AMD representative for availability

**Notes:**

1. Temperature Range:

C = Commercial (0° C to +70° C)

I = Industrial (-40° C to +85° C)

E = Extended (-55° C to +125° C)

2. Package Type:

FGA048 = 48-ball Fine Pitch Ball Grid Array, 6 x 8 mm package

FBB048 = 48-ball Fine Pitch Ball Grid Array, 6 x 9 mm package

FBC048 = 48-ball Fine Pitch Ball Grid Array, 8 x 9 mm package

FBD063 = 63-ball Fine Pitch Ball Grid Array, 8 x 14 mm package

FBE040 = 40-ball Fine Pitch Ball Grid Array, 8 x 14 mm package.

Contact an AMD representative for more information on this package.

PD 032 = 32-pin Plastic Dual Inline Package (PDIP)

PL 032 = 32-pin Plastic Leaded Chip Carrier (PLCC)

SO 044 = 44-pin Small Outline package (SO);

package also known as SOIC or PSOP

SSO056 = 56-pin Shrink Small Outline Package (SSOP)

TS 032, TSR032 = 32-pin standard or reversed pin-out Thin Small Outline Package (TSOP)

TS 040, TSR040 = 40-pin standard or reversed pin-out Thin Small Outline Package (TSOP)

TS 044, TSR044 = 44/40-pin standard or reversed pin-out Thin Small Outline Package II (TSOP-II)

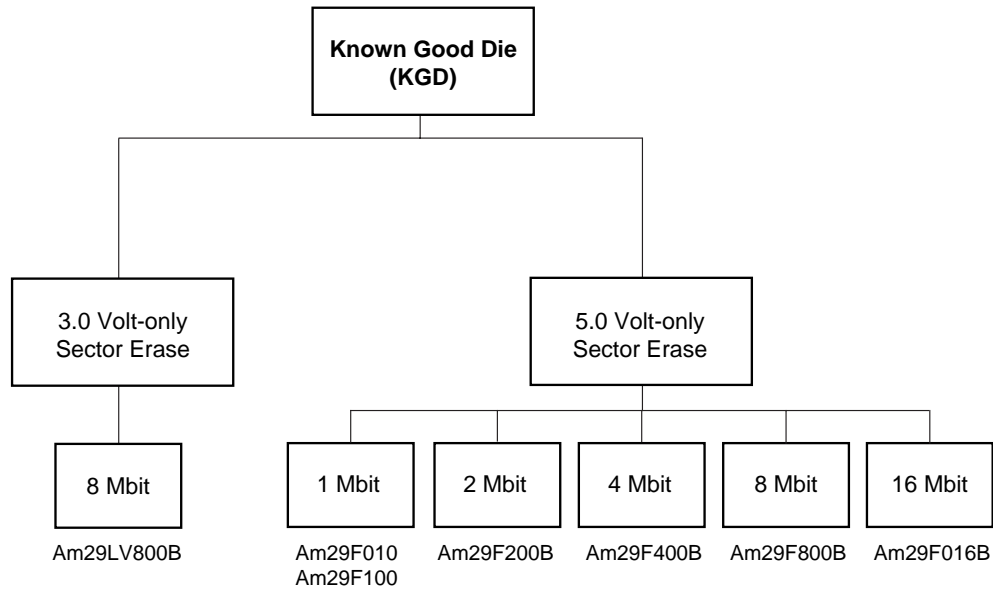
TS 048, TSR048 = 48-pin standard or reversed pin-out Thin Small Outline Package (TSOP)

TS 056, TSR056 = 56-pin standard or reversed pin-out Thin Small Outline Package (TSOP)

3. For physical dimensions on packages, see Section 10.

Product specifications for AMD 12 volt flash memories (Am28Fxxx) are available on the world wide web at <http://www.amd.com/products/nvd/techdocs/techdocs.html#12volt>.

## KNOWN GOOD DIE (KGD) PRODUCT SELECTOR GUIDE



Part Number	Density	Sector	Organization	Access Times (ns)	Pad Count	Waffle Pack Qty.	Gel-Pak <sup>®</sup> Qty.	Surftape <sup>™</sup> Qty.	Temp. Range	Voltage Supply
<b>3.0 Volt-only, Sector Erase Flash in KGD form</b>										
Am29LV800B	8 Mbit	Boot	1 M x 8, 512 K x 16	90, 120	44	140	462	2500	C, I	2.7–3.6 V
<b>5.0 Volt-only, Sector Erase Flash in KGD form</b>										
Am29F010	1 Mbit	Uniform	128 K x 8	90, 120	30	245	486	2500	C, I, E	5 V±10%
Am29F100	1 Mbit	Boot	128 K x 8, 64 K x 16	120	47	180	420	1600	C, I, E	5 V±10%
Am29F200B	2 Mbit	Boot	256 K x 8, 128 K x 16	70	42	245	486	2500	C, I, E	5 V±5%
				90, 120						5 V±10%
Am29F400B	4 Mbit	Boot	512 K x 8, 256 K x 16	70	43	140	594	2500	C, I, E	5 V±5%
				90, 120						5 V±10%
Am29F800B	8 Mbit	Boot	1 M x 8, 512 K x 16	90, 120	44	140	396	1600	C, I, E	5 V±10%
Am29F016B	16 Mbit	Uniform	2 M x 8	120	37	100	294	1600	C, I	5 V±10%