

PLEASE CHECK WWW.MOLEX.COM FOR LATEST PART INFORMATION

Part Number: [0493900002](#)
Status: **Active**
Description: 6.60mm (.259") Pitch Wire-to-Board Header, Dual Row, Vertical, 8 Circuits, Polyester Carbonate UL94V-0, Red

Documents:

[3D Model](#) [Product Specification PS-49390-001 \(PDF\)](#)
[Drawing \(PDF\)](#) [RoHS Certificate of Compliance \(PDF\)](#)

General

| | |
|----------------|--------------------------|
| Product Family | PCB Headers |
| Series | 49390 |
| Application | Wire-to-Board |
| Comments | Polarized to Mating Part |
| Product Name | N/A |

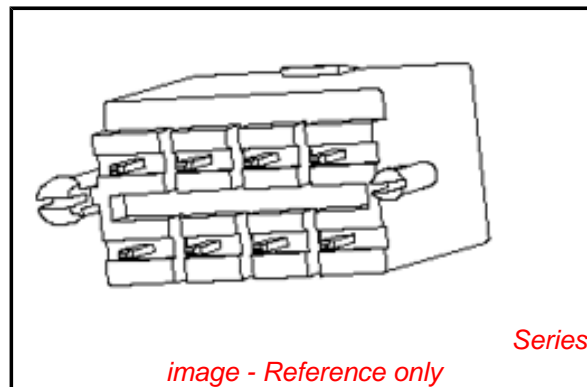
Physical

| | |
|--------------------------------|-----------------|
| Breakaway | No |
| Circuits (Loaded) | 8 |
| Circuits (maximum) | 8 |
| Durability (mating cycles max) | 30 |
| First Mate / Last Break | No |
| Glow-Wire Compliant | No |
| Guide to Mating Part | No |
| Keying to Mating Part | None |
| Lock to Mating Part | Yes |
| Material - Plating Mating | Tin |
| Material - Plating Termination | Tin |
| Number of Rows | 2 |
| Orientation | Vertical |
| PC Tail Length (in) | 0.130 In |
| PC Tail Length (mm) | 3.30 mm |
| PCB Locator | Yes |
| PCB Retention | Yes |
| Packaging Type | Bag |
| Pitch - Mating Interface (in) | 0.236 In |
| Pitch - Mating Interface (mm) | 6.00 mm |
| Pitch - Term. Interface (in) | 0.236 In |
| Pitch - Term. Interface (mm) | 6.00 mm |
| Plating min: Mating (µin) | 40 |
| Plating min: Mating (µm) | 1 |
| Plating min: Termination (µin) | 40 |
| Plating min: Termination (µm) | 1 |
| Polarized to Mating Part | No |
| Polarized to PCB | Yes |
| Shrouded | Fully |
| Stackable | No |
| Surface Mount Compatible (SMC) | No |
| Temperature Range - Operating | -40°C to +120°C |
| Termination Interface: Style | Through Hole |

Electrical

| | |
|-------------------------------|------------------|
| Current - Maximum per Contact | 0.5A |
| Voltage - Maximum | 300V AC (RMS)/DC |

Material Info



EU RoHS

ELV and RoHS Compliant
REACH SVHC
 Not Reviewed
Halogen-Free
Status
Not Reviewed

China RoHS



Need more information on product environmental compliance?

Email productcompliance@molex.com
 For a multiple part number RoHS Certificate of Compliance, [click here](#)

Please visit the [Contact Us](#) section for any non-product compliance questions.

Search Parts in this Series
[49390Series](#)

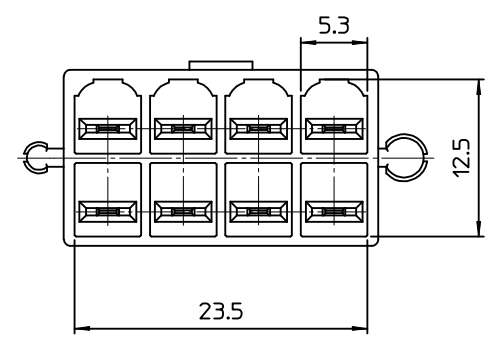
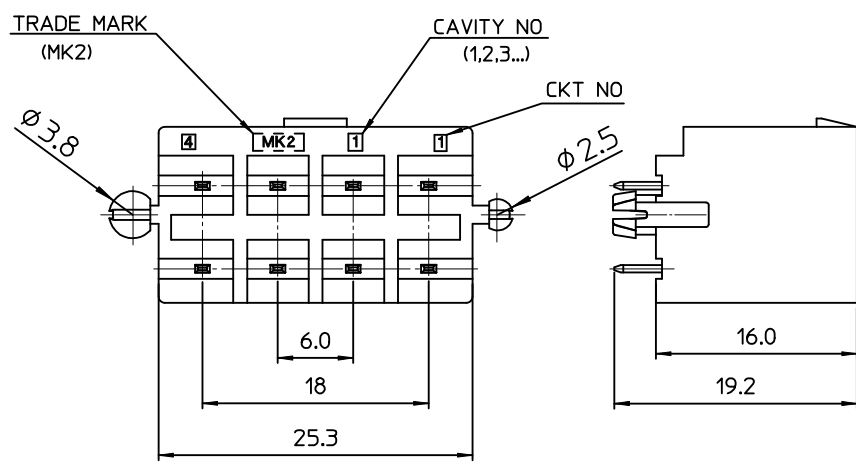
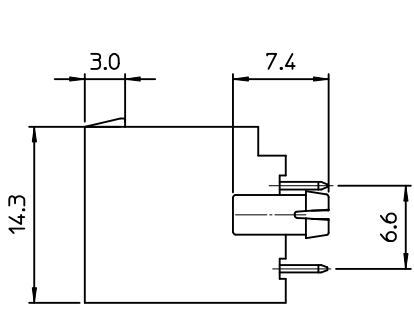
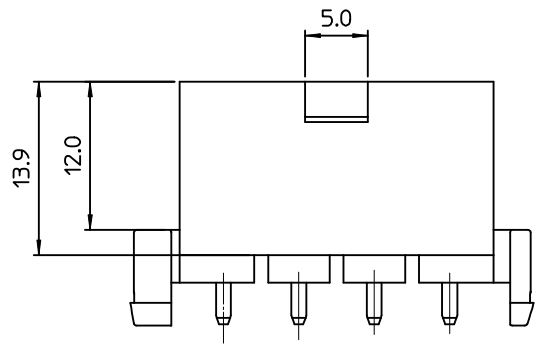
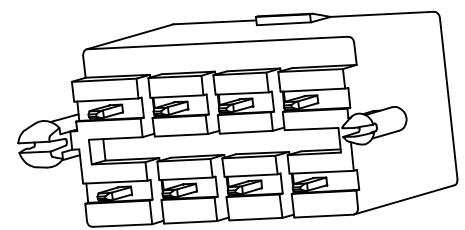
Reference - Drawing Numbers

Product Specification
Sales Drawing

PS-49390-001
SD-49390-001

This document was generated on 04/21/2010

PLEASE CHECK WWW.MOLEX.COM FOR LATEST PART INFORMATION



Notes

- 1. MATERIAL : WAFER : PC/PET UL94V-0
 ◎PIN : BRASS, PRE TIN-PLATED
- 2. COLOR : SEE TABLE
- 3. MATED HOUSING : 49391-000*
- 4. PRODUCT SPECIFICATION : PS-49390-001
- 5. PACKING SPECIFICATION : PK-49390-001

| NO. | ENG NO. | COLOR | MATERIAL |
|-----|------------|---------|---------------------|
| 1 | 49390-0001 | NATURAL | PC/PET (UL94V-0) |
| 2 | 49390-0002 | RED | |
| 3 | 49390-0004 | BLUE | |

| | | | | | | | |
|--|--------------------|--|--|--|------------------------------------|----------------------|--|
| REVISED EC NO: KOR2010-0047 DRAWN: JHPARK01 2009/09/16 CHKD: WYANG 2009/09/18 APPR: YUNSIKKIM 2009/09/18 | DESCRIPTION REV | QUALITY SYMBOLS | GENERAL TOLERANCES (UNLESS SPECIFIED) | DIMENSION STYLE | SCALE | DESIGN UNITS | THIRD ANGLE PROJECTION |
| | | ▼=0 ▽=0 | mm INCH 4 PLACES ± --- ± --- 3 PLACES ± --- ± --- 2 PLACES ± 0.2 ± --- 1 PLACE ± 0.3 ± --- ANGULAR ± 1 ° | MM ONLY | 2.5:1 | METRIC | TITLE .070 W/B CONNECTOR-8P HEADER |
| | | DRAFT WHERE APPLICABLE MUST REMAIN WITHIN DIMENSIONS | DRAWN BY JH.PARK CHECKED BY WY.YANG APPROVED BY SH.CHOI MATERIAL NO. | DATE 2006/05/30 DATE 2006/05/30 DATE 2006/05/30 | MOLEX INCORPORATED DOCUMENT NO. | SHEET NO. 1 OF 01 | |
| | | SEE TABLE | SIZE A3 | THIS DRAWING CONTAINS INFORMATION THAT IS PROPRIETARY TO MOLEX INCORPORATED AND SHOULD NOT BE USED WITHOUT WRITTEN PERMISSION | | | |