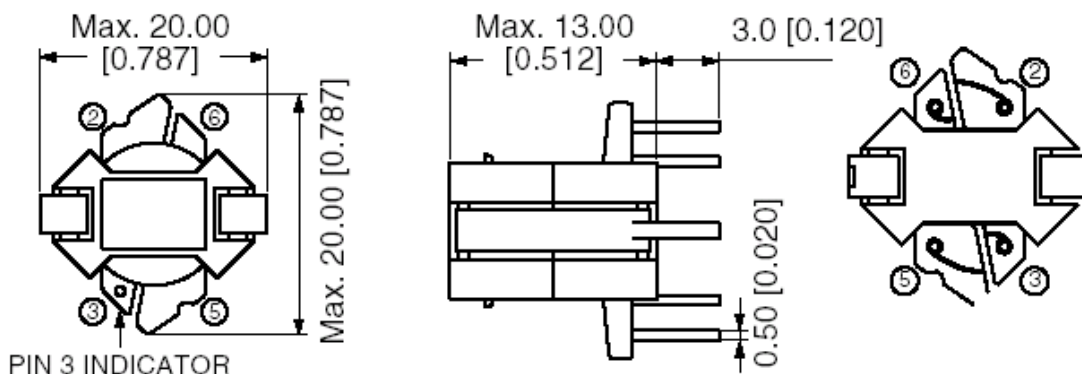
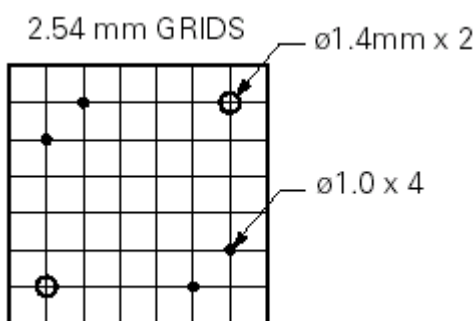
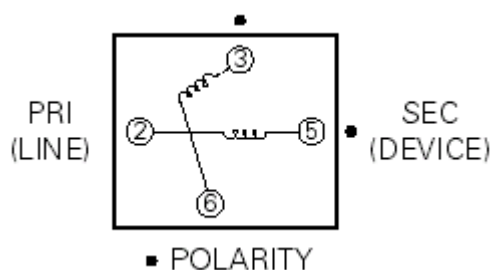


Type: RM6
◆ Product Description

- 20.0×20.0mm Max.(L×W),13.0mm Max. Height.


◆ Feature

- Excellent Longitudinal Balance.
- For use with Legerity's Itergated Voice and Data(IVD) solution.
- Customized inductance values available.
- RoHS Compliance.

◆ Dimensions (mm)

◆ Land Pattern (mm)

◆ Schematics(Bottom)

◆ Specification

Part Name	Inductance (mH)			LL 100kHz, 0.1Vac	THD 50kHz, 12.3Vrms	LB 200Hz-3200 Hz	D.C.R. (Ω) Pri/Sec
	20kHz 0.1Vac,0Adc	20kHz 0.1Vac,0.12Adc	20kHz 0.1Vac,0.23Adc				
T15101	6.44 Min.	6.30 Min.	4.0 Min.	8.0 μ H Max.	-85dB Max.	65dB Min.	11/11
T15102	8.74 Min.	8.46 Min.	4.0 Min.	8.0 μ H Max.	-85dB Max.	65dB Min.	13.6/13.6