

PLEASE CHECK WWW.MOLEX.COM FOR LATEST PART INFORMATION

Part Number: [0553475215](#)
Status: **Active**
Description: HMC™ Rectangular Industrial Male Housing, Single-Module Type, 52 Circuits

Documents:

[Drawing \(PDF\)](#) [RoHS Certificate of Compliance \(PDF\)](#)
[Product Specification PS-54478-001 \(PDF\)](#)

Agency Certification

CSA LR19980
 UL E29179

General

Product Family I/O Connectors
 Series [55347](#)
 Application Panel-Mount, Wire-to-Wire
 Component Type Housing
 Product Name HMC™
 Type N/A

Physical

Boot Color N/A
 Circuits (Loaded) N/A
 Circuits (maximum) 52
 Durability (mating cycles max) 50
 Flammability 94V-0
 Gender Male
 Lock to Mating Part Yes
 Material - Plating Mating n/a
 Number of Rows 4
 Orientation Vertical
 PCB Locator No
 Packaging Type Bag
 Panel Mount N/A
 Pitch - Mating Interface (in) 0.177 In
 Pitch - Mating Interface (mm) 4.50 mm
 Pitch - Term. Interface (in) 0.177 In
 Pitch - Term. Interface (mm) 4.50 mm
 Polarized to Mating Part No
 Polarized to PCB N/A
 Ports 1
 Surface Mount Compatible (SMC) No
 Temperature Range - Operating -40°C to +125°C
 Termination Interface: Style N/A
 Waterproof / Dustproof Yes
 Waterproof / Dustproof Type IP65

Electrical

Current - Maximum per Contact 10A
 Shielded No
 Voltage - Maximum 300V DC

Material Info

Reference - Drawing Numbers

Product Specification PS-54478-001
 Sales Drawing SD-55347-5215

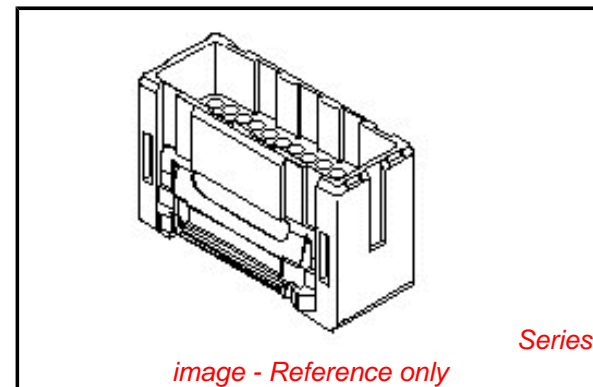


image - Reference only

EU RoHS

**ELV and RoHS
 Compliant**
REACH SVHC
 Not Reviewed
**Halogen-Free
 Status**
Not Reviewed

China RoHS



**Need more information on product
 environmental compliance?**

Email productcompliance@molex.com
 For a multiple part number RoHS Certificate of
 Compliance, [click here](#)

Please visit the [Contact Us](#) section for any
 non-product compliance questions.

Search Parts in this Series

[55347Series](#)

Mates With

[54478-5215](#) housing

Use With

[58783-0010](#) panel-mount bracket, [55124](#)
 terminal, [58782-0010](#) hood bracket

This document was generated on 04/02/2010

PLEASE CHECK WWW.MOLEX.COM FOR LATEST PART INFORMATION

E

D

C

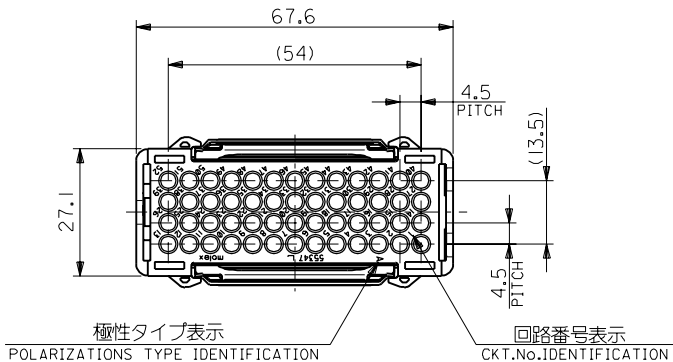
B

A

MM DIMENSIONS IN METRIC DO NOT SCALE DRAWING

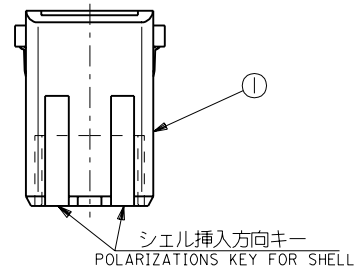
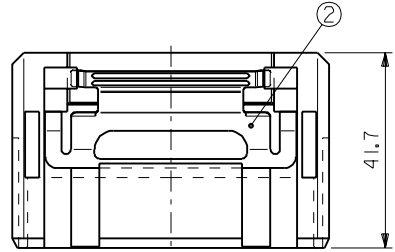
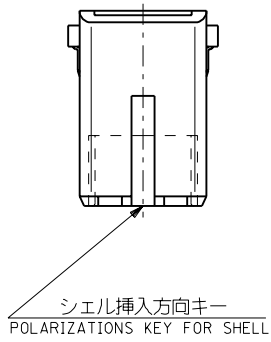
8 7 6 5 4 3 2 1

電線挿入側
WIRE SIDE

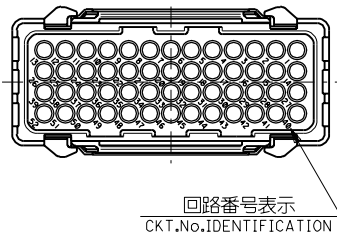


M+

- NOTES
- 嵌合相手 : 54478-5215
MATES WITH : 54478-5215
 - 適用端子 : 55124-4***
APPLICABLE PIN CONTACT : 55124-4***
 - 適用シェルアッセンブリ
APPLICABLE SHELL ASS'Y
 プラグ : 58782-0010
 PLUG : 58782-0010
 リセプタクル : 58783-0010
 RECEPTACLE : 58783-0010



嵌合側
MATING SIDE



②	スプリング SPRING	ステンレス STAINLESS STEEL	2	55347-5215	52
①	メイルハウジング アッセンブリ MALE HOUSING ASS'Y	ポリカーボネイト UL94V-0 グレー POLYCARBONATE UL94V-0 GRAY	1		
部番 NO.	部品名 PARTS NAME	材質 MATERIAL	個数 QUAN.	製品番号 ENG. NO.	極数 CKTS.

角度 ANGLE		±3°	材料 MATERIAL		表参照 SEE TABLE
30以上 OVER	±0.3		仕上げ FINISH		—#
10以上 30未満 OVER UNDER	±0.25		適用電線範囲 WIRE RANGE		—#
10未満 UNDER	±0.2		被覆外径 INS. RANGE		—#
公差 TOLERANCES			DRAWN BY	CHK'D BY	
記号 LTR	変更内容 REVISION RECORD	DR. DATE	APP'D. DATE	尺度 SCALE	1-1
①	◇×◇◇ RELEASED (J090683)	J.M. Y.1	98/11/06		

MOLEX MOLEX-JAPAN CO.,LTD.
日本モレックス株式会社

REVISE ONLY ON CAD SYSTEM

TITLE 名称
ROBOT CONN.
MALE HS'G ASS'Y
(嵌合極性タイプ A)
(MATING POLARIZATIONS TYPE A)

DWG. NO. SD-55347-5215

REV 0

8 7 6 5 4 3 2 1

S553475A.DGN