

**APPLICATIONS:**

- Set Top Box
- Satellite Dish

## BS1H1UP108L/ BS1H1UP208L Low Noise Block Down-Converter

**FEATURES**

- Feed-horn input component (matched numerical angle: 78°)
- Receiving frequency range 12.2 GHz to 12.7 GHz
- Local oscillation frequency 11.25 GHz
- Output component F-type female connector
- Nominal output impedance 75 Ω
- Supply voltage 11.8 V to 19 V (omitting 14 V to 16.0 V)
- IF output overlapping power supply system
- Exterior material diecast aluminum
- Weight 320 ±25 g
- SW method for L/R LNB voltage comparator

- Operating temperature -34.4°C to +65.5°C
- Storage temperature -40.0°C to +71.1°C
- Operating and storage humidity 0% to 95% RH at 37.8°C
- Ambient pressure  $(1.01 \pm 0.3) \times 10^5$  Pa (0.7 – 1.3 atm)

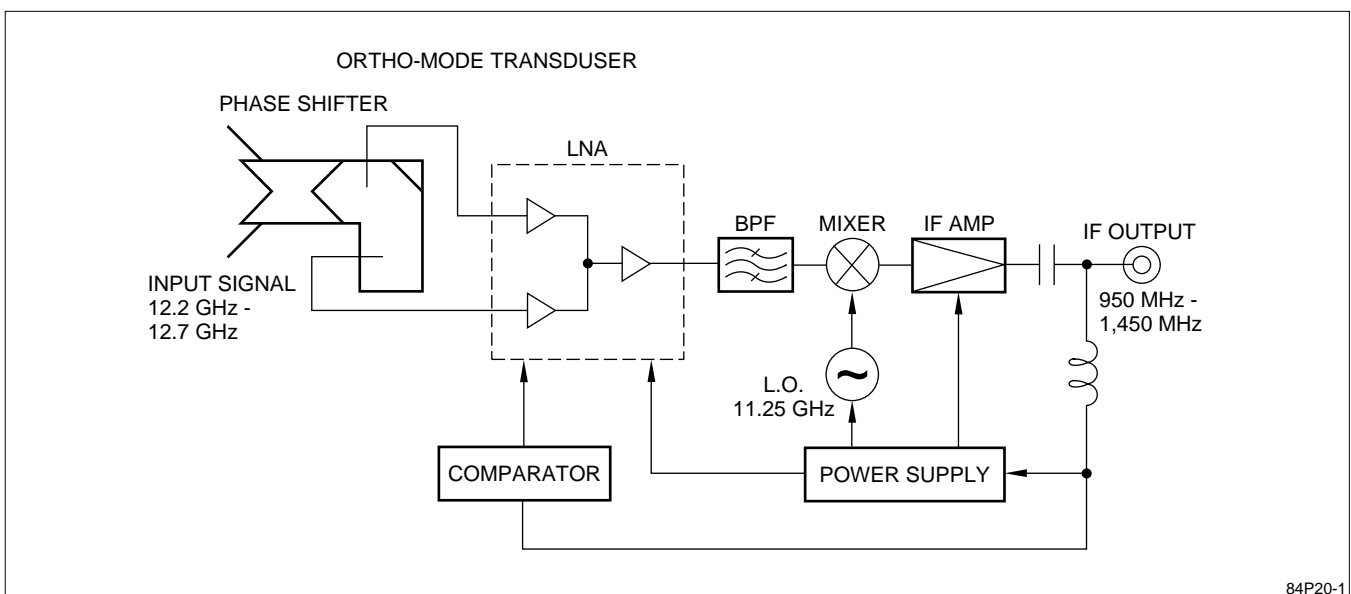
**DESCRIPTION**

The BS1H1UP108L/208L is a Low Noise Block Down-Converter used in combination with an antenna for Ku band. This converter can receive both left or right hand circularly polarized signals by electrical switching.

**COMPOSITION**

DESCRIPTION	MATERIAL	COLOR	REMARKS
Label	PET		
Output Connector	Zn Alloy Die Castings		F-type
Horn-Cap	Poly-propylene	Semitransparent White	
Feed-Horn	Al Alloy Die Castings	Gray	Covered Resin
Converter	Al Alloy Die Castings	Gray	Covered Resin

**BLOCK DIAGRAM**



84P20-1