

THIS DRAWING IS UNPUBLISHED.

RELEASED FOR PUBLICATION

© COPYRIGHT

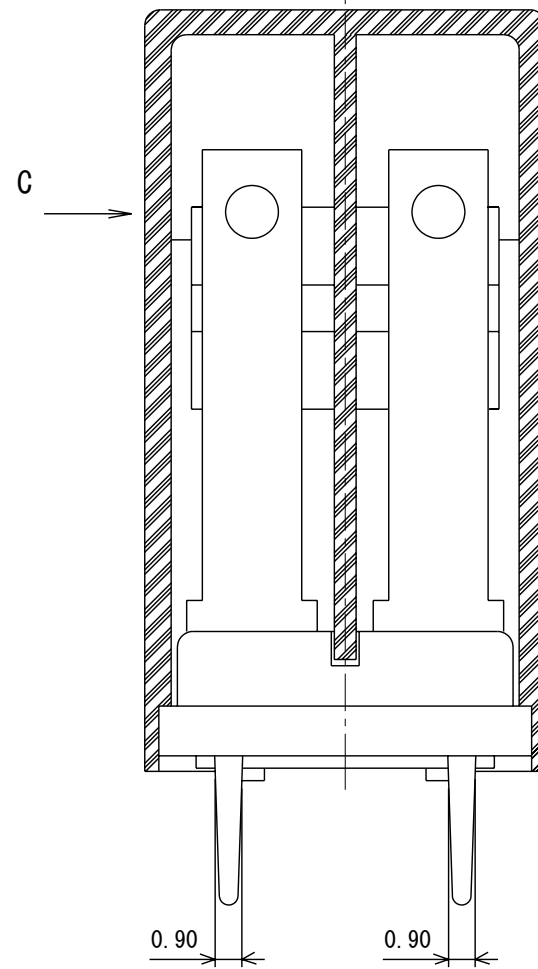
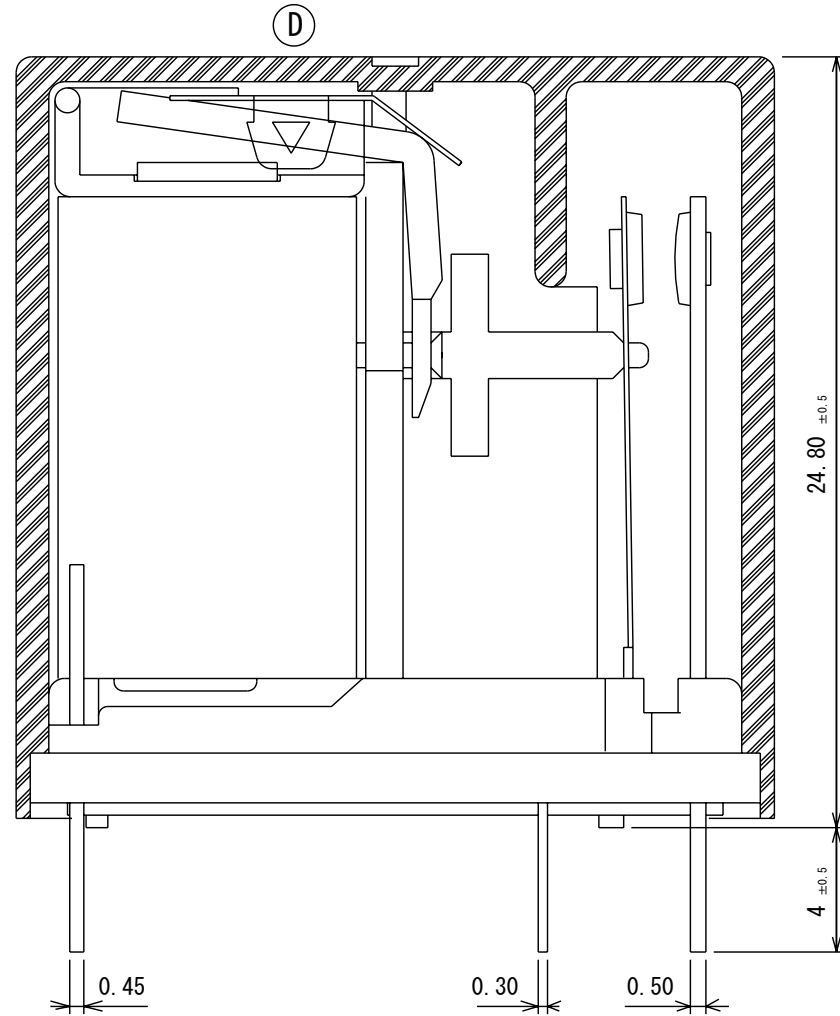
BY TYCO ELECTRONICS CORPORATION. ALL RIGHTS RESERVED.

LOC
HH

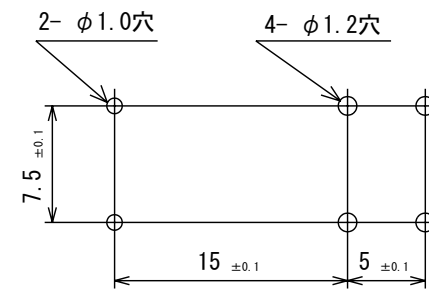
DIST

REVISIONS
変更

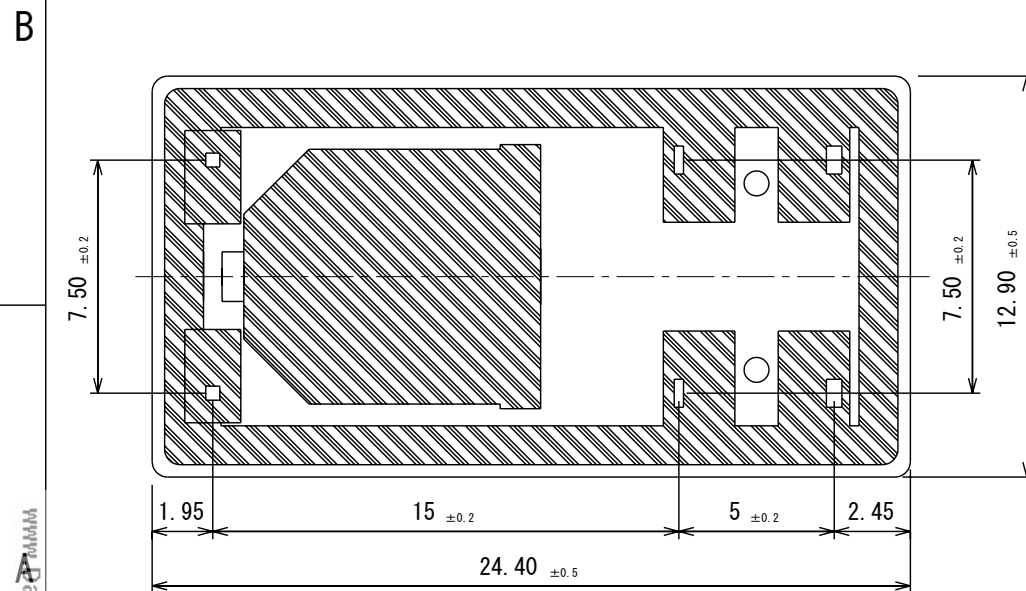
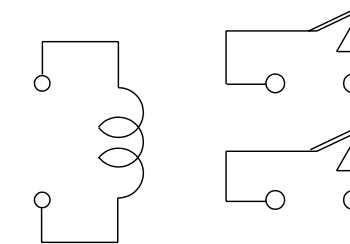
P	LTR	DESCRIPTION	ECN	DATE	DWN	APVD
	D	CHANGE DIMENSION&HOLE SHAPE OF HINGE&ADD TYPE	ECO-06-017047	28-MAR-06	H. S	A. N



DRILLING DIAGRAM (BOTTM VIEW)
プリント基板加工図：底面図 (2/1)



CONNECTION DIAGRAM (BOTTM VIEW)
接続図



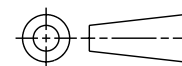
TOLERANCE

Diagram dimension	Tolerance
max. 1mm	±0.1mm
1 - 3mm	±0.2mm
min. 3mm	±0.3mm

THIS DRAWING IS A CONTROLLED DOCUMENT FOR TYCO ELECTRONICS CORPORATION
IT IS SUBJECT TO CHANGE AND THE CONTROLLING ENGINEERING ORGANIZATION
SHOULD BE CONTACTED FOR THE LATEST REVISION.

DIMENSIONS:

単位：mm



TOLERANCES UNLESS OTHERWISE SPECIFIED:

- 0 PLC ±
- 1 PLC ±
- 2 PLC ±
- 3 PLC ±
- 4 PLC ±
- ANGLES ±

MATERIAL

材料

FINISH

仕上

DWN H. SASAKI

CHK Y. OIKAWA

APVD A. NAGAI

PRODUCT SPEC

製品規格

APPLICATION SPEC

取付適用規格

WEIGHT

CUSTOMER DRAWING



Tyco Electronics EC K. K.
Tochigi, Japan

NAME

名称

OSA-SS-DM5,000,000M

SIZE

A3

CAGE CODE

00779

DRAWING NO

番号

5-1419124-7

RESTRICTED TO

-

SCALE

尺度

4 : 1

SHEET

1

OF

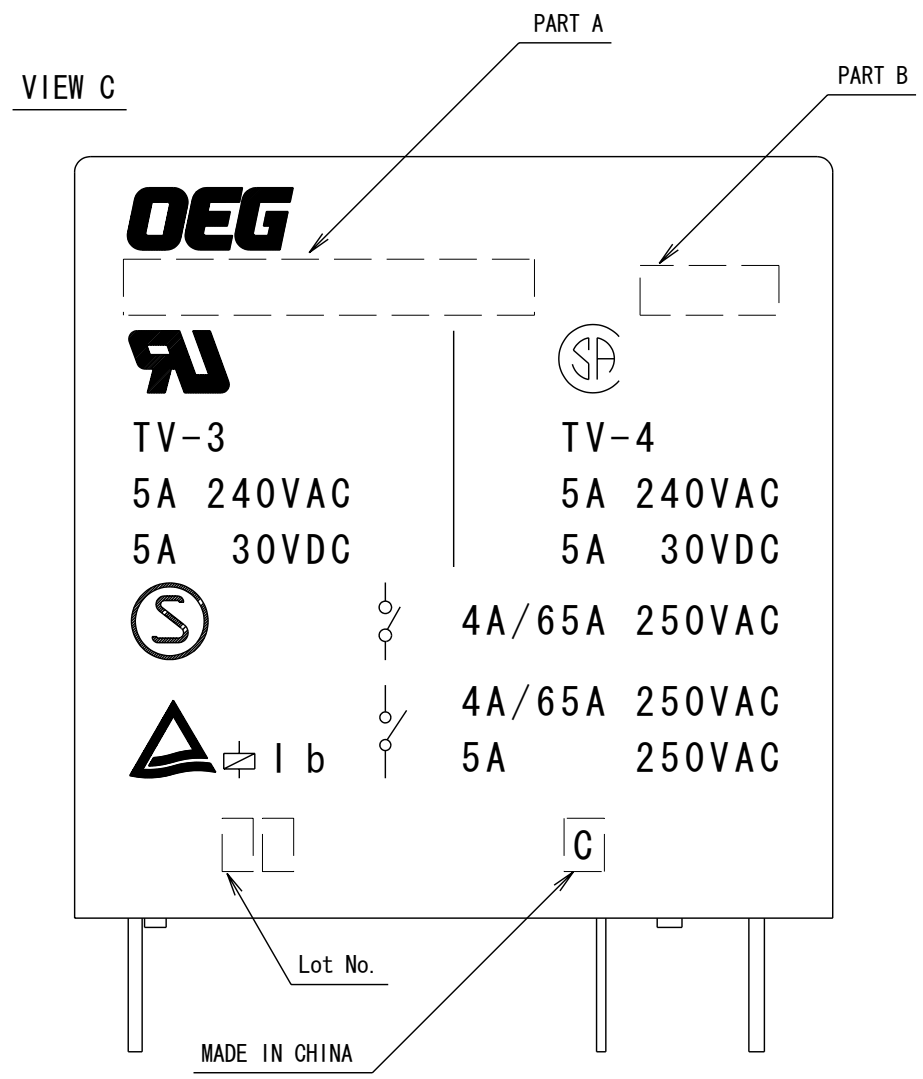
2

REV

D

THIS DRAWING IS UNPUBLISHED. RELEASED FOR PUBLICATION
 © COPYRIGHT BY TYCO ELECTRONICS CORPORATION. ALL RIGHTS RESERVED.

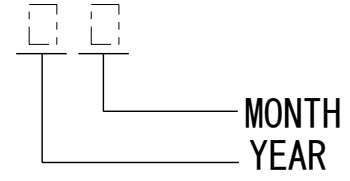
LOC	DIST	REVISIONS						
		P	LTR	DESCRIPTION	ECN	DATE	DWN	APVD
HH								



D	9-1440001-1	OSA-SS-224DM5 , 600	24VDC	OSA-SS-224DM5	o
D	9-1440001-0	OSA-SS-218DM5 , 600	18VDC	OSA-SS-218DM5	n
D	8-1440001-9	OSA-SS-212DM5 , 600M	12VDC	OSA-SS-212DM5	m
D	8-1440001-8	OSA-SS-212DM5 , 600	12VDC	OSA-SS-212DM5	l
D	8-1440001-7	OSA-SS-209DM5 , 600	9VDC	OSA-SS-209DM5	k
D	8-1440001-6	OSA-SS-206DM5 , 600	6VDC	OSA-SS-206DM5	j
D	8-1440001-5	OSA-SS-205DM5 , 600	5VDC	OSA-SS-205DM5	i
	1461388-9	OSA-SS-248DM5 , 000	48VDC	OSA-SS-248DM5	h
	6-1419124-1	OSA-SS-224DM5 , 000	24VDC	OSA-SS-224DM5	g
	3-1419145-6	OSA-SS-218DM5 , 000	18VDC	OSA-SS-218DM5	f
	3-1419145-5	OSA-SS-212DM5 , 000M	12VDC	OSA-SS-212DM5	e
	5-1419124-7	OSA-SS-212DM5 , 000	12VDC	OSA-SS-212DM5	d
	3-1419145-4	OSA-SS-209DM5 , 000	9VDC	OSA-SS-209DM5	c
	5-1419124-5	OSA-SS-206DM5 , 000	6VDC	OSA-SS-206DM5	b
	5-1419124-3	OSA-SS-205DM5 , 000	5VDC	OSA-SS-205DM5	a
	PART NO	EC TYPE NAME	PART B	PART A	ITEM

RELAY TYPE																			
AR	AR	AR	AR	AR	AR	AR	AR	AR	AR	AR	AR	AR	AR	AR	94V-0	EPOXY RESIN	SEAL	14	
1	1	1	1	1	1	1	1	1	1	1	1	1	1	1	94V-0	PBT	CASE	13	
1	1	1	1	1	1	1	1	1	1	1	1	1	1	1	94V-0	PA66	CARD	12	
2	2	2	2	2	2	2	2	2	2	2	2	2	2	2		Ag ALLOY	STATIONARY CONTACT	11	
2	2	2	2	2	2	2	2	2	2	2	2	2	2	2		Cu ALLOY	STATIONARY TERMINAL	10	
2	2	2	2	2	2	2	2	2	2	2	2	2	2	2		Ag ALLOY	MOVABLE CONTACT	9	
2	2	2	2	2	2	2	2	2	2	2	2	2	2	2		Cu ALLOY	MOVABLE SPRING	8	
1	1	1	1	1	1	1	1	1	1	1	1	1	1	1		Cu-Ni PLATED	STEEL	ARMATURE	7
1	1	1	1	1	1	1	1	1	1	1	1	1	1	1		Cu-Ni PLATED	STEEL	CORE	6
1	1	1	1	1	1	1	1	1	1	1	1	1	1	1		PBS	HINGE SPRING	5	
1	1	1	1	1	1	1	1	1	1	1	1	1	1	1		Ni PLATED	STEEL	YOKE	4
AR	AR	AR	AR	AR	AR	AR	AR	AR	AR	AR	AR	AR	AR	AR		UEW	MAGNETIC WIRE	3	
2	2	2	2	2	2	2	2	2	2	2	2	2	2	2		CP WIRE	COIL TERMINAL	2	
1	1	1	1	1	1	1	1	1	1	1	1	1	1	1	94V-0	PBT	BOBBIN	1	
o	n	m	l	k	j	i	h	g	f	e	d	c	b	a	INCOMBUSTIBILITY	TREATMENT	MATERIAL	DESCRIPTION	ITEM

NOTE:
 1. LOT NO SYSTEM AS FOLLOWS:



THIS DRAWING IS A CONTROLLED DOCUMENT FOR TYCO ELECTRONICS CORPORATION
 IT IS SUBJECT TO CHANGE AND THE CONTROLLING ENGINEERING ORGANIZATION
 SHOULD BE CONTACTED FOR THE LATEST REVISION.

DIMENSIONS: 單位: 耗 mm	TOLERANCES UNLESS OTHERWISE SPECIFIED: 0 PLC ± 1 PLC ± 2 PLC ± 3 PLC ± 4 PLC ± ANGLES ±	DWN	Tyco Electronics EC K.K. Tochigi, Japan	
	MATERIAL 材料	CHK	NAME 名称	
		APVD	(C1) OSA-SS-DM5,000 ,000M	
FINISH 仕上	-	PRODUCT SPEC 製品規格	SIZE	CAGE CODE
		APPLICATIION SPEC 取付適用規格	A3	00779
-		WEIGHT	DRAWING NO 番号	RESTRICTED TO
-		CUSTOMER DRAWING	5-1419124-7	-
-		SCALE 尺度	SHEET 張	REV D
-		4 : 1	2 OF 2	D